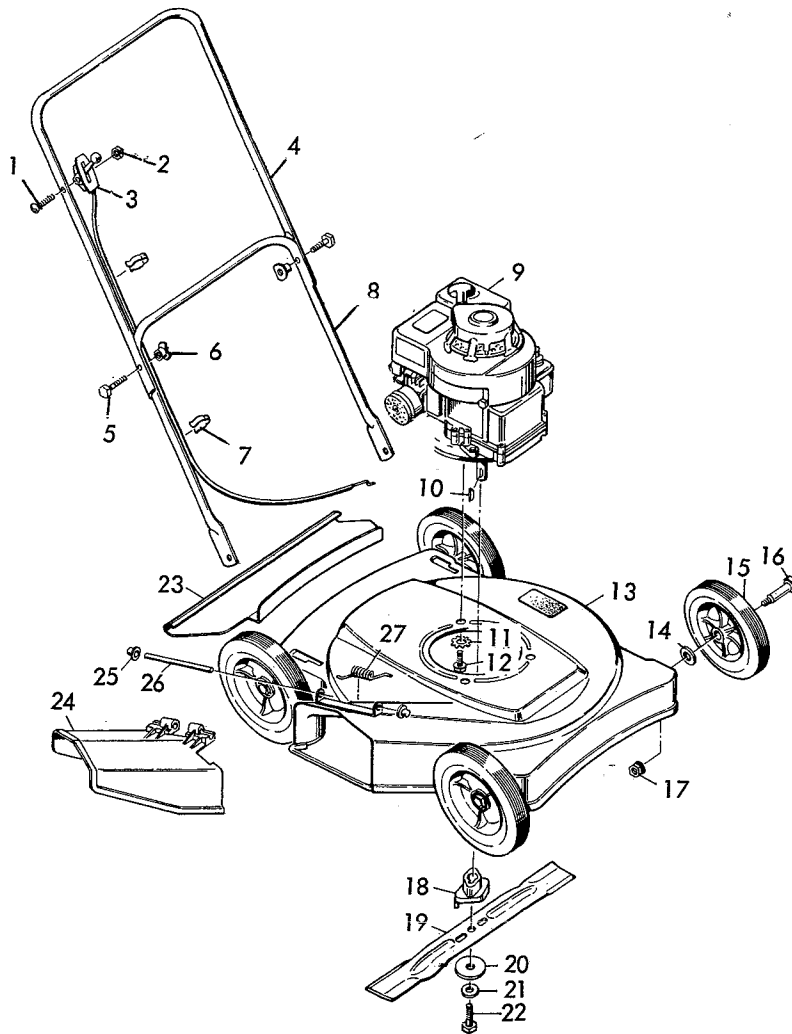


2-2001 20" Equipped Rotary Mower



ITEM NO.	MODEL 2-2001 PART NO.	DESCRIPTION	LIST PRICE EACH	ITEM NO.	MODEL 2-2001 PART NO.	DESCRIPTION	LIST PRICE EACH
1	3x137	Screw	.20	15	20270	Wheel & Tire	2.62
2	15x66	Lock Nut	.25	16	20086	Axle Bolt	.28
3	22056	Control Assy.	1.80	17	15x68	Flange Nut	.20
4	20437C	Upper Handle Assy.	2.36	18	20050	Blade Adapter	2.33
5	20412	Bolt	.20	19	20045	Blade	4.03
6	20410	T-Nut	.20	20	20094Z	Washer	.25
7	20089	Cable Clip	.26	21	17x101	Cup Washer	.41
8	20438C	Lower Handle Assy.	1.85	22	1x68	Adapter Bolt	.20
9	Engine	See Note*	- - -	23	20451	Rear Guard Panel	1.50
10	20062	Woodruff Key	.30	24	20454	Chute Deflector	1.16
11	19x8	Shakeproof Washer	.20	25	28x42	Push-On-Cap	.20
12	20103	Engine Bolt	.33	26	22050Z	Pivot Pin	.20
13	22074	Housing Assy.	13.93	27	22052	Torsion Pin	.20
14	10851Z	Washer	.20				

*NOTE: Your Engine Model, Type & Code Number is stamped on the Blower Housing. All parts pertaining to this engine are available from the Briggs and Stratton Parts and Service Station listed in the yellow pages of the classified Telephone directory.

IMPORTANT: To insure proper replacement parts always specify Model Number shown on mower model nameplate with Part Number and Part Name of item desired.