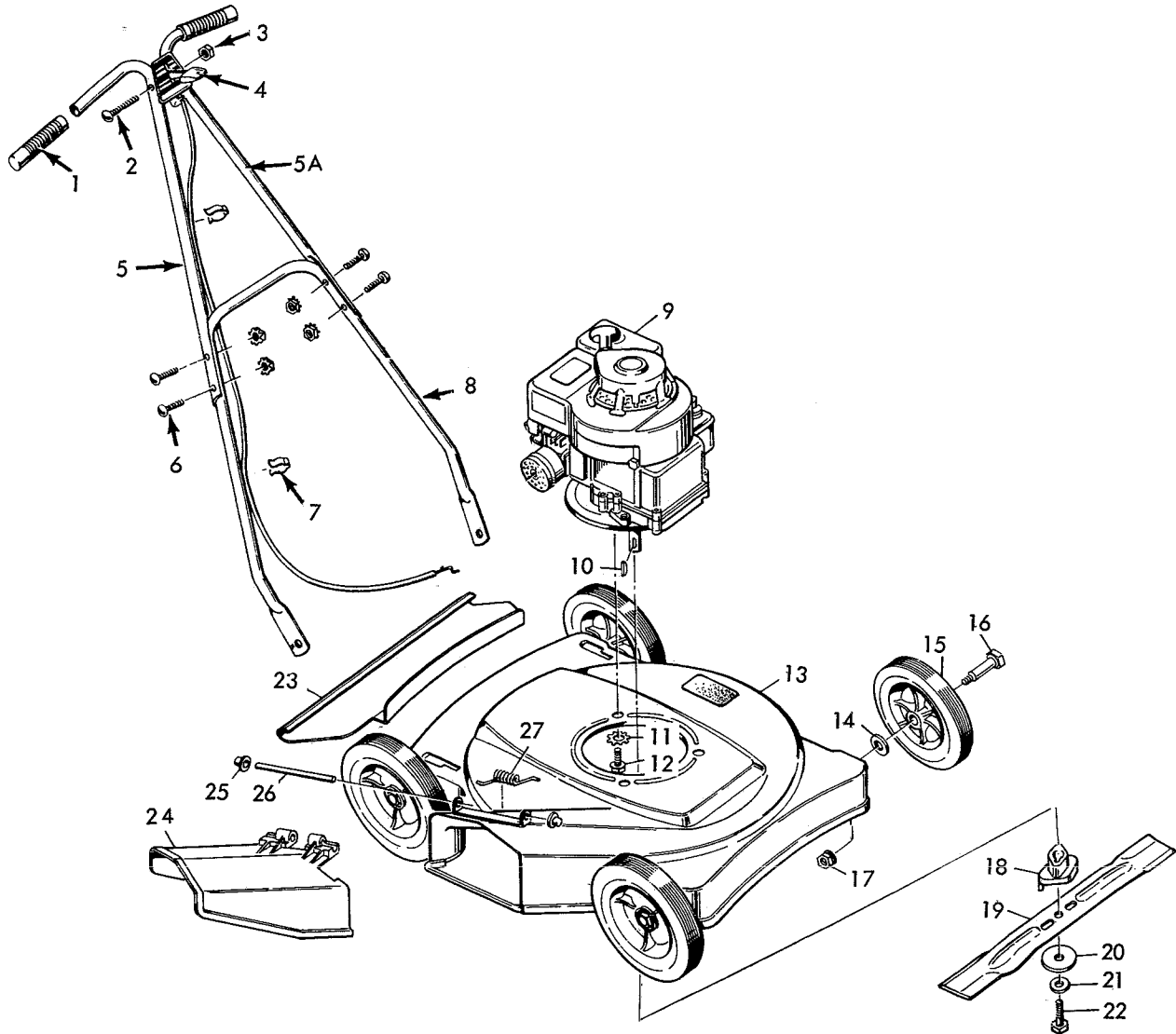


2-1801 18" Equipped Rotary Mower



ITEM NO.	MODEL 2-1801 PART NO.	DESCRIPTION	LIST PRICE EACH	ITEM NO.	MODEL 2-1801 PART NO.	DESCRIPTION	LIST PRICE EACH
1	20718	Grip	.30	14	10851Z	Washer	.20
2	3x142	Screw	.20	15	20270	Wheel & Tire	2.62
3	15x66	Lock Nut	.25	16	20086	Axle Bolt	.28
4	22057	Control Assy.	1.92	17	15x68	Flange Nut	.20
5	20307C	Upper Handle R.H.	1.85	18	20050	Blade Adapter	2.33
5A	20307C	Upper Handle L.H.	1.85	19	20059	Blade	4.03
6	3x97	Screw	.20	20	20094Z	Washer	.25
7	20260	Cable Clip	.26	21	17x101	Cup Washer	.41
8	20308C	Lower Handle	2.72	22	1x68	Adapter Bolt	.20
9	Engine	See Note *	- - -	23	20450	Rear Guard Panel	1.31
10	20062	Woodruff Key	.30	24	20453	Chute Deflector	1.10
11	19x8	Shakeproof Washer	.20	25	28x42	Push-On-Cap	.20
12	20103	Engine Bolt	.33	26	22050Z	Pivot Pin	.20
13	22070	Housing Assy.	12.89	27	22052	Torsion Pin	.20

*NOTE: Your Engine Model, Type & Code Number is stamped on the Blower Housing. All parts pertaining to this engine are available from the Briggs and Stratton Parts and Service Station listed in the yellow pages of the classified telephone directory.

IMPORTANT: To insure proper replacement parts always specify Model Number shown in mower model nameplate with Part Number and Part Name of item desired.