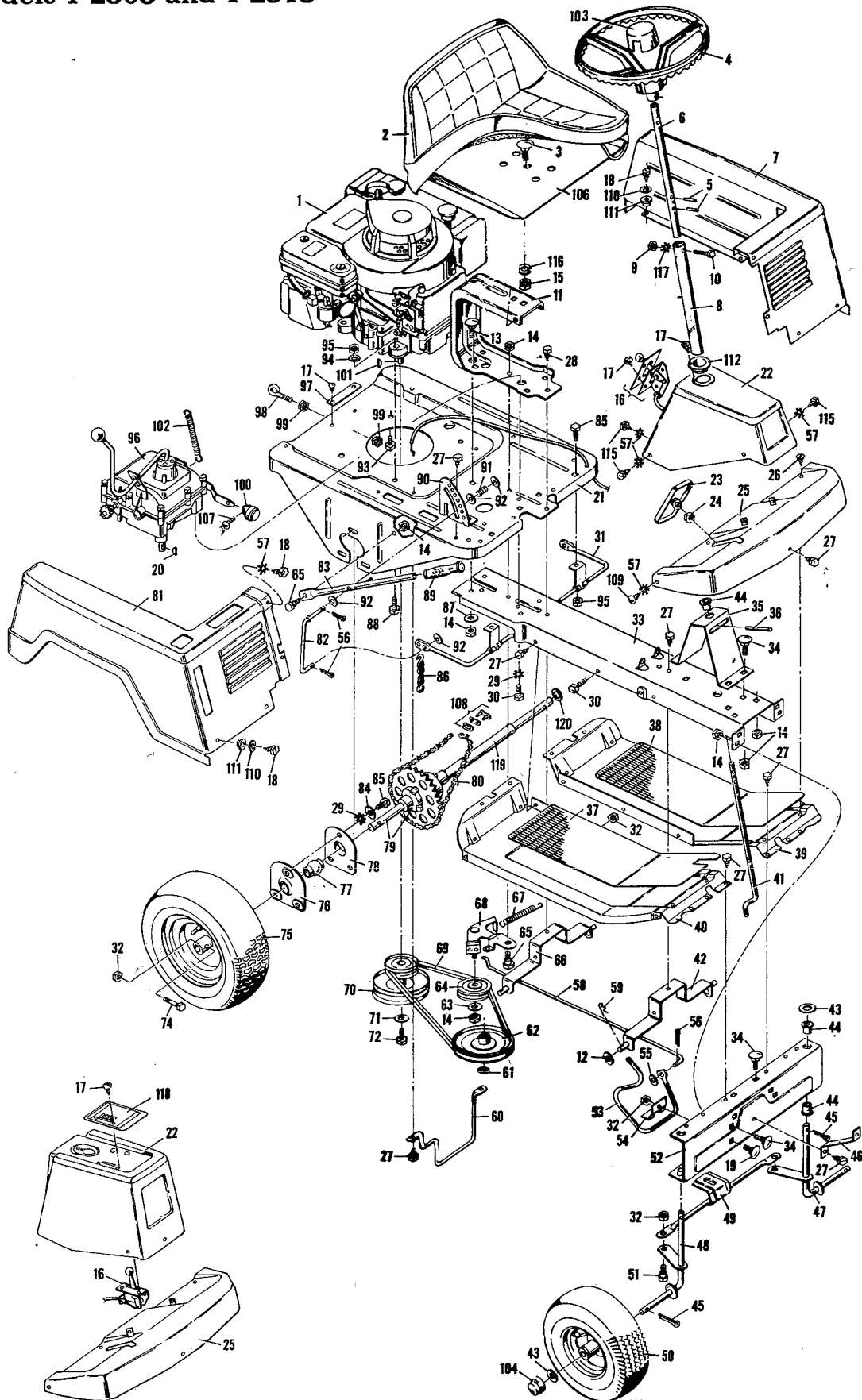


# Riding Mowers Models 1-2503 and 1-2513

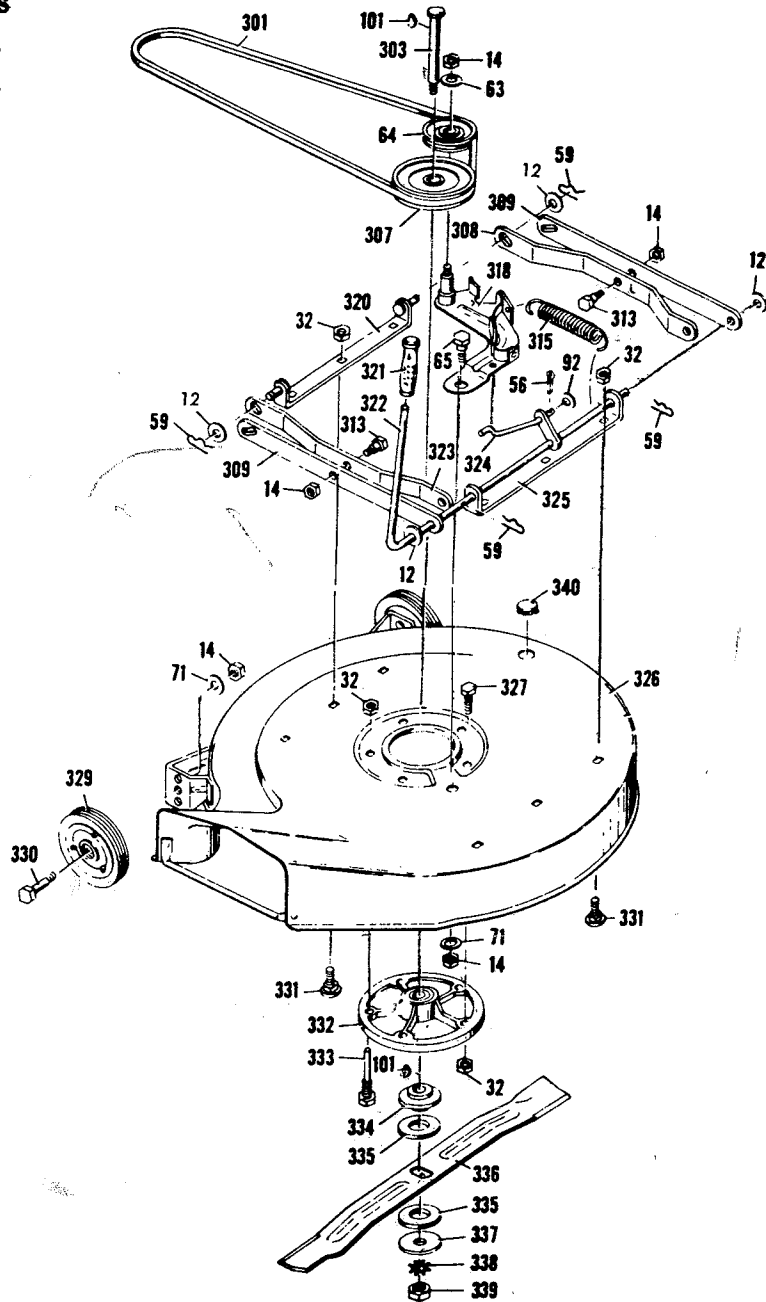


ITEM NO.	PART NO.	DESCRIPTION	LIST PRICE EACH	ITEM NO.	PART NO.	DESCRIPTION	LIST PRICE EACH
1	----	Engine - See Note *	----	58	20669	Brake Rod	.70
2	20724	Seat Pad (1-2503)	10.67	59	20692	Hair Pin Cotter	.20
2	20728	Seat Pad (1-2513)	12.37	60	20677	Belt Guide	.64
3	2x55	Carriage Bolt 1/2-13x1	.44	61	20698	Retainer Ring	.20
4	20700	Steering Wheel	8.87	62	20614	Trans. Pulley	3.83
5	32x70	Spring Pin	.20	63	17x53	Plain Washer	.20
6	20490	Steering Post	1.72	64	20613	Idler Pulley	3.96
7	20599	Shroud Assy. L-Half (1-2503)	5.88	65	20662	Shoulder Bolt	.36
7	20792	Shroud Assy. L-Half (1-2513)	5.80	66	20665	R. R. Hanger Brk't. Assy.	2.33
8	20491C	Sleeve	1.60	67	20682	Spring - Drive Idler	.46
9	15x1	Hex Nut 1/4-20	.20	68	20670	Drive Idler Assy.	2.70
10	6x58	Hex Cap Screw 1/4-20x1 1/2	.20	69	20716	Drive Belt	2.44
11	20630	Seat Bracket	3.07	70	20626Z	Stack Pulley Assy.	4.46
12	17x67	Washer	.20	71	10851Z	Plain Washer	.20
13	2x57	Carriage Bolt 3/8-16x7/8	.20	72	1x20	Hex Bolt 3/8-24x1	.20
14	15x12	Locknut 3/8-16	.20	74	1x75	Hex Bolt 5/16-18x1 3/4	.20
15	15x64	Hex Nut 1/2-13	.21	75	20751	R. R. Wheel & Tire (1-2503)	24.28
16	20770	Remote Control Unit (1-2503)	2.54		133x1	Tire Only	16.39
16	20768	Remote Control Unit (1-2513)	3.22		134x1	Tube W/Cap	5.38
17	26x159	Self Tapping Screw #8x3/8	.20		135x1	Wheel Only	11.63
18	26x184	Hex Tapping Screw #10x5/8	.23		20752	R.R. Wheel & Tire (1-2513)	24.85
19	2x53	Carriage Bolt 5/16-18x5/8	.20		133x3	Tire Only	19.95
20	20697	Woodruff Key #9	.28		135x3	Wheel Only	12.08
21	20530	Engine Base	14.09		20267	Valve Stem W/Cap	.89
22	20564	Console Assy. (Model 1-2503)	3.64	76	21009Z	Outer Brg. Ret. Assy.	1.08
22	20487	Console Assy. (Model 1-2513)	4.88	77	20568	Bronze Bearing	3.07
23	20575E	Pedal Assy.	.75	78	20570Z	Retainer - Inner	.54
24	15x63.	Hex Nut 7/16-14	.27	79	20685	Differential & Axle	28.49
25	20474	Apron Assy. (Model 1-2503)	3.10	80	20732	Roller Chain & Link #41	3.06
25	20473	Apron Assy. (Model 1-2513)	3.11	81	20792	Shroud Assy. - R. Half	5.80
26	26x179	Tapping Scr. - Flat Hd. #10x1/2	.23	82	20672Z	Connector Rod	.45
27	26x50	Hex Tapping Screw 5/16x5/8	.20	83	20658C	Lever & Pin Assy.	1.62
28	26x51	Hex Tapping Screw 5/16x3/4	.23	84	17x45	Plain Washer	.20
29	19x7	Sh. Pr. Washer	.20	85	1x77	Hex Bolt 3/8-24x5/8	.20
30	1x45	Hex Bolt 5/16-18x5/8	.20	86	20699	Chain Lifter	.38
31	20635Z	Lifting Rod & Hinge Assy.	2.92	87	17x104	Plain Washer	.20
32	15x43	Locknut 5/16-18	.23	88	1x74	Hex Bolt 5/16-24x1 1/4	.20
33	20544	Frame Channel (Model 1-2503)	4.25	89	20718	Grip	.30
33	20493	Frame Channel (Model 1-2513)	4.89	90	20636E	Index Brk't.	.76
34	2x56	Carriage Bolt 3/8-16x3/4	.20	91	20680	Spring Lifter	.20
35	21071	Steering Supt.	1.66	92	17x46	Plain Washer	.20
36	32x68	Spring Pin	.20	93	20103	Engine Bolt 3/8-16x1 - 5 H.P. Engine Only	.33
37	20690	Mat R. H.	2.62	94	17x47	Plain Washer	.20
38	20691	Mat. L. H.	2.62	95	15x42	Locknut 5/16-24	.20
39	20541	Running Brd. - L. H.	3.47	96	20843	Transmission	75.00
40	20540	Running Brd. - R. H.	3.47	97	20881	Model No. Plate	.20
41	20489	Lower Str'g. Post	2.38	98	20696	Eye Bolt	.64
42	20664	Ft. Hanger Brk't. Assy.	2.26	99	15x33	Hex Nut 3/8-24	.20
43	17x100	Plain Washer	.20	100	20841	Brake Lever Knob	1.40
44	20587	Nylon Bearing	.20	101	20062	Woodruff Key #6	.30
45	30x49	Cotter Pin	.20	102	21021	Brake Spring	.36
46	20639	Apron Support	.24	103	20704	Steering Wheel Cap	.44
47	20583	Spindle & Arm Assy. - L. H.	2.88	104	20796C	Hub Cap - Frt.	.70
48	20582	Spindle & Arm Assy. - R. H.	2.88	106	20726	Seat Pan Assy. (1-2503)	6.90
49	20578	Tie Bar Assy.	2.44	106	20727	Seat Pan Assy. (1-2513)	7.17
50	20742	Frt. Wheel & Tire (1-2503)	10.44	107	26x188	Self Tapping Screw #8x1/4	.20
	20743	Frt. Wheel & Tire (1-2513)	19.75	108	20730	Connecting Link - #41 Chain	.34
	133x2	Tire Only	12.88	109	26x186	Truss Hd. Tap Screw #10x1/2	.23
	134x2	Tube Only	5.15	110	17x106	Plain Washer	.20
	135x2	Wheel Only	7.72	111	20720	Grommet	.20
51	20660	Shoulder Bolt	.26	112	21034	Nylon Bearing	.66
52	20545	Frt. Axle Beam	2.94	115	26x184	Hex Tapping Screw #10x5/8	.23
53	20645	Clutch & Brake Lever	1.40	116	18x27	Lock Washer	.20
54	20572	Clamp	.20	117	19x4	Shake-Proof Washer	.20
55	17x37	Plain Washer	.20	118	20874	Control Plate	1.54
56	30x20	Cotter Pin	.20	119	20847Z	Rear Axle Sleeve	.66
57	19x1	Shake Pr. Washer	.20	120	61961	Plain Washer	.20
					20745	Front Wheel Bearing	.36

*wheel  
B-19*

\* NOTE: Your Engine Model, Type and Code Number is stamped on Blower Housing. Repair and Replacement at Briggs & Stratton Service Center.

**Blade Housing  
Riding Mowers  
Models 1-2503  
and 1-2513**



ITEM NO.	PART NO.	PART NAME	LIST PRICE EACH	ITEM NO.	PART NO.	PART NAME	LIST PRICE EACH	ITEM NO.	PART NO.	PART NAME	LIST PRICE EACH
12	17x67	Plain Washer	.20	308	20643	Inner Arm L.H.	1.80	329	20629	Gauge Wheel	1.90
14	15x12	Locknut 3/8-16	.20	309	20644	Outer Arm	1.64	330	20086	Axle Bolt	.28
32	15x43	Locknut 5/16-18	.23	313	20661	Shoulder Bolt	.36	331	2x54	Step Bolt 5/16-18x5/8	.41
56	30x20	Cotter Pin	.20	315	20681	Spring	.58	332	20551	Jackshaft Hsng. Assy.	7.90
59	20692	Hair Pin Cotter	.20	318	20671	Idler Brk't. & Brake Assy.	3.03	333	20619	Guide Bolt	.38
63	17x53	Plain Washer	.20	320	20668	RR. Scissor Brk't. Assy.	2.28	334	20617	Blade Adapter	1.46
64	20613	Idler Pulley	3.96	321	20719	Grip	.44	335	20618	Blade Cushion	.40
65	20662	Shoulder Bolt	.36	322	20676Z	Lever and Link Assy.	2.23	336	20083	Blade	4.49
71	10851Z	Plain Washer	.20	323	20642	Inner Arm R. H.	1.80	337	20663Z	Washer	.30
92	17x46	Plain Washer	.20	324	20673Z	Body-Blade Brake	.82	338	19x36	Sh. Pr. Washer	.20
101	20062	Woodruff Key #6	.30	325	20666	Frnt. Scissor Brk't.	.94	339	15x72	Hex Nut 1/2-20	.20
301	20717	Blade Belt	3.54	326	20559	Housing & Brk'ts. Assy.	19.90	340	20737	Plug Button	.20
303	20616	Jack Shaft	2.75	327	1x73	Hex Bolt 5/16-18x7/8	.20				
307	20615	Jack Shaft Pulley	3.12								