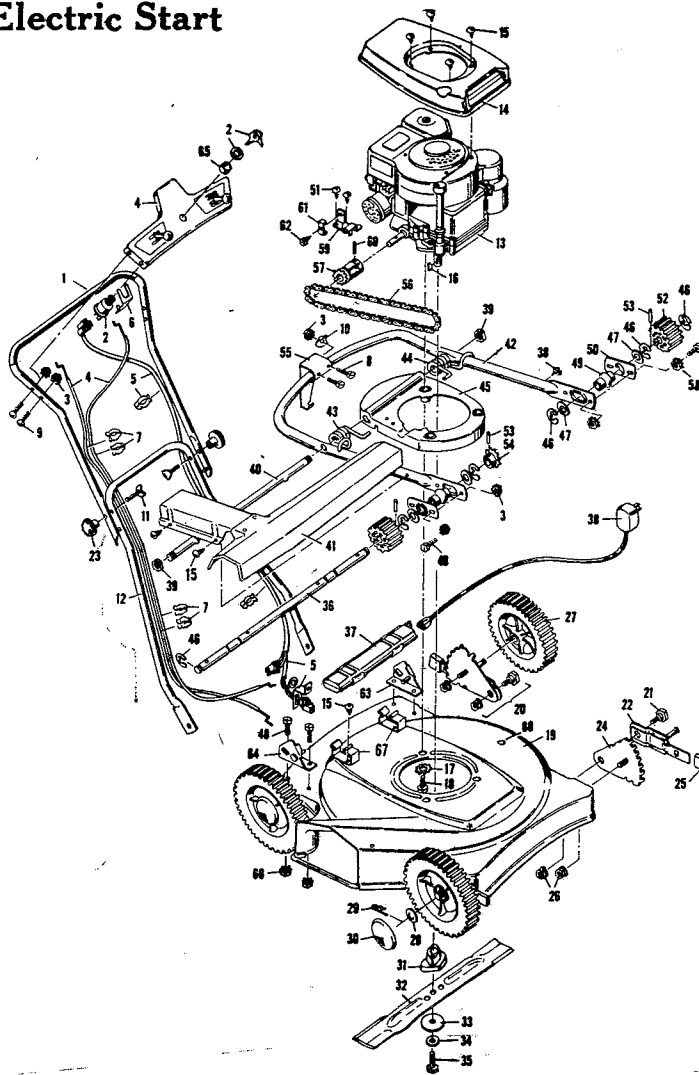


1-2254 22" Super Deluxe Self-Propelled Electric Start Rotary Mower



ITEM NO.	PART NO.	DESCRIPTION	LIST PRICE EACH	ITEM NO.	PART NO.	DESCRIPTION	LIST PRICE EACH	ITEM NO.	PART NO.	DESCRIPTION	LIST PRICE EACH
1	20247C	Upper Handle & Grip	4.62	25	20065	Lever Spring Knob (4)	.32	49	20048	Bearing (2)	1.05
2	20244	Switch Assy. W/Key	5.95	26	15x68	Flanged Locknut (8)	.20	50	20049Z	Bearing Retainer (2)	.30
3	15x66	Locknut (10)	.25	27	20105SC	Wheel & Tire (4)	2.45	51	26x172	Screw (2)	.20
4	400155	Control Plate & Cable Assy.	4.03	28	17x102	Washer (4)	.20	52	20066	Drive Pinion (2)	1.25
5	20242	Electric Harness & Clips	3.99	29	20101	Hair Pin Cotter (4)	.20	53	32x64	Spring Pin (3)	.20
6	20245Z	Retainer Clamp	.20	30	20090	Hub Cap (4)	.62	54	20080	Drive Shaft Sprocket	1.47
7	20089	Control Clamp (4)	.26	31	20051	Blade Adapter	2.56	55	20047	Spring Latch	1.30
8	1x71	Hex Bolt (2)	.25	32	20046	Blade	4.13	56	20108	Chain & Link	1.95
9	3x136	Screw (4)	.20	33	20094Z	Washer	.25	57	20125	Clutch & Sprocket Assy.	6.79
10	20087	Formed Washer (2)	.20	34	17x101	Cup Washer	.41	58	19x4	Lockwasher (2)	.20
11	20129	Contour Head Bolt (2)	.20	35	1x69	Adapter Bolt	.41	59	20123	Shifter Assy.	.50
12	20191C	Lower Handle	3.84	36	20084	Drive Shaft	4.43	60	20128	Spirol Pin	.20
13	- - - -	Engine - - See Note*	- -	37	20335	Battery Pack	37.06	61	20073	Cable Clamp	.25
14	20184C	Shroud	3.93	38	20336	Battery Charger	7.25	62	26x181	Hex Screw	.23
15	26x159	Screw (13)	.20	39	15x64Z	Hex Nut (2)	.21	63	20199Z	Handle Bracket L.H.	1.00
16	20062	Woodruff Key	.30	40	20085Z	Pivot Shaft	1.16	64	20198Z	Handle Bracket R. H.	1.00
17	19x8	Shakeproof Washer (3)	.20	41	400153	Pinion & Chain Guard Assy.	3.52	65	20167C	Spacer	.52
18	20102	Engine Bolt (3)	.56	42	20013E	Drive Arm	2.10	66	15x67	Locknut (4)	.20
19	20032	Housing Assy.	19.95	43	20067C	Torsion Spring R.H.	2.30	67	20243	Battery Clips (2)	1.36
20	400152	Wheel Adjuster Assy. (4)	2.63	44	20068C	Torsion Spring L.H.	2.30	68	20737	Wash Out Plug	.20
21	20064	Shoulder Bolt (4)	.35	45	20054E	Base & Spacer Assy.	2.83	69	10851Z	Washer (4)	.20
22	20109Z	Arm, Axle & Spring Assy. (4)	1.62	46	20100	Retainer Ring (6)	.20	70	20086	Axle Bolt (4)	.28
23	20266	Handle Knob (2)	.88	47	17x100	Washer (4)	.20	71	20318	Gas Level Indicator	2.72
24	20113Z	Index Plate Assy. (4)	1.26	48	1x38	Hex Bolt (8)	.20	72	20315	Oil Minder	2.34

* Note: Your Engine Model, Type and Code Number is stamped on the Blower Housing.