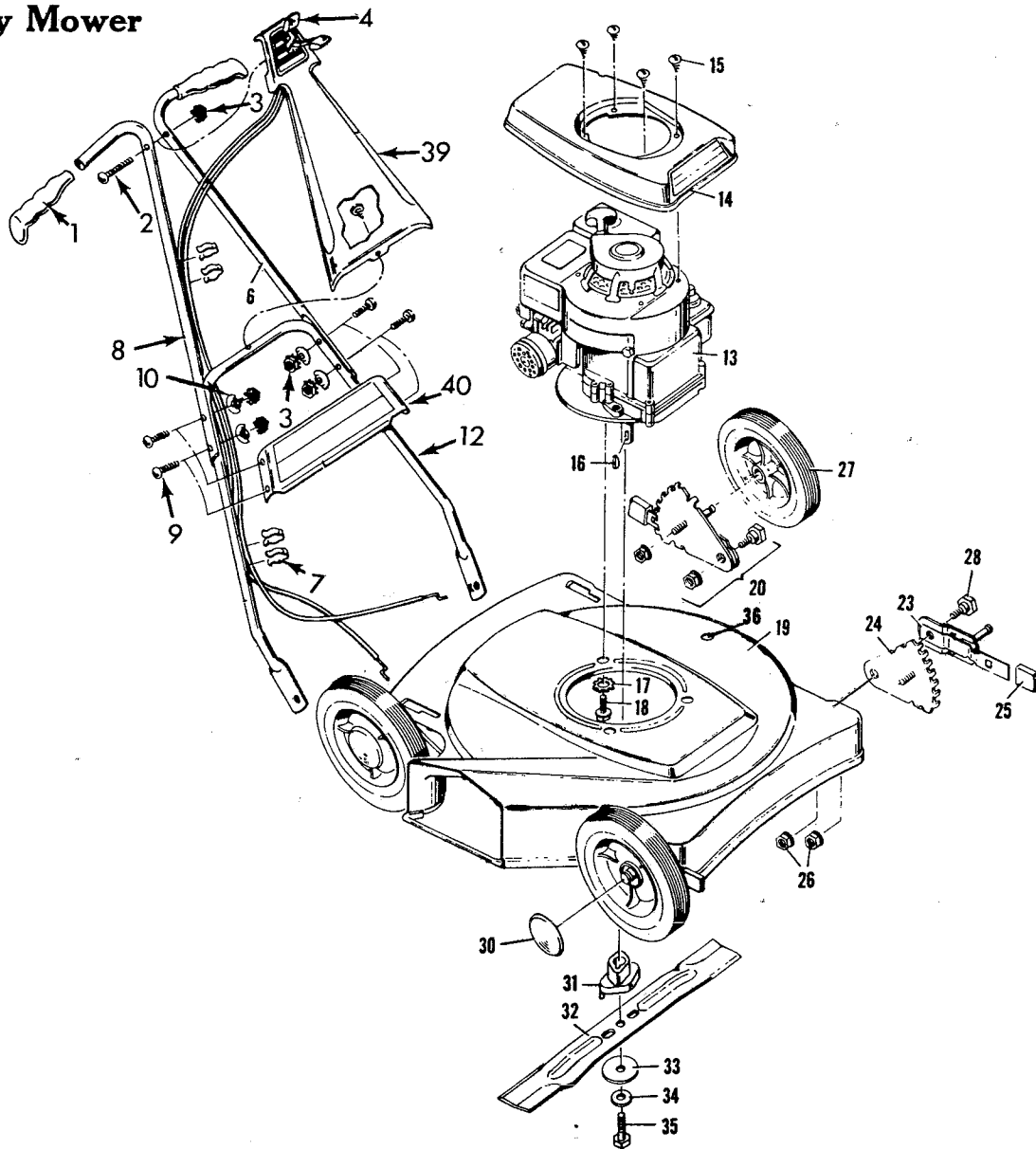


# 1-2203 22" Super Deluxe Rotary Mower



ITEM NO.	MODEL NO. 1-2203 PART NO.	DESCRIPTION	LIST PRICE EACH	ITEM NO.	MODEL NO. 1-2203 PART NO.	DESCRIPTION	LIST PRICE EACH
1	20187	Grip (2)	.42	18	20103	Engine Bolt (3)	.33
2	3x137	Screw	.20	19	20030	Housing Assy.	19.95
3	15x66	Lock Nut (5)	.25	20	400152	Wheel Adjuster Assy. (4)	2.63
4	20230	Control Assy.	2.70	23	20109Z	Arm, Axle & Spring Assy. (4)	1.62
6	20061C	Upper Handle L.H	1.90	24	20113Z	Index Plate Assy. (4)	1.26
7	20089	Cable Clip (2)	.26	25	20065	Lever Spring Knob (4)	.32
8	20060C	Upper Handle R. H.	1.90	26	15x68	Flange Locknut (8)	.20
9	3x136	Screw (4)	.20	27	20104	Wheel & Tire (4)	3.08
10	20087	Formed Washer (4)	.20	28	20064	Shoulder Bolt (4)	.35
12	20056C	Lower Handle	2.89	30	20090	Hub Cap (4)	.62
13	Engine	Briggs & Stratton - See Note * Repair & Replacement at Briggs & Stratton Service Center	- - -	31	20050	Blade Adapter	2.33
14	20183C	Engine Shroud	3.93	32	20046	Blade	4.13
15	26x159	Screw (4)	.20	33	20094Z	Washer	.25
16	20062	Woodruff Key	.30	34	17x101	Cup Washer	.41
17	19x8	Shakeproof Washer (3)	.20	35	1x68	Adapter Bolt	.20
				36	20737	Plug Button	.20
				39	20015	Trim Panel	1.48
				40	20098	Crotch Plate	.66

\* Note: Your Engine Model, Type and Code Number is stamped on the Blower Housing.