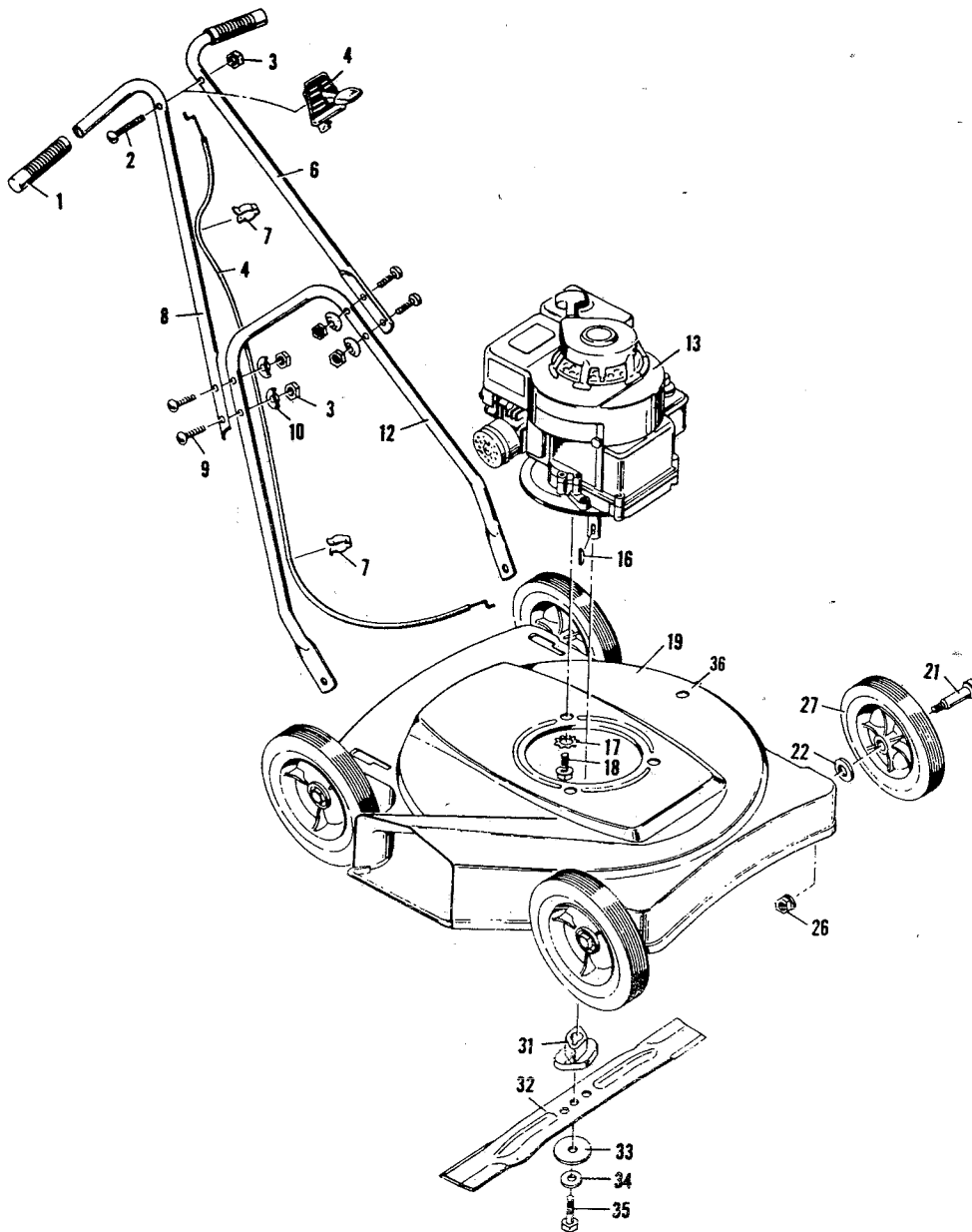


1-2201 22" Equipped Rotary Mower



ITEM NO.	MODEL 1-2201 PART NO.	DESCRIPTION	LIST PRICE EACH	ITEM NO.	MODEL 1-2201 PART NO.	DESCRIPTION	LIST PRICE EACH
1	20143	Grip (2)	.44	16	20062	Woodruff Key	.30
2	3x137	Screw	.20	17	19x8	Shakeproof Washer (3)	.20
3	15x66	Lock Nut (5)	.25	18	20103	Engine Bolt (3)	.33
4	20230	Control Assy.	2.70	19	20030	Housing Assy.	19.95
6	20061C	Upper Handle L. H.	1.90	21	20086	Axle Bolt (4)	.28
7	20089	Cable Clip (2)	.26	22	10851Z	Washer (4)	.20
8	20060C	Upper Handle R. H.	1.90	26	15x68	Flange Locknut (4)	.20
9	3x136	Screw (4)	.20	27	20104	Wheel & Tire (4)	3.08
10	20087	Formed Washer (4)	.20	31	20050	Blade Adapter	2.33
12	20058C	Lower Handle	3.42	32	20046	Blade	4.13
13	Engine	Briggs & Stratton - See Note * Repair & Replacement at Briggs & Stratton Service Center	...	33	20094Z	Washer	.25
				34	17x101	Cup Washer	.41
				35	1x68	Adapter Bolt	.20
				36	20737	Plug Button	.20

* Note: Your Engine Model, Type and Code Number is stamped on Blower Housing.