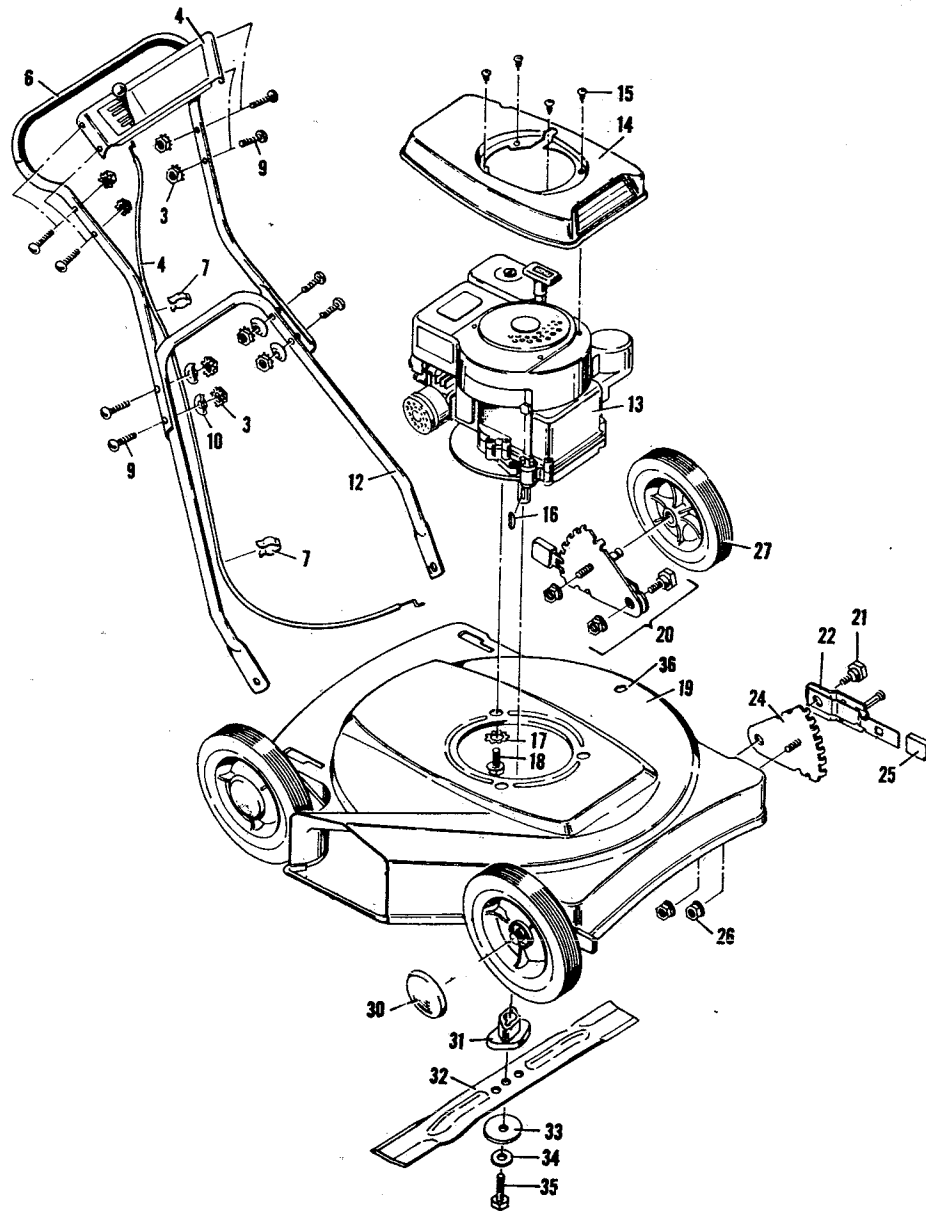


**1-2002 20" Deluxe
Rotary Mower**



ITEM NO.	MODEL NO. 1-2002 PART NO.	DESCRIPTION	LIST PRICE EACH	ITEM NO.	MODEL NO. 1-2002 PART NO.	DESCRIPTION	LIST PRICE EACH
3	15x66	Lock Nut (5)	.25	20	400152	Wheel Adjuster Assp. (4)	2.63
4	20231	Control Assembly	2.82	21	20064	Shoulder Bolt (4)	.35
6	20248C	Upper Handle Loop	3.83	22	20109Z	Arm, Axle & Spring Assy. (4)	1.62
7	20089	Cable Clip (2)	.26	24	20113Z	Index Plate Assy.	1.26
9	3x136	Screw (8)	.20	25	20065	Lever Spring Knob (4)	.32
10	20087	Formed Washer	.20	26	15x68	Flange Locknut (8)	.20
12	20058C	Lower Handle	3.42	27	20104	Wheel & Tire (4)	3.08
13	Engine	Briggs & Stratton - See Note * Repair & Replacement at Briggs & Stratton Repair Center		30	20090	Hub Cap (4)	.62
14	20183	Engine Shroud	2.46	31	20050	Blade Adapter	2.33
15	26x159	Screw (4)	.20	32	20045	Blade	4.08
16	20062	Woodruff Key	.30	33	20094Z	Washer	.25
17	19x8	Shakeproof Washer (3)	.20	34	17x101	Cup Washer	.41
18	20103	Engine Bolt (3)	.33	35	1x68	Adapter Bolt	.20
19	20009	Housing Assy.	16.74	36	20737	Wash Out Plug	.20

* Note: Your Engine Model, Type and Code Number is stamped on the Blower Housing.