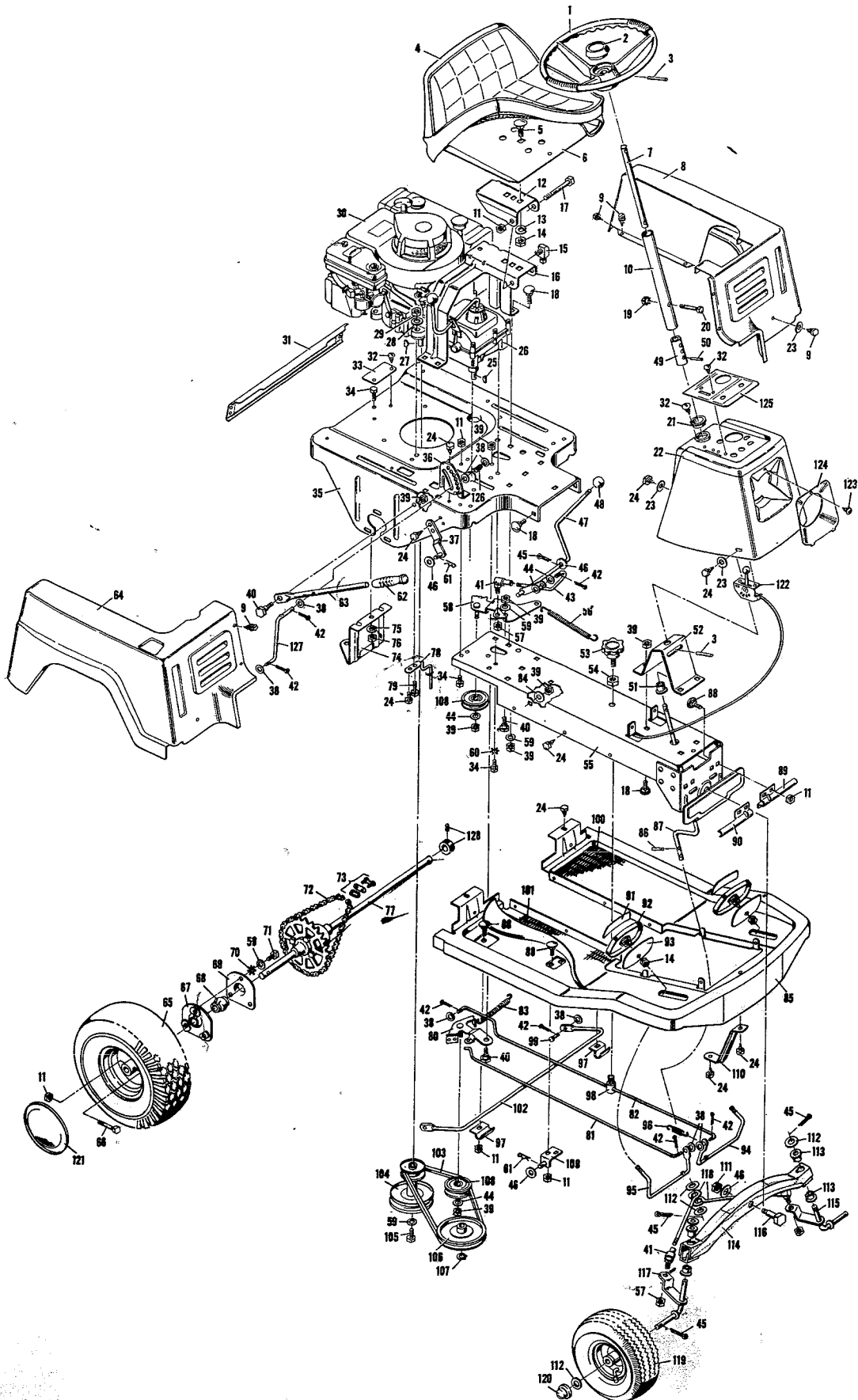
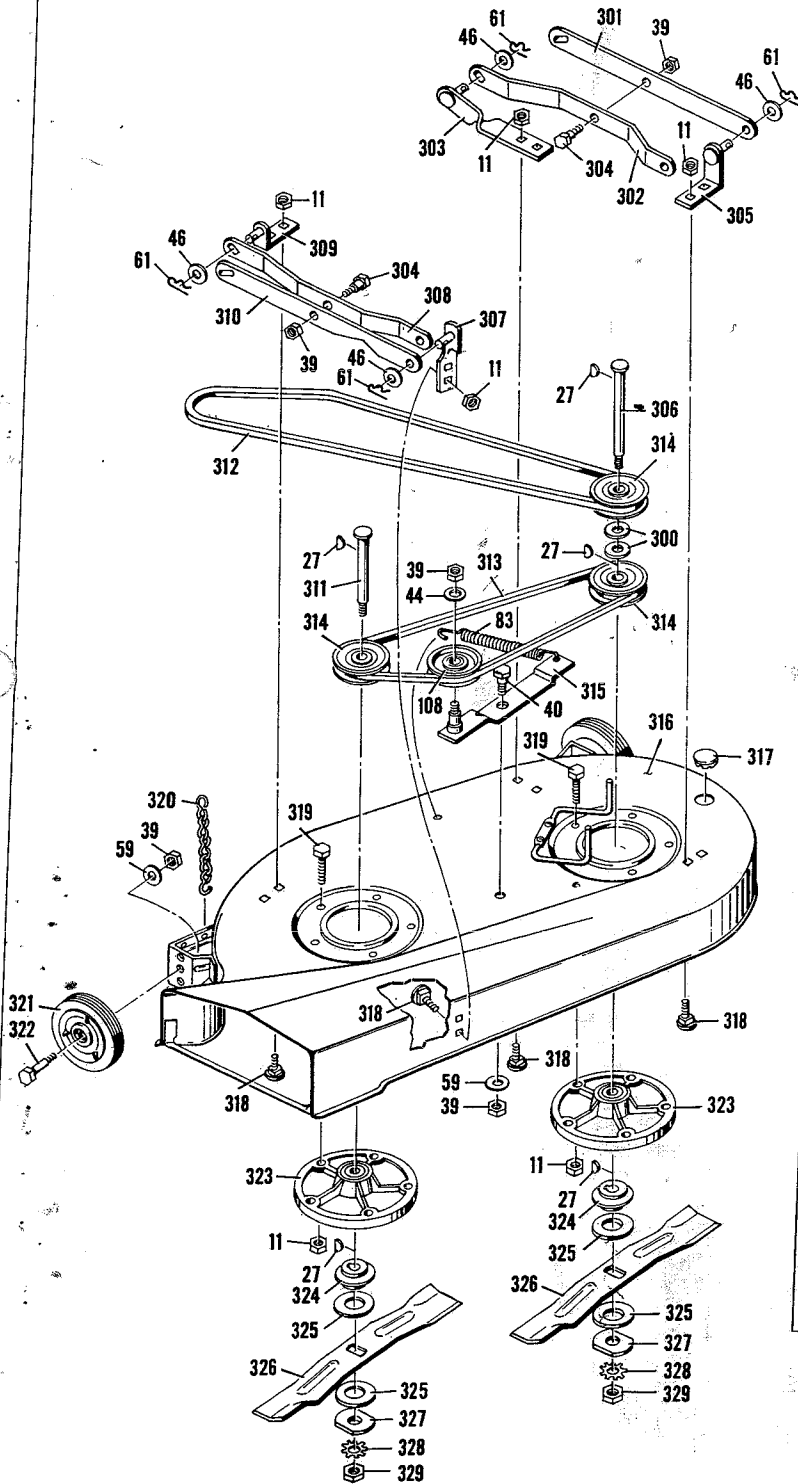


Riding Mowers 32"
Models 0-3213, 03223 and 0-3233



ITEM NO.	PART NO.	DESCRIPTION	LIST PRICE EACH	ITEM NO.	PART NO.	DESCRIPTION	LIST PRICE EACH
1	21033	Steering Wheel	9.91		135x5	Wheel Only	11.11
2	21049	Steering Wheel Cap	.99		20754	R.R. Wheel & Tire (0-3223 & 0-3233)	30.54
3	32x68	Spring Pin	.20		133x6	Tire Only	25.58
4	20724	Seat Pad (0-3213)	15.67		135x5	Wheel Only	11.11
	20728	Seat Pad (0-3223 & 0-3233)	17.85		20267	Valve Stem & Cap - Tubeless	.89
5	2x55	Carriage Bolt 1/2-13x1	.44	66	1x75	Hex Bolt 5/16-18x1 3/4	.20
6	20726	Seat Pan Assy. (0-3213)	6.90	67	21009Z	Outer Bearing Retainer Assy.	.58
	20727	Seat Pan Assy. (0-3223 & 0-3233)	7.17	68	20568	Rear Axle Bearing	3.07
7	21030	Upper Steering Post	.79	69	20570Z	Bearing Retainer	.37
8	20973	Shroud Assy. - L. Half (0-3213)	15.70	70	19x7	Shakeproof Washer	.20
	20975	Shroud Assy. - L. Half (0-3223 & 0-3233)	16.06	71	1x77	Hex Bolt 3/8-24x5/8	.20
9	26x184	Hex Tapping Screw #10x5/8	.23	72	20733	Chain & Link #41	2.90
10	21029C	Steering Sleeve	1.12	73	20730	Connecting Link #41 Chain	.25
11	15x43	Locknut 5/16-18	.23	74	21047Z	Hitch	.82
12	21048Z	Seat Hinge	1.13	75	18x15	Lockwasher	.20
13	18x27	Lock Washer	.20	76	15x2	Hex Nut 5/16-18	.20
14	15x64	Hex Nut 1/2-13	.21	77	21000	Differential & Axle	27.56
15	20735	Oil Drain Fitting	.90	78	21054	Belt Guide	.22
16	20926	Seat Bracket	3.38	79	1x66	Hex Bolt 5/16-24x1 3/8	.20
17	1x78	Hex Bolt 5/16-18x1/4	.20	80	20670	Drive Idler Assy.	2.80
18	2x57	Carriage Bolt 3/8-16x7/8	.20	81	20915	Clutch Rod	.56
19	15x76	Keps Nut 5/16-18	.20	82	20954	Brake Rod	.93
20	6x59	Hex Cap Scr. 5/16-18x2	.20	83	20682	Drive Idler Spring	.26
21	21035	Nylon Bearing	.20	84	17x104	Plain Washer	.20
22	20986	Console Assy. (0-3213 & 0-3223)	5.45	85	20923	Running Board	21.62
	20987	Console Assy. (0-3233)	5.75	86	32x65	Spring Pin	.20
23	17x45	Plain Washer	.20	87	20947	Lower Steering Post	1.07
24	26x50	Hex Tapping Screw 5/16x5/8	.20	88	2x53	Carriage Bolt 5/16-18x5/8	.20
25	20697	Woodruff Key #9	.24	89	20917	Brake Clamp L.H.	.26
26	21013	Transmission - 3 Speed	72.38	90	20916	Clutch Clamp R.H.	.26
27	20062	Woodruff Key #6	.25	91	21052	Pedal Pad	.26
28	17x47	Plain Washer	.20	92	20999E	Clutch & Brake Pedal Assy.	.94
29	15x42	Locknut 5/16-24	.20	93	21051E	Pedal Back-Up Plate	.23
30	Engine	Briggs & Stratton 190702-0143-01 (0-3213) 190707-0144-01 (0-3223) 190707-0145-01 (0-3233) Repair & Replacement at Briggs & Stratton Service Center		94	20919	Brake Lever L.H.	.75
				95	20918	Clutch Lever R.H.	.75
				96	21041	Pedal Snubber Spring	.20
				97	20993	Lifter Clamp	.21
31	20971	Shroud Panel	.60	98	21016	Parking Brake Base	1.39
32	26x159	Self Tapping Screw #8x3/8	.20	99	29x93	Clevis Pin	.20
33	94x16	Model No. Plate (0-3213)	.26	100	21007	Rubber Mat L.H.	2.88
	94x17	Model No. Plate (0-3223)	.26	101	21006	Rubber Mat R.H.	2.88
	94x18	Model No. Plate (0-3233)	.26	102	20942	Lifter Rod	1.44
34	1x45	Bolt 5/16-18x5/8	.20	103	20716	Drive Belt	2.10
35	20901	Engine Base	17.13	104	21014Z	Stack Pulley Assy.	3.73
36	20636E	Lifter Index Brk't.	.37	105	1x20	Hex Bolt 3/8-24x1	.20
37	20997	Hanger Brk't. Assy.	.79	106	20614	Transmission Pulley	3.18
38	17x46	Plain Washer	.20	107	20698	Retainer Ring	.20
39	15x12	Lock Nut 3/8-16	.20	108	20613	Idler Pulley	3.85
40	20662	Shoulder Bolt	.33	109	20996	Hanger Brk't. Assy.	.71
41	21031	Ball Joint	.88	110	20949	Support Brk't.	.30
42	30x20	Cotter Pin	.20	111	15x41	Locknut 1/2-13	.20
43	21004Z	Link Rod	.70	112	17x100	Plain Washer	.20
44	17x53	Plain Washer	.20	113	20939	Spindle Bearing	.21
45	30x49	Cotter Pin	.20	114	20914	Front Axle Assy.	3.52
46	17x67	Plain Washer	.20	115	20953	Spindle Assy. L.H.	1.95
47	21002C	Blade Drive Lever Assy.	1.46	116	20908	Shoulder Bolt	1.23
48	20739	Lever Knob	.42	117	20952	Spindle Assy. R.H.	1.95
49	20992	Coupling	1.67	118	20948Z	Tie Rod	.39
50	32x67	Spring Pin	.20	119	20743	Front Wheel & Tire (0-3213)	19.44
51	20587	Nylon Bearing	.20		133x2	Tire Only	12.88
52	21071	Steering Supt.	1.05		134x2	Tube Only	5.15
53	21017	Parking Brake Knob	.99		135x2	Wheel Only	7.72
54	15x74	Hex Jam Nut	.20		20744	Front Wheel & Tire (0-3223 & 0-3233)	22.01
55	20906	Frame Channel	6.82		133x4	Tire Only	16.34
56	20683	Blade Drive Idler Spring	.37		135x4	Wheel Only	9.13
57	15x77	Hex Nut 3/8-24	.20	120	20796C	Hub Cap - Front (0-3223)	.33
58	20943Z	Blade Drive Idler Assy.	1.23		21081	Hub Cap - Front (0-3233)	1.41
59	10851Z	Washer	.20	121	20797	Hub Cap - Rear	1.90
60	19x6	Shakeproof Washer	.20	122	20769	Control Unit	1.74
61	20692	Hair Pin Cotter	.20	123	26x182	Self Tapping Screw #10x1/2	.20
62	20718	Lifting Lever Grip	.25	124	21045C	Bezel Reflector	1.61
63	20658C	Lifting Lever	.59	125	21063	Control Plate (0-3213)	2.30
64	20972	Shroud Assy. - R. Half	15.70		21062	Control Plate (0-3223)	2.30
65	20753	R.R. Wheel & Tire (0-3213)	30.54		21061	Control Plate (0-3233)	2.30
	133x5	Tire Only	25.58	126	20680	Lifter Spring	.20

**Blade Housing
Riding Mowers
Models 0-3213, 03223 and 0-3233**



ITEM NO.	PART NO.	DESCRIPTION	LIST PRICE EACH
11	15x43	Locknut 5/16-18	.23
27	20062	Woodruff Key #6	.25
39	15x12	Locknut 3/8-16	.20
40	20662	Shoulder Bolt	.33
44	17x53	Plain Washer	.20
46	17x67	Plain Washer	.20
59	10851Z	Washer	.20
61	20692	Hair Pin Cotter	.20
83	20682	Drive Idler Spring	.26
108	20613	Idler Pulley	3.85
300	17x87	Plain Washer	.20
301	20644E	Outer Scissor Arm L.H.	.88
302	20643E	Inner Scissor Arm L.H.	1.03
303	21020	Scissors Brk't. Assy. L.H. Rear	.94
304	20661	Shoulder Bolt	.32
305	20995	Scissors Brk't. Assy. L.H. Front	.81
306	21024	Jackshaft Long	3.41
307	21018	Scissor Brk't. Assy. R.H. Front	.84
308	20642E	Inner Scissors Arm R.H.	1.03
309	20994	Scissors Brk't. Assy. R.H. Rear	.94
310	21036	Outer Scissor Arm R.H.	.80
311	20616	Jackshaft	2.58
312	21058	Blade Drive Belt	3.13
313	21059	Cross Drive Belt	2.54
314	21022	Jackshaft Pulley	2.18
315	20944	Idler Brk't. Assy.	.64
316	20933	Blade Housing Assy.	18.05
317	20737	Plug Button	.20
318	2x54	Step Bolt 5/16-18x5/8	.38
319	1x73	Hex Bolt 5/16-18x7/8	.20
320	21028	Lifter Chain	.25
321	21027	Gauge Wheel	1.03
322	20086	Axle Bolt	.28
323	20551E	Jackshaft Housing	6.90
324	20617	Blade Adapter	.65
325	20618	Blade Cushion	.25
326	20929E	Blade	3.98
327	20663Z	Blade Washer	.23
328	19x36	Shakeproof Washer	.20
329	15x72	Hex Nut 1/2-20	.20

Electrical System
Models 0-3223 and 0-3233

ITEM NO.	PART NO.	DESCRIPTION	LIST PRICE EACH
1	21039	Positive Terminal Cable *	3.25
2	21076	Jumper Wire *	.31
3	21039	Starter Cable *	3.25
4	21084	Fuse Wire *	.78
5	21037	Switch & Key	3.97
6	21077	Jumper Wire	.47
7	21057	Ammeter with Bracket	4.28
8	21056	Light Switch	1.67
9	21044	Seal Beam Light	2.46
10	21053	Battery Hold Down	.20
11	15x66	Keys Nut	.25
12	17x37	Plain Washer	.20
13	1x38	Hex Bolt 1/4-20x5/8	.20
14	21038	Battery Cable	1.41
15	21023	Fuse - 15 Amp.	.20
	21080	Fuse - 7.5 Amp.	.20
16	----	Engine	----
17	21075	Battery - 12 Volt	33.71

*Note: Included in wiring harness Part No. 20779 @ 8.10.