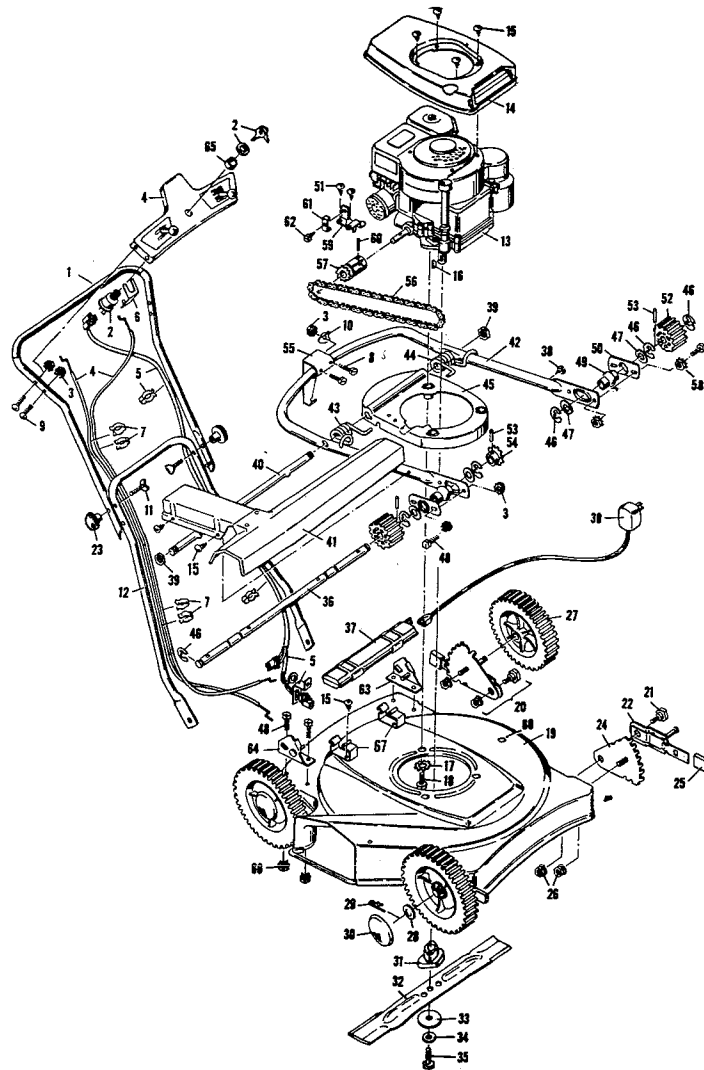


**0-2254 22" Olive Rotary Mower
Self Propelled W/Electric Start**



ITEM NO.	MODEL 0-2254 PART NO.	DESCRIPTION	LIST PRICE EACH	ITEM NO.	MODEL 0-2254 PART NO.	DESCRIPTION	LIST PRICE EACH	ITEM NO.	MODEL 0-2254 PART NO.	DESCRIPTION	LIST PRICE EACH
1	20299C	Upper Handle & Grip	3.84	22	20109Z	Arm, Axle & Spring Assy. (4)	1.16	45	20054E	Base & Spacer Assy.	2.83
2	20244	Switch Assy. W/Key		23	20266	Handle Knob (2)	.55	46	20100	Retainer Ring (6)	.20
3	15x66	Locknut (10)	.25	24	20113Z	Index Plate Assy. (4)	1.02	47	17x100Z	Washer (4)	.20
4	20176	Control Plate & Cable Assy.	4.03	25	20065	Lever Spring Knob (4)	.28	48	1x38	Hex Bolt (8)	.20
5	20242	Electric Harness & Clips	3.91	26	15x68	Flanged Locknut (8)	.20	49	20048	Bearing (2)	1.05
6	20245	Retainer Clamp	.20	27	20105	Wheel & Tire Assy. (4)	3.78	50	20049Z	Bearing Retainer (2)	.30
7	20089	Control Clamp (4)	.26	28	17x102Z	Washer (4)	.20	51	26x12	Screw (2)	.20
8	1x71	Hex Bolt (2)	.25	29	20101	Hair Pin Cotter (4)	.20	52	20066	Drive Pinion (2)	1.05
	3x136	Screw (4)	.20	30	20090	Hub Cap (4)	.55	53	32x64	Spring Pin (3)	.20
10	20087	Formed Washer (2)	.20	31	20051	Blade Adapter	2.53	54	20080	Drive Shaft Sprocket	1.57
11	20129	Contour Head Bolt (2)	.20	32	20046E	Blade	4.13	55	20047E	Spring Latch	1.30
12	20191C	Lower Handle	1.87	33	20094Z	Washer	.22	56	20108	Chain & Link	1.52
13	Engine	Briggs & Stratton (92985-1047-01) Repair & Replacement at Briggs & Stratton Service Center		34	17x101	Cup Washer	.41	57	20125	Spring Clutch Assy.	6.35
14	20184E	Shroud	3.20	35	1x69	Adapter Bolt	.38	59	20123	Shifter Assy.	.34
15	26x159	Screw (13)	.20	36	20084	Drive Shaft	4.25	60	20128	Spiral Pin	.20
	20062	Woodruff Key	.25	37	20335	Battery Pack	33.71	61	20073	Cable Clamp	.25
	19x8	Shakeproof Washer (3)	.20	38	20336	Battery Charger	5.67	62	26x181	Hex Screw	.23
18	20102	Engine Bolt (3)	.56	39	15x64Z	Hex Nut (2)	.21	63	20199Z	Handle Bracket L. H.	.90
19	20032E	Housing Assy.	23.99	40	20085Z	Pivot Shaft	1.16	64	20198Z	Handle Bracket R. H.	.90
20	20088	Wheel Adjuster Assy. (4)	2.63	41	20177E	Pinion & Chain Guard Assy.	3.52	65	20167C	Spacer	.29
21	20064	Shoulder Bolt (4)	.30	42	20013C	Drive Arm	3.10	66	15x67	Locknut (4)	.20
				43	20067C	Torsion Spring R. H.	1.16	67	20337	Battery Clips (2)	.35
				44	20068C	Torsion Spring L. H.	1.16	68	20737	Plug Button	.20