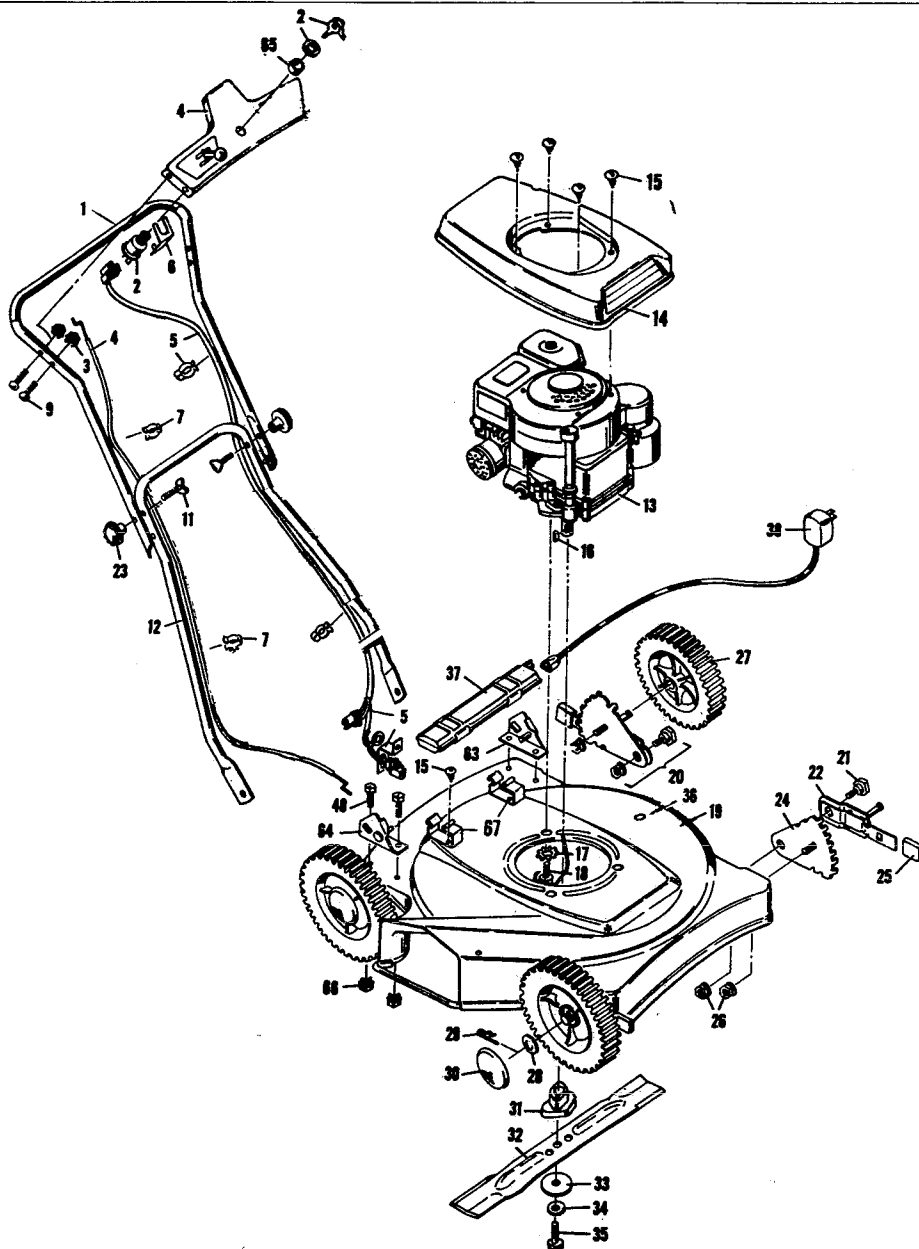


**0-2204 22" Orange Rotary Mower**



ITEM NO.	MODEL NO 0-2204 PART NO.	DESCRIPTION	LIST PRICE EACH	ITEM NO.	MODEL NO. 0-2204 PART NO.	DESCRIPTION	LIST PRICE EACH	ITEM NO.	MODEL NO 0-2204 PART NO.	DESCRIPTION	LIST PRICE EACH
1	20299C	Upper Handle & Grip	3.84	16	20062	Woodruff Key	.25	31	20050	Blade Adapter	2.33
2	20244	Switch Assy. W/Key	5.95	17	19x8	Shakeproof Washer (3)	.20	32	20046E	Blade	4.13
3	15x66	Locknut (4)	.25	18	20103	Engine Bolt (3)	.33	33	20094Z	Washer	.22
4	20292	Control Plate & Cable Assy.	2.15	19	20032E	Housing Assy.	14.25	34	17x101	Cup Washer	.41
5	20242	Electric Harness & Clips	3.91	20	20088	Wheel Adjuster Assy. (4)	2.63	35	1x68	Adapter Bolt	.20
6	20245Z	Retainer Clamp	.20	21	20064	Shoulder Bolt (4)	.30	36	20737	Wash Out Plug	.20
7	20089	Control Clamp (2)	.26	22	20109Z	Arm, Axle & Spring Assy.(4)	1.16	37	20240	Battery Pack	51.36
9	3x136	Screw (4)	.20	23	20266	Handle Knob (2)	.55	38	20241	Battery Charger	7.30
11	20129	Contour Head Bolt (2)	.20	24	20113Z	Index Plate Assy. (4)	1.02	48	1x38	Hex Bolt (4)	.20
12	20191C	Lower Handle	1.87	25	20065	Lever Spring Knob (4)	.28	63	20199Z	Handle Bracket L.H.	.90
13	Engine	Briggs & Stratton 92905-1044-01 Repair & Replacement at Briggs & Stratton Service Center		26	15x68	Flanged Locknut (8)	.20	64	20198Z	Handle Bracket R.H.	
14	20181E	Engine Shroud	3.20	27	20104	Wheel & Tire (4)	3.78	65	20167C	Spacer	
15	26x159	Screw (8)	.20	28	17x102	Washer (4)	.20	66	15x67	Locknut (4)	.20
				29	20101	Hair Pin Cotter (4)	.20	67	20243	Battery Clips (2)	.69
				30	20090	Hub Cap (4)	.55				