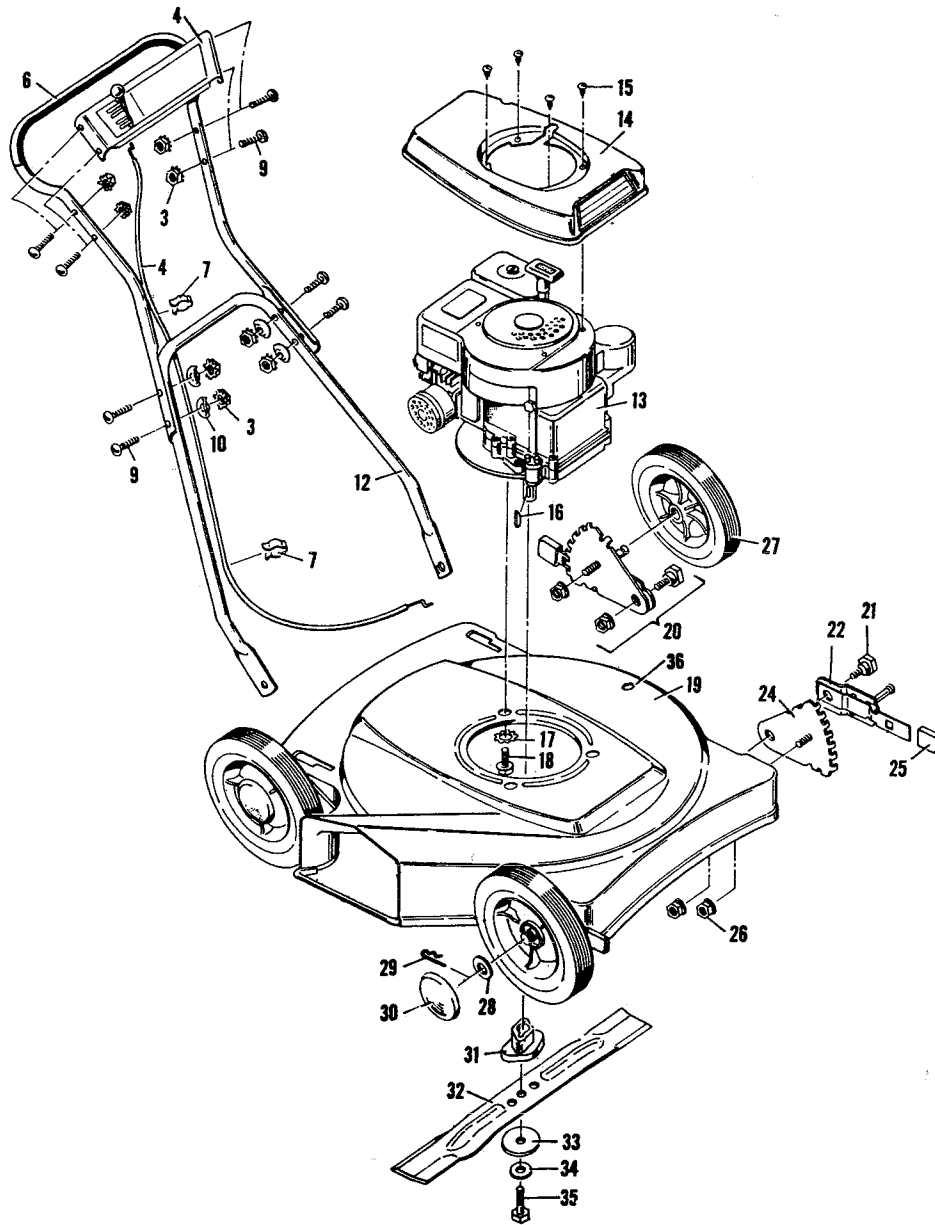


### 0-2203 22" Turquoise Rotary Mower



ITEM NO.	MODEL NO. 0-2203 PART NO.	DESCRIPTION	LIST PRICE EACH	ITEM NO.	MODEL NO. 0-2203 PART NO.	DESCRIPTION	LIST PRICE EACH
3	15x66	Lock Nut (8)	.25	20	20088	Wheel Adjuster Assy. (4)	2.63
4	20220C	Control Plate & Control Assy.	.61	21	20064	Shoulder Bolt (4)	.30
6	20248C	Upper Handle Loop	3.48	22	20109Z	Arm, Axle & Spring Assy. (4)	1.16
7	20089	Cable Clip (2)	.26	24	20113Z	Index Plate Assy.	1.02
9	3x136	Screw (8)	.20	25	20065	Lever Spring Knob (4)	.28
10	20087	Formed Washer	.20	26	15x68	Flange Locknut (8)	.20
12	20058C	Lower Handle	3.42	27	20104	Wheel & Tire (4)	3.78
13	Engine	Briggs & Stratton 92908-1045-01 Repair & Replacement at Briggs & Stratton Repair Center		28	17x102Z	Washer (4)	.20
14	20183E	Engine Shroud	3.20	29	20101	Hair Pin Cotter (4)	.20
15	26x159	Screw (4)	.20	30	20090	Hub Cap (4)	.55
16	20062	Woodruff Key	.25	31	20050	Blade Adapter	2.33
17	19x8	Shakeproof Washer (3)	.20	32	20046E	Blade	4.13
18	20103	Engine Bolt (3)	.33	33	20094Z	Washer	.22
19	20030E	Housing Assy.	22.93	34	17x101	Cup Washer	.41
				35	1x68	Adapter Bolt	.20
				36	20737	Wash Out Plug	.20