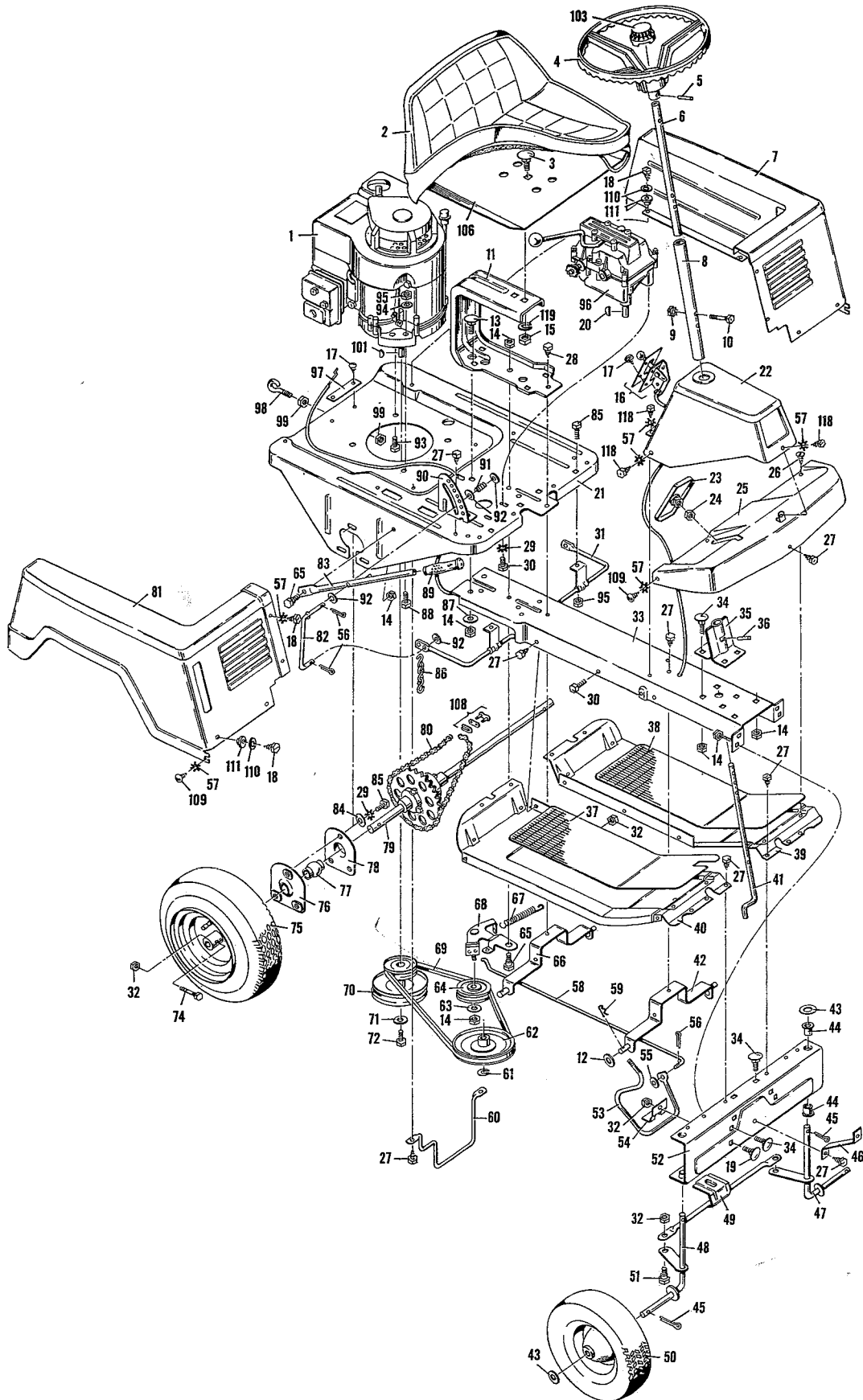


RIDING MOWER MODEL 9-2502 25" YELLOW

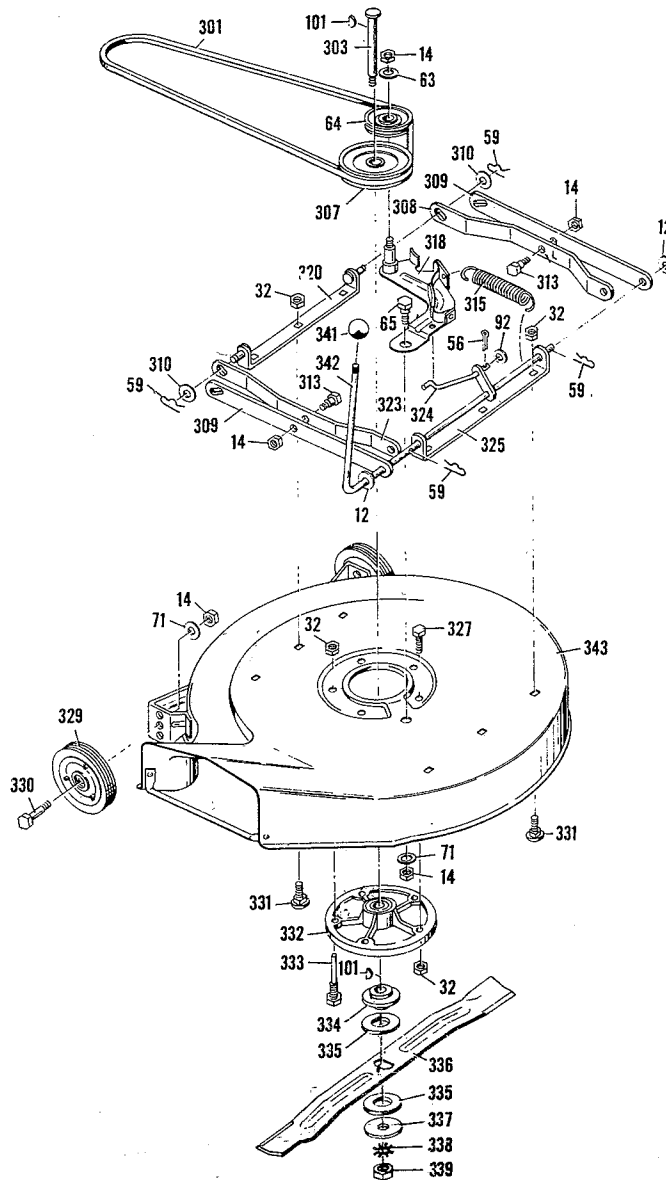


RIDING MOWER

9-2502

ITEM NO.	PART NO.	PART NAME	LIST PRICE EACH	ITEM NO.	PART NO.	PART NAME	LIST PRICE EACH
1	Engine	Briggs & Stratton (130902-0229-01) Repair & Replacement at Briggs & Stratton Service Center		56	30x20	Cotter Pin (3)	\$.20
2	20722	Seat Pad	\$10.88	57	19x1	Sh. Pr. Washer (11)	.20
3	2x55	Carriage Bolt 1/2-13x1	.44	48	20669	Brake Rod	.38
4	20700	Steering Wheel	8.87	59	20692	Hair Pin Cotter (4)	.20
5	32x66	Spring Pin	.20	60	20677	Belt Guide	.42
6	20651	Steering Post Ass'y.	.87	61	20698	Retainer Ring	.20
7	20599	Shroud Ass'y. L. Half	5.29	62	20614	Trans. Pulley	3.18
8	20656	Sleeve Ass'y.	.70	63	17x53Z	Plain Washer	.20
9	15x66	Keps Nut 1/4-20 (2)	.20	64	20613	Idler Pulley	3.85
10	6x58	Hex Cap Screw 1/4-20-1 1/2 (2)	.20	65	20662	Shoulder Bolt (2)	.33
11	20630	Seat Bracket	2.52	66	20665	R.R. Hanger Brkt. Ass'y.	1.85
12	17x67Z	Plain Washer (4)	.20	67	20682	Spring - Drive Idler	.26
13	2x57	Carriage Bolt 3/8-16x3/4 (4)	.20	68	20670	Drive Idler Ass'y.	2.80
14	15x12Z	Locknut 3/8-16 (17)	.20	69	20716	Drive Belt	2.10
15	15x64Z	Hex Nut 1/2-13	.21	70	20626Z	Stack Pulley Ass'y.	3.12
16	20770	Remote Control Unit	2.01	71	10851Z	Plain Washer	.20
17	26x159	Self Tapping Scr. #8x3/8 (4)	.20	72	1x20	Hex Bolt 3/8-24-1	.20
18	26x184	Hex Tapping Scr. #10x3/8 (10)	.20	74	1x75	Hex Bolt 5/16-18x1 3/4 (2)	.20
19	2x53	Carriage Bolt 5/16-18x3/8 (2)	.20	75	20751	RR. Wheel & Tire (2)	24.66
20	20697	Woodruff Key #9	.24		133x1	Tire Only	16.39
21	20530	Engine Base	10.97		134x1	Tube W/Cap	5.38
22	20564	Console Ass'y.	3.18		135x1	Wheel Only	11.63
23	20575E	Pedal Ass'y.	.55	76	20571Z	Outer Brg. Ret. Ass'y. (2)	.50
24	15x63Z	Hex Nut 7/16-14	.27	77	20568	Bronze Bearing (2)	3.07
25	20600	Apron	2.12	78	20570Z	Retainer - Inner (2)	.37
26	26x179	Tapping Scr. - Flat Hd. #10x1/2 (4)	.20	79	20685	Differential & Axle	28.49
27	26x180	Hex Tapping Scr. 5/16x3/8 (21)	.20	80	20732	Roller Chain & Link #41	2.93
28	26x51	Hex Tapping Scr. 5/16x3/8	.23	81	20598	Shroud Ass'y. - R. Half	5.29
29	19x6	Sh. Pr. Washer (10)	.20	82	20672Z	Connector Rod	.45
30	1x45	Hex Bolt 5/16-18x3/8 (6)	.20	83	20658Z	Lever & Pin Ass'y.	.35
31	20635Z	Lifting Rod & Hinge Ass'y.	1.64	84	17x45Z	Plain Washer (6)	.20
32	15x43Z	Locknut 5/16-18 (8)	.23	85	1x63	Hex Bolt 5/16-24x3/8 (8)	.20
33	20544	Frame Channel	.44	86	20699	Chain - Lifter (2)	.21
34	2x56	Carriage Bolt 3/8-16x3/8 (10)	.20	87	17x104	Plain Washer (4)	.20
35	20586	Steering Supt. Ass'y.	.86	88	1x74	Hex Bolt 5/16-24x1 1/4 (3)	.20
36	32x64	Spring Pin	.20	89	20718	Grip	.25
37	20690	Mat R. H.	1.91	90	20636	Index Brkt.	.37
38	20691	Mat L. H.	1.76	91	20680	Spring - Lifter	.20
39	20541	Running Brd. - L. H.	3.47	92	17x46Z	Plain Washer (4)	.20
40	20540	Running Brd. - L. H.	3.47	93	20103	Engine Bolt 3/8-16x1	.33
41	20650Z	Lower Strg. Post	1.37	94	17x47Z	Plain Washer (3)	.20
42	20664	Frnt. Hanger Brkt. Ass'y.	1.79	95	15x42Z	Locknut 5/16-24 (5)	.20
43	27x100Z	Plain Washer (4)	.20	96	20712	Transmission - 2 Spd.	59.84
44	20587	Nylon Bearing (4)	.20	97	94x2	Model No. Plate	.26
45	30x49	Cotter Pin (4)	.20	98	20696	Eye Bolt	.38
46	20639	Apron Support	.27	99	15x33	Hex Nut 3/8-24 (2)	.20
47	20583	Spindle & Arm Ass'y. - L. H.	1.71	101	20062	Woodruff Key #6	.25
48	20582	Spindle & Arm Ass'y. R.	1.71	103	20704	Steering Wh'l. Cap	.47
49	20578	Tie Bar Ass'y.	.70	106	20726	Seat Pan Ass'y.	6.90
50	20742	Frnt. Wheel & Tire (2)	11.13	108	20730	Connecting Link - #41 Chain	.25
51	20660	Shoulder Bolt (2)	.22	109	26x25	Truss Hd. Tap. Scr. #10x1/2 (4)	.20
52	20545	Frnt. Axle Beam	2.94	110	17x106	Pl. Washer (8)	.20
53	20645	Clutch & Brake Lever	.85	111	20720	Grommet (8)	.20
54	20572	Clamp	.20	118	26x185	Hex Tapping Scr. #10x3/8 (5)	.20
55	17x37Z	Plain Washer	.20	119	18x27	Lock Washer	.20

**BLADE HOUSING
RIDING MOWERS
MODELS 9-2501, 9-2502, 9-2503 AND 9-2504**



ITEM NO.	PART NO.	PART NAME	LIST PRICE EACH	ITEM NO.	PART NO.	PART NAME	LIST PRICE EACH	ITEM NO.	PART NO.	PART NAME	LIST PRICE EACH
12	17x67Z	Plain Washer (2)	\$.20	307	20615	Jack Shaft Pulley	\$ 3.03	327*	1x73	Hex Bolt 5/16-18x7/8 (4)	.20
14	15x12Z	Locknut 3/8-16 (6)	.20	308	20643	Inner Arm L. H.	1.03	329	20629	Gauge Wheel (2)	1.22
32	15x43Z	Locknut 5/16-18 (11)	.23	309	20644	Outer Arm (2)	.88	330	20086	Axle Bolt (2)	.28
56	30x20	Cotter Pin	.20	310	17x103	Plain Washer (2)	.20	331	2x54	Step Bolt 5/16-18x5/8 (6)	.38
59	20692	Hair Pin Cotter (4)	.20	313	20661	Shoulder Bolt (2)	.32	332	20551	Jackshaft Hsng. Assy.	6.90
63	17x53Z	Plain Washer	.20	315	20681	Spring	.34	333	20619	Guide Bolt	.22
64	20613	Idler Pulley	3.85	318	20671	Idler Brk't. & Brake Assy.	3.11	334	20617	Blade Adapter	.65
65	20662	Shoulder Bolt	.33	320	20668	RR. Scissor Brk't. Assy.	1.15	335	20618	Blade Cushion (2)	.25
71	10851Z	Plain Washer (3)	.20	321*	20719	Grip	.34	336	20083	Blade	1.98
92	17x46Z	Plain Washer	.20	322*	20676Z	Lever and Link Assy.	1.34	337	20663Z	Washer	.23
101	20062	Woodruff Key #6 (2)	.25	323	20642	Inner Arm R. H.	1.03	338	19x36	Sh. Pr. Washer	.20
301	20717	Blade Belt	3.20	324	20673Z	Rod-Blade Brake	.31	339	15x72	Hex Nut 1/2-20	.20
303	20616	Jack Shaft	2.58	325	20666	Frnt. Scissor Brk't.	.46	343	20550	Housing & Brk'ts. Assy.	17.40

* Exception For Model 2503 & 2504.

321 20739 Knob @ .42
322 20675C Lever & Link Assy. @ 1.47