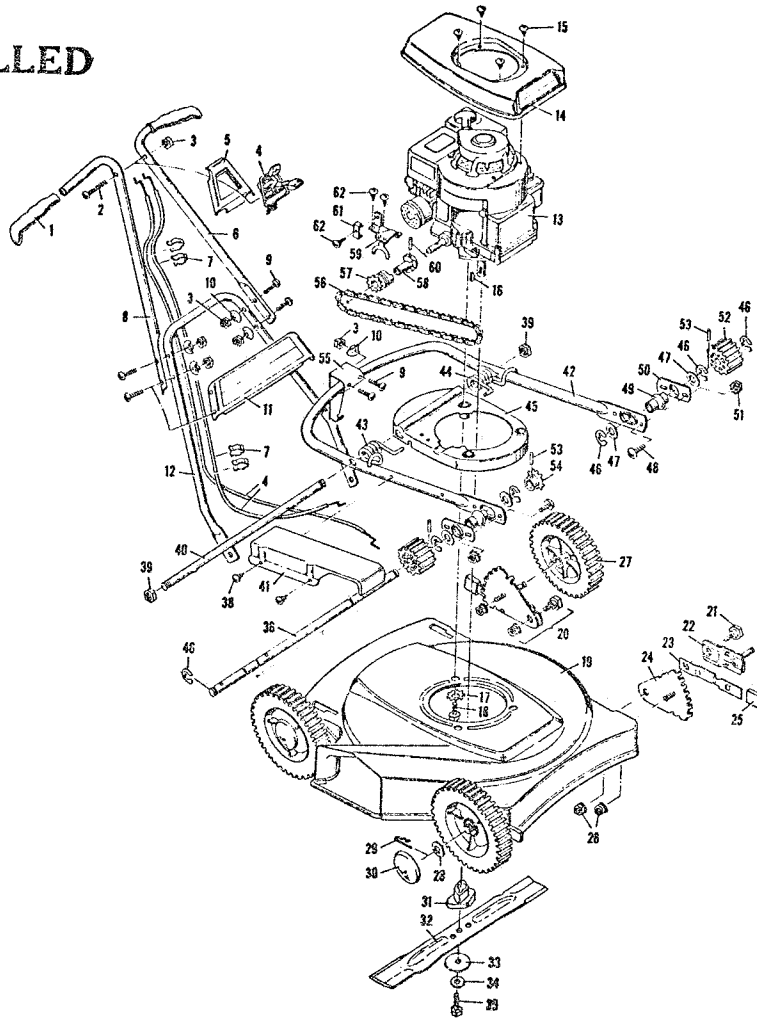


**ROTARY MOWER 22"**  
**8-2252 GOLD**  
**SELF-PROPELLED**



Item No.	Model 8-2252 Part No.	Description	List Price Each	Item No.	Model 8-2252 Part No.	Description	List Price Each
1	20140	Grip (2)	\$ .36	30	20090	Hub Cap (4)	.38
2	3x137	Screw	.25	31	20051	Blade Adapter	2.33
3	15x67	Locknut (7)	.25	32	20046	Blade	4.08
4	20110	Dual Control Assembly	3.35	33	20094Z	Washer	.25
5	20095C	Trim Plate	.64	34	17x101	Cup Washer	.30
6	20061C	Upper Handle L.H.	1.79	35	1x69	Adapter Bolt	.23
7	20089	Cable Clip (4)	.25	36	20084	Drive Shaft	4.25
8	20060C	Upper Handle R.H.	1.79	38	26x159	Screw (2)	.25
9	3x136	Screw (6)	.25	39	15x64Z	Hex Nut (2)	.25
10	20087	Formed Washer (6)	.25	40	20085Z	Pivot Shaft	1.16
11	20098C	Crotch Plate	1.38	41	20093	Chain Guard	1.48
12	20058C	Lower Handle	3.42	42	20013	Drive Arm	3.10
13	Engine	Briggs & Stratton 92982-0380-01 Available Thru Service Center		43	20067C	Torsion Spring R.H.	1.16
14	20097	Engine Shroud	3.20	44	20068C	Torsion Spring L.H.	1.16
15	26x165	Screw (4)	.25	45	20054	Base & Spacer Assy.	2.83
16	20062	Woodruff Key	.25	46	20100	Retainer Ring (6)	.25
17	19x8	Shakeproof Washer (3)	.25	47	17x100Z	Washer (4)	.25
18	20102	Engine Bolt (3)	.25	48	4x24Z	Screw (4)	.25
19	20030	Housing Assembly	22.93	49	20048	Bearing (2)	1.00
20	20088	Wheel Adjuster Assy (4)	2.63	50	20049Z	Bearing Retainer (2)	.25
21	20064	Shoulder Bolt (4)	.25	51	15x66	Nut (4)	.25
22	20109Z	Arm & Axle Assy. (4)	1.60	52	20066	Drive Pinon (2)	1.05
23	20041E	Lever Spring (4) (Welded to 20109Z on Factory Model)	.80	53	32x64	Spring Pin (3)	.25
24	20113Z	Index Plate Assy. (4)	1.28	54	20080	Drive Shaft Sprocket	1.37
	20065	Lever Spring Knob (4)	.25	55	20047E	Spring Latch	1.04
	15x68	Flange Locknut (8)	.25	56	20108	Chain & Link	1.29
27	20105	Wheel & Tire (4)	3.78	57	20055P	Clutch & Sprocket Assy.	1.34
28	17x102Z	Washer (4)	.25	58	20071	Clutch Drive	.90
29	20101	Hair Pin Cotter (4)	.25	59	20075	Shifter Assy	.59
				60	32x65	Spring Pin	.25
				61	20073	Cable Clamp	.25
				62	26x11	Screw (3)	.25