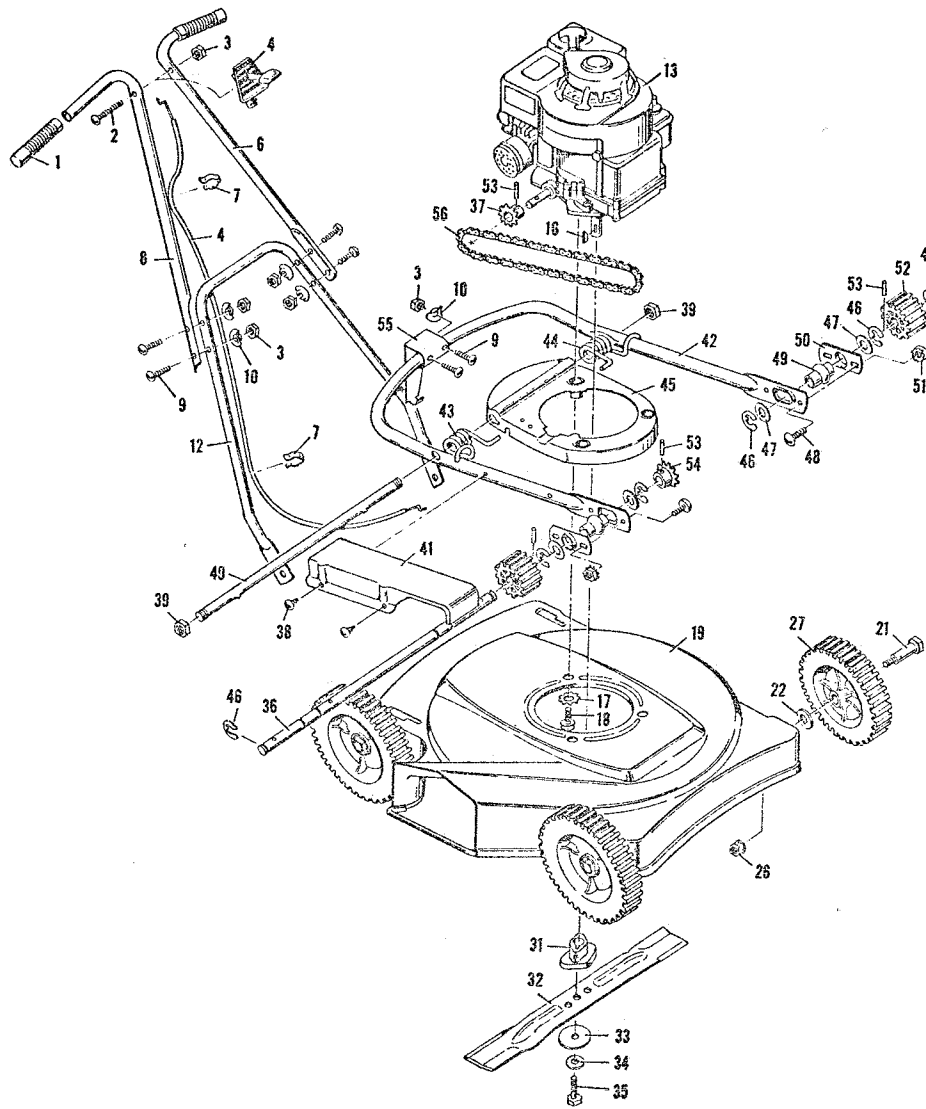


ROTARY MOWER 22"
8-2251 GREEN
SELF-PROPELLED



Item No.	Model 8-2251 Part No.	Description	List Price Each	Item No.	Model 8-2251 Part No.	Description	List Price Each
1	20143	Grip (2)	\$.36	34	17x101	Cup Washer	.30
2	3x137	Screw	.25	35	1x69	Adapter Bolt	.28
3	15x67	Locknut (7)	.25	36	20091	Drive Shaft	4.25
4	20111	Control Assembly	2.55	37	20079	Engine Sprocket	1.37
6	20061C	Upper Handle L.H.	1.79	38	26x159	Screw (2)	.25
7	20089	Cable Clip (2)	.25	39	15x64Z	Hex Nut (2)	.25
8	20060C	Upper Handle R.H.	1.79	40	20085Z	Pivot Shaft	1.16
9	3x136	Screw	.25	41	20093	Chain Guard	1.48
10	20087	Formed Washer (6)	.25	42	20013	Drive Arm	3.10
12	20058C	Lower Handle (6)	3.42	43	20067Z	Torsion Spring R.H.	1.16
13	Engine	Briggs & Stratton 92982-0380-01 Available Thru Service Center		44	20068Z	Torsion Spring L.H.	1.16
16	20062	Woodruff Key	.25	45	20054	Base & Spacer Assy.	2.83
17	19x8	Shakeproof Washer (3)	.25	46	20100	Retainer Ring (6)	.25
18	20102	Engine Bolt (3)	.25	47	17x100Z	Washer (4)	.25
19	20030	Housing Assembly	22.93	48	4x24Z	Screw (4)	.25
21	20086	Axle Bolt (4)	.25	49	20048	Bearing (2)	1.00
22	10851Z	Washer (4)	.25	50	20049Z	Bearing Retainer (2)	.25
26	15x68	Flange Locknut (4)	.25	51	15x66	Nut (4)	.25
27	20105	Wheel & Tire (4)	3.78	52	20066	Drive Pinion (2)	1.05
31	20051	Blade Adapter	2.33	53	32x64	Spring Pin (4)	.25
32	20046	Blade	4.08	54	20080	Drive Shaft Sprocket	1.37
33	20094Z	Washer	.25	55	20047E	Spring Latch	1.25
				56	20108	Chain and Link	1.49