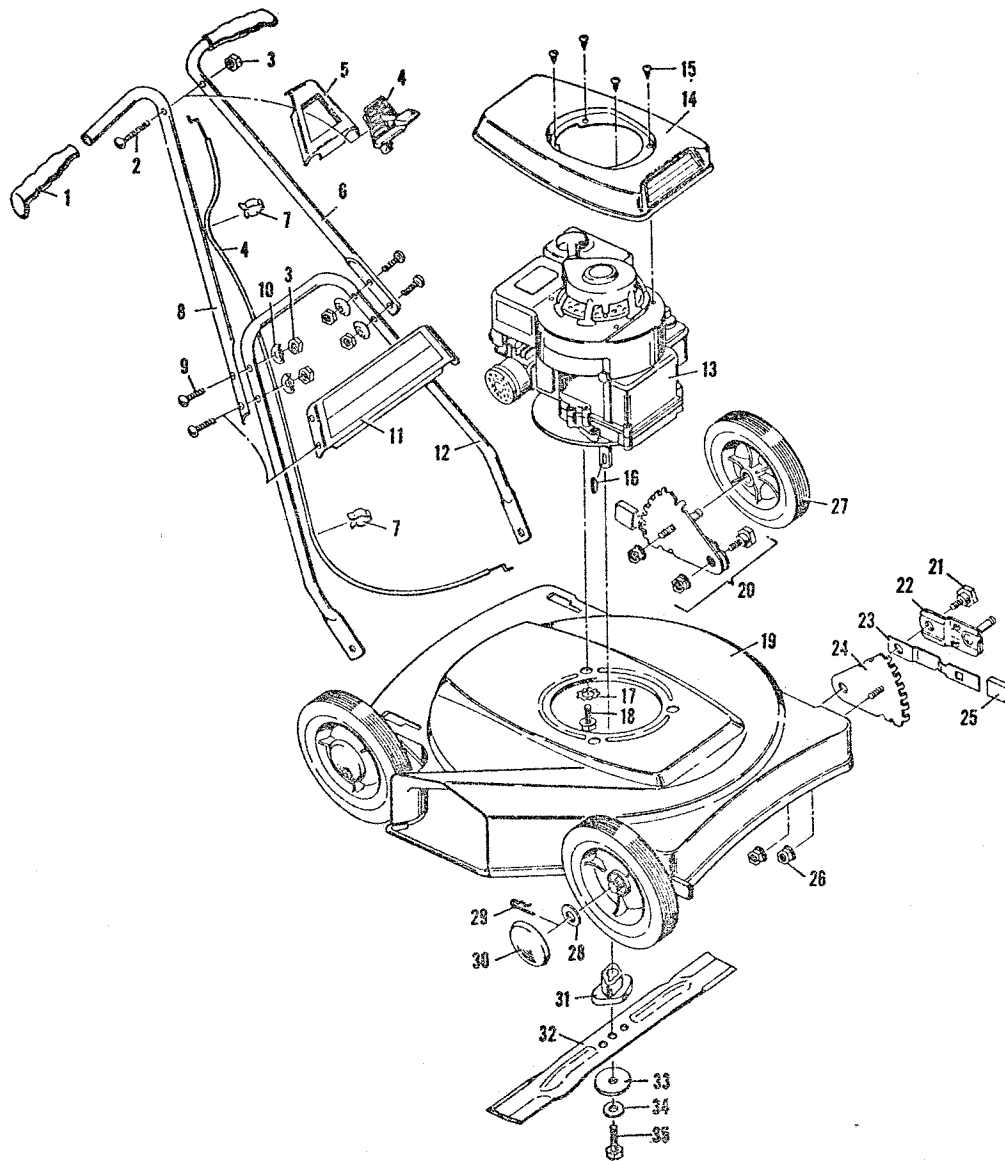


**ROTARY MOWER 22"**  
**8-2202 GOLD**  
**DELUXE**



| Item No. | Model 8-2202 Part No. | Description  | List Price Each | Item No. | Model 8-2202 Part No. | Description                          | List Price Each |
|----------|-----------------------|--|-----------------|----------|-----------------------|--------------------------------------|-----------------|
| 1        | 20140                 | Grip (2)   | \$ .39          | 19       | 20009E                | Housing Assembly                     | 20.03           |
| 2        | 3x137                 | Screw  | .25             | 20       | 20088                 | Wheel Adjuster Assy. (4)             | 2.63            |
| 3        | 15x67                 | Locknut (5)  | .25             | 21       | 20064                 | Shoulder Bolt (4)                    | .25             |
| 4        | 20111                 | Control Assembly   | 2.55            | 22       | 20109Z                | Arm & Axle Assy. (4)                 | 1.60            |
| 5        | 20095C                | Trim Plate   | .64             | 23       | 20041E                | Lever Spring (4)                     | .80             |
| 6        | 20061C                | Upper Handle L.H.  | 1.79            |          |                       | (Welded on 20109Z on Factory Models) |                 |
| 7        | 20089                 | Cable Clip (2)   | .25             | 24       | 20113Z                | Index Plate Assy (4)                 | 1.28            |
| 8        | 20060C                | Upper Handle R.H.  | 1.79            | 25       | 20065                 | Lever Spring Knob (4)                | .25             |
| 9        | 3x136                 | Screw (4)  | .25             | 26       | 15x68                 | Flange Locknut (8)                   | .25             |
| 10       | 20087                 | Formed Washer (4)  | .25             | 27       | 20104                 | Wheel & Tire (4)                     | 3.78            |
| 11       | 20098C                | Crotch Plate   | 1.38            | 28       | 17x102                | Washer (4)                           | .25             |
| 12       | 20058C                | Lower Handle   | 3.42            | 29       | 20101                 | Hair Pin Cotter (4)                  | .25             |
| 13       | Engine                | Briggs & Stratton 92902-0202-02<br>Repair and Replacement at<br>Briggs & Stratton Service Center |                 | 30       | 20090                 | Hub Cap (4)                          | .48             |
| 14       | 20097                 | Engine Shroud  | 3.20            | 31       | 20050                 | Blade Adapter                        | 2.33            |
| 15       | 26x165                | Screw (4)  | .25             | 32       | 20046                 | Blade                                | 4.08            |
| 16       | 20062                 | Woodruff Key   | .25             | 33       | 20094Z                | Washer                               | .25             |
| 17       | 19x8                  | Shakeproof Washer (3)  | .25             | 34       | 17x101                | Cup Washer                           | .30             |
| 18       | 20103                 | Engine Bolt (3)  | \$ .25          | 35       | 1x68                  | Adapter Bolt                         | .25             |