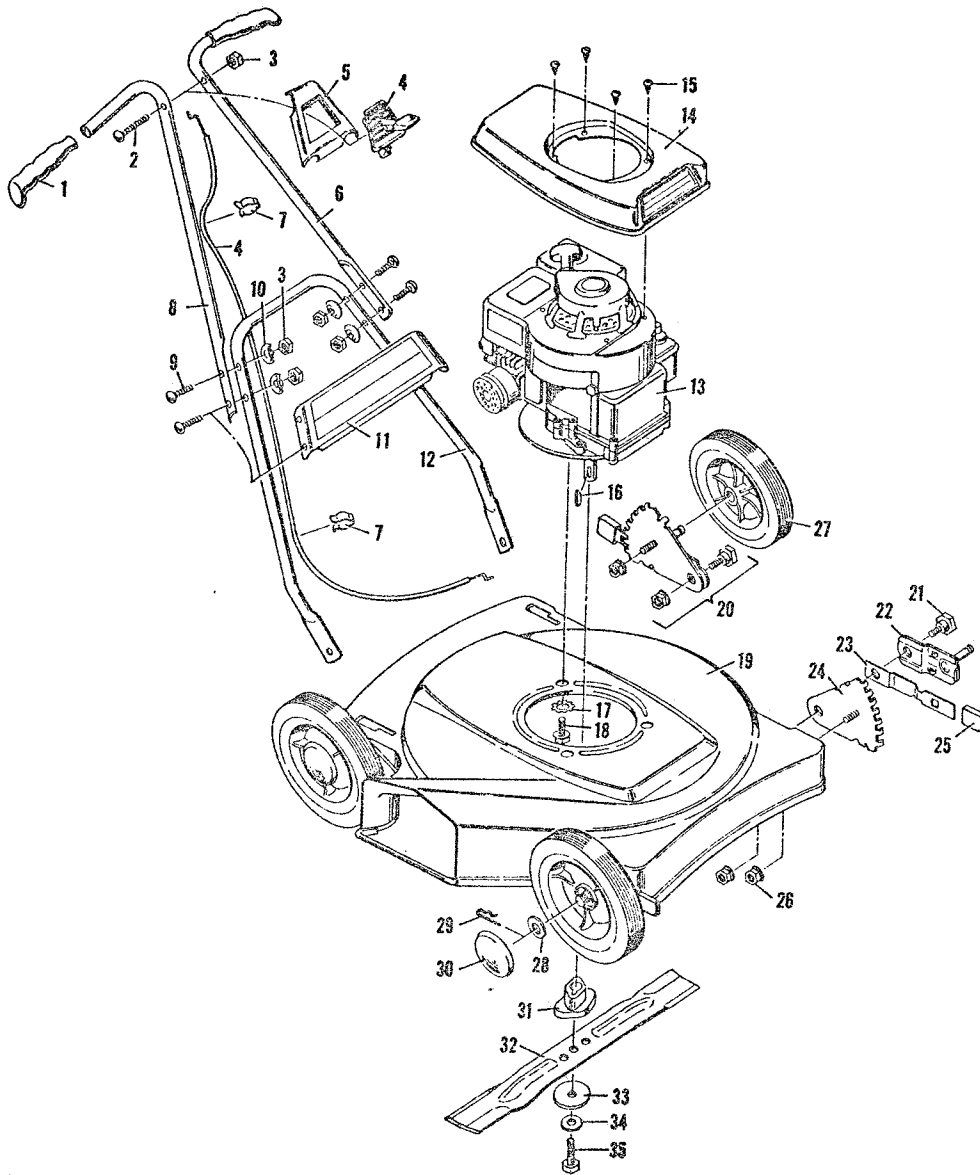


**ROTARY MOWER 20''
8-2002
DELUXE**



Item No.	Model 8-2002 Part No.	Description	List Price Each	Item No.	Model 8-2002 Part No.	Description	List Price Each
1	20140	Grip (2)	\$.39	18	20103	Engine Bolt (3)	\$.25
2	3x137	Screw	.25	19	2009E	Housing Assembly	20.03
3	15x67	Locknut (5)	.25	20	20088	Wheel Adjuster Assy. (4)	2.63
4	20111	Control Assembly	2.55	21	20064	Shoulder Bolt (4)	.25
5	20095C	Trim Plate	.69	22	20109Z	Arm & Axle Assy. (4)	1.60
6	20061C	Upper Handle L.H.	1.79	23	20041E	Lever Spring (4) (Welded on 20109Z on Factory Models)	.80
7	20089	Cable Clip (2)	.25	24	20113Z	Index Plate Assy (4)	1.28
8	20060C	Upper Handle R.H.	1.79	25	20065	Lever Spring Knob (4)	.25
9	3x136	Screw (4)	.25	26	15x68	Flange Locknut (8)	.25
10	20087	Formed Washer (4)	.25	27	20104	Wheel & Tire (4)	3.78
11	20098C	Crotch Plate	1.38	28	17x102	Washer (4)	.25
12	20058C	Lower Handle	3.42	29	20101	Hair Pin Cotter (4)	.25
13	Engine	Briggs & Stratton 92502-0255-01 Repair and Replacement at Briggs & Stratton Service Center		30	20090	Hub Cap (4)	.48
14	20097	Engine Shroud	3.20	31	20050	Blade Adapter	2.33
	26x165	Screw (4)	.25	32	20045	Blade	4.08
	20062	Woodruff Key	.25	33	20094Z	Washer	.25
17	19x8	Shakeproof Washer (3)	.25	34	17x101	Cup Washer	.30
				35	1x68	Adapter Bolt	.25