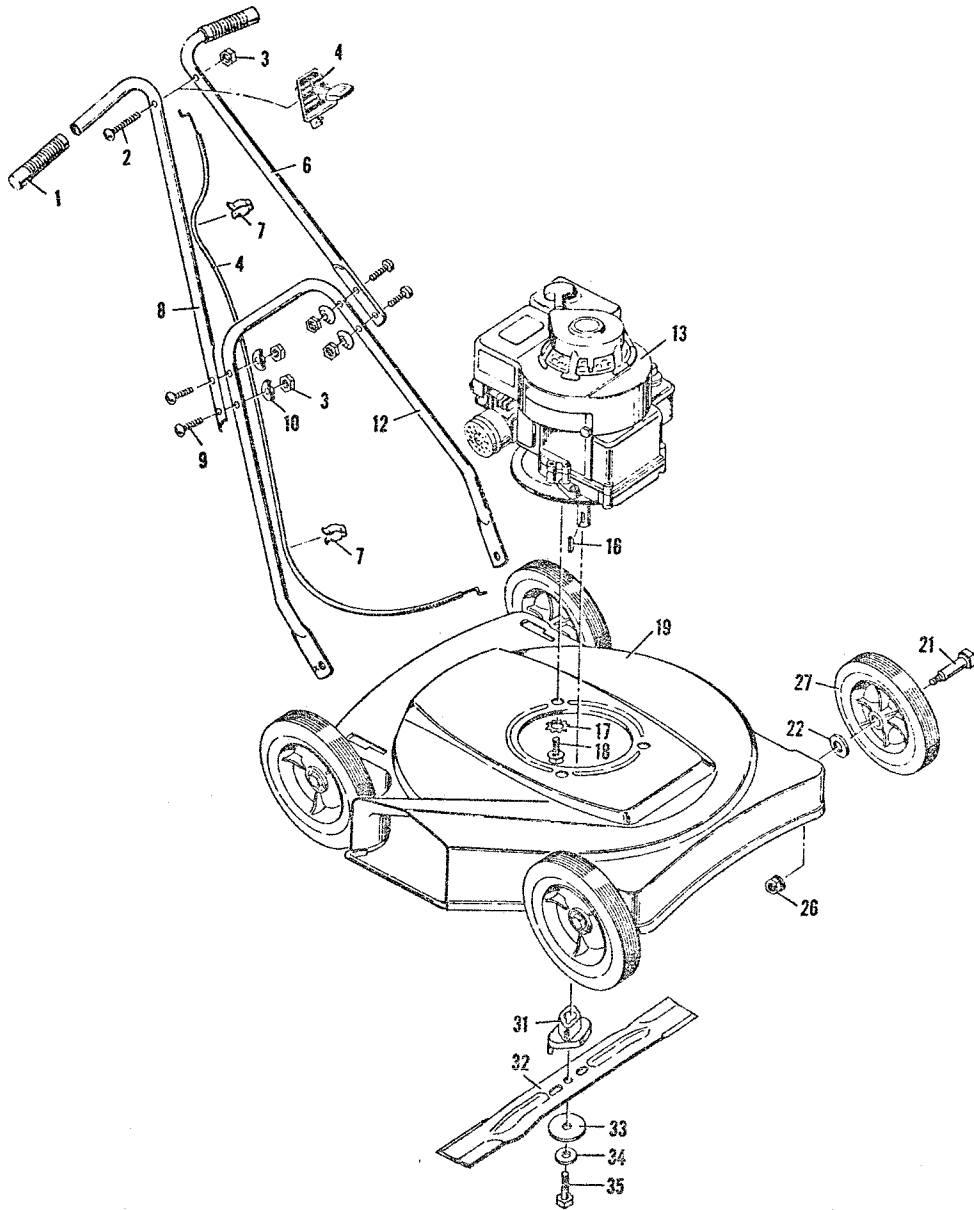


ROTARY MOWER 20"
8-2001 - GREEN



Item No.	Model 8-2001 Part No.	Description	List Price Each	Item No.	Model 8-2001 Part No.	Description	List Price Each
1	20143	Grip (2)	\$.36	16	20062	Woodruff Key	\$.25
2	3x137	Screw	.25	17	19x8	Shakeproof Washer (3)	.25
3	15x67	Locknut (5)	.25	18	20103	Engine Bolt (3)	.25
4	20111	Control Assembly	2.55	19	20009	Housing Assembly	20.03
6	20061C	Upper Handle L.H.	1.79	21	20086	Axle Bolt (4)	.25
7	20089	Cable Clip (2)	.25	22	10851Z	Washer (4)	.25
8	20060C	Upper Handle R.H.	1.79	26	15x68	Flange Locknut (4)	.25
9	3x136	Screw (4)	.25	27	20106	Wheel & Tire (4)	3.78
10	20087	Formed Washer (4)	.25	31	20050	Blade Adapter	2.33
12	20058C	Lower Handle	3.42	32	20045	Blade	4.08
13		Briggs & Stratton 92502-0255-01		33	20094Z	Washer	.25
		Repair and Replacement at		34	17x101	Cup Washer	.30
		Briggs & Stratton Service Center		35	1x68	Adapter Bolt	.25