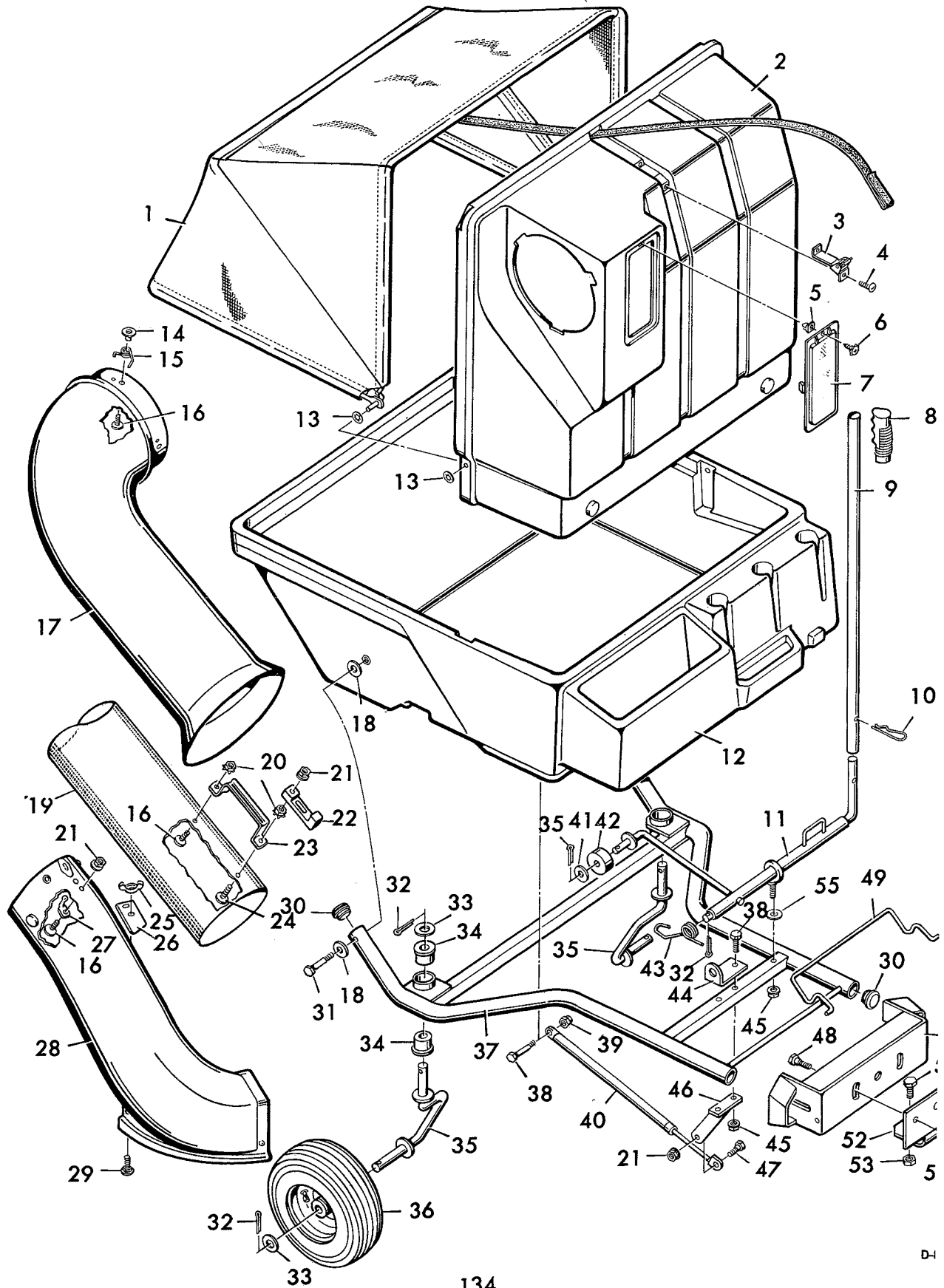


MODEL NO. 9-24850
MODEL NO. 9-24851

VAC WAGO



VAC WAGON**MODEL NO. 9-24850****MODEL NO. 9-24851**

KEY NO.	DESCRIPTION	PART NO.
1	Cover	54647
2	Panel, Front	54637
3	Lock Assembly, Strap	54645
4	Screw	4x20
5	Nut, Expansion	28x56
6	Screw	26x246
7	Window	54512
8	Grip	32766
9	Handle, Container	54619E701
10	Pin, Hair	31x1
11	Bar, Pivot	54607
12	Container	54634
13	Nut, Tinnerman	28x63
14	Nut, Retainer	54669
15	Spring	54670
16	Screw	4x24
17	Elbow	54671
18	Washer	17x152
19	Tube, Connector	54672
20	Nut, Keps	15x66
21	Locknut, Flange	15x89
22	Latch, Rubber	54502
23	Handle	54416
24	Screw	4x71
25	Wingnut	14x83
26	Latch	91814
27	Pin, Latch	54515
28	Tube, Extension	54678
29	Bolt, Carriage	2x64
30	Plug, End	54605
31	Bolt, Shoulder	9x43
32	Pin, Cotter	30x49
33	Washer	17x115
34	Bearing	91334
35	Spindle, Right	54630E701
—	Spindle, Left	54631E701
36	Wheel and Tire	54624
37	Chassis	54603E701
38	Bolt, Hex	1x120
39	Nut, Acorn	14x85
40	Cylinder, Air	54628
41	Washer	17x157
42	Roller	54608
43	Spring	54629
44	Bracket, Pivot	54611
45	Locknut, Flange	15x88
46	Bracket, Cylinder Support	54683
47	Bolt, Shoulder	9x40
48	Bolt, Shoulder	9x41
49	Bar, Latch	54660
50	Hitch	54659E701
51	Bolt, Hex	1x125
52	Plate, Hitch Mount	54661E701
53	Nut, Stover	15x41
54	Nut, Hex	15x108
55	Washer	17x47Z
—	Bag, Assembly Hardware	54600
—	Book, Instruction	F-89911