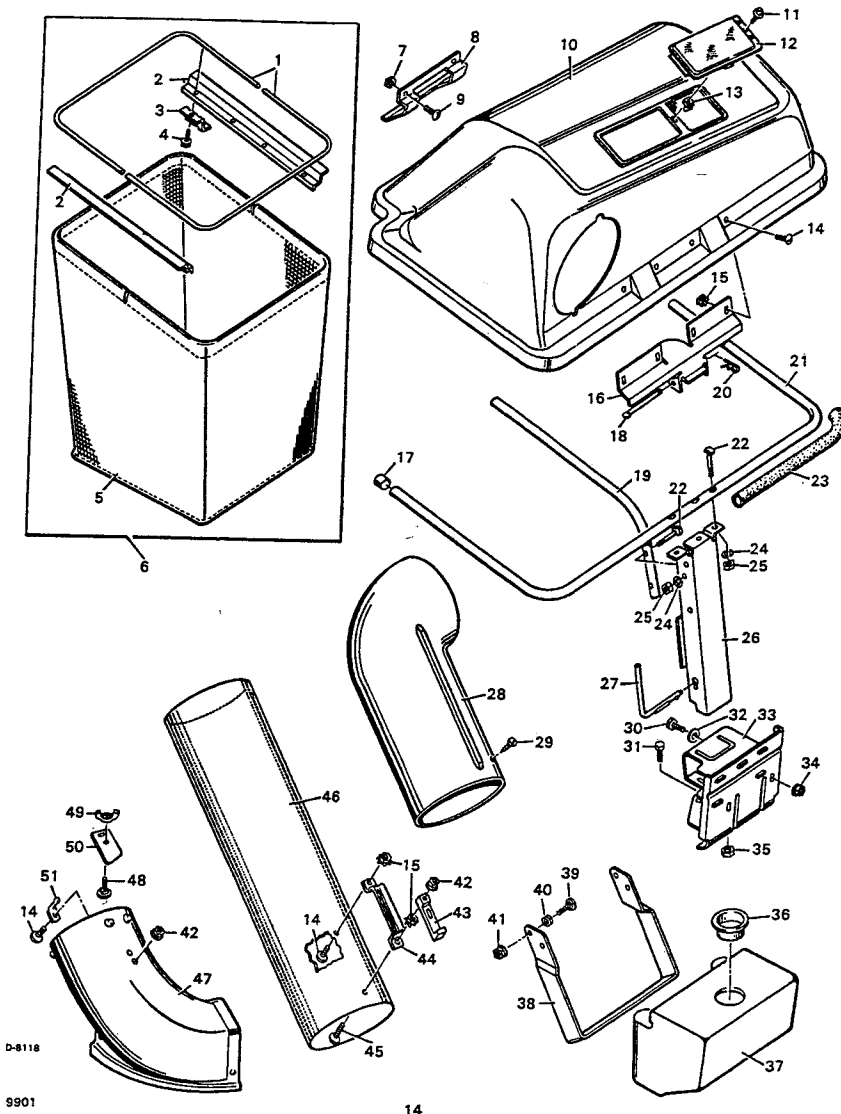


GRASS BAGGER

MODEL 9-24838

FOR 1989

- 9-36600**
- 9-38600**
- 9-38608**
- 9-38620**
- 9-40620**



KEY NO.	DESCRIPTION	PART NO.	KEY NO.	DESCRIPTION	PART NO.
1	Support Tube, Grass Bag	54435E701	28	Elbow	91944
2	Support, Grass Bag Frame	54434E701	29	Screw	26x239
3	Bracket	54536Z	30	Bolt, Hex	1x84
4	Screw	26x204	31	Bolt, Hex	1x125
5	Bag, Cloth	54401	32	Washer	17x51Z
6	Grass Bag Assembly, Complete	54399	33	Mount Assembly, Bagger	91961E701
7	Locknut, Hex	15x81	34	Locknut, Flange	15x108
8	Handle, Plastic	54537	35	Nut, Stover Hex	15x41
9	Screw	4x21	36	Plug, Weight	24863
10	Cover	91968	37	Weight, Front	55441
11	Screw	26x246	38	Support, Front Weight	54552E701
12	Window	54512	39	Bolt, Carriage	2x74
13	Nut, Expansion	28x56	40	Nut, Jam	15x109
14	Screw	4x24	41	Locknut, Flange	15x88
15	Nut, Keps	15x66	42	Locknut, Flange	15x89
16	Hinge, Cover	54398E701	43	Latch, Rubber	54502
17	Cap, End	24862	44	Handle, Connector Tube	54416Z
18	Pin, Hinge Cover	54407Z	45	Screw	4x71
19	Tube, Center	54412E701	46	Tube, Connector	91967
20	Pin, Hair	31x6	47	Tube, Extension	91942
21	Tube, Outer	54410E701	48	Bolt, Carriage	2x64
22	Bolt, Special	6x93	49	Nut, Wing	14x83
23	Cover, Foam	54501	50	Latch, Extension Tube	91814Z
24	Lockwasher	18x15	51	Pin, Latch	54515
25	Nut, Hex	15x62	-	Bag, Plastic Leaf 33"x44" - 40 Gal.	-
26	Channel Assembly	54422E701	-	Bag, Assembly Hardware	91966
27	Pin, Channel	54408Z	-	Book, Instruction	F-89901