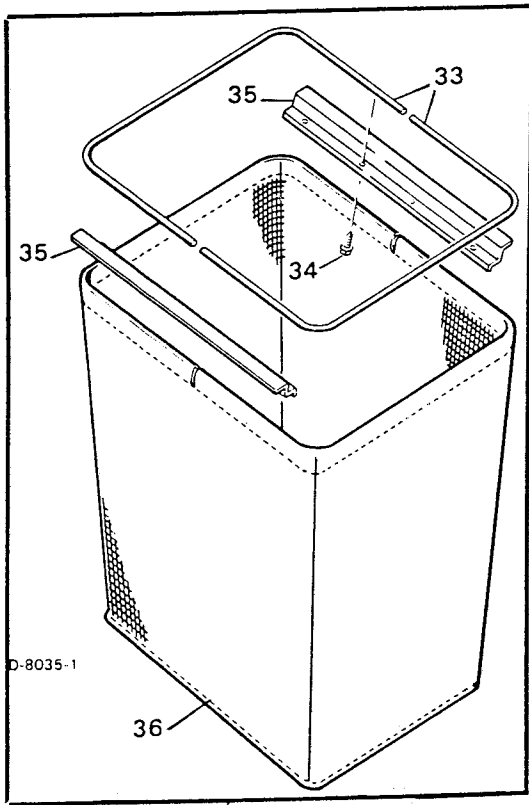


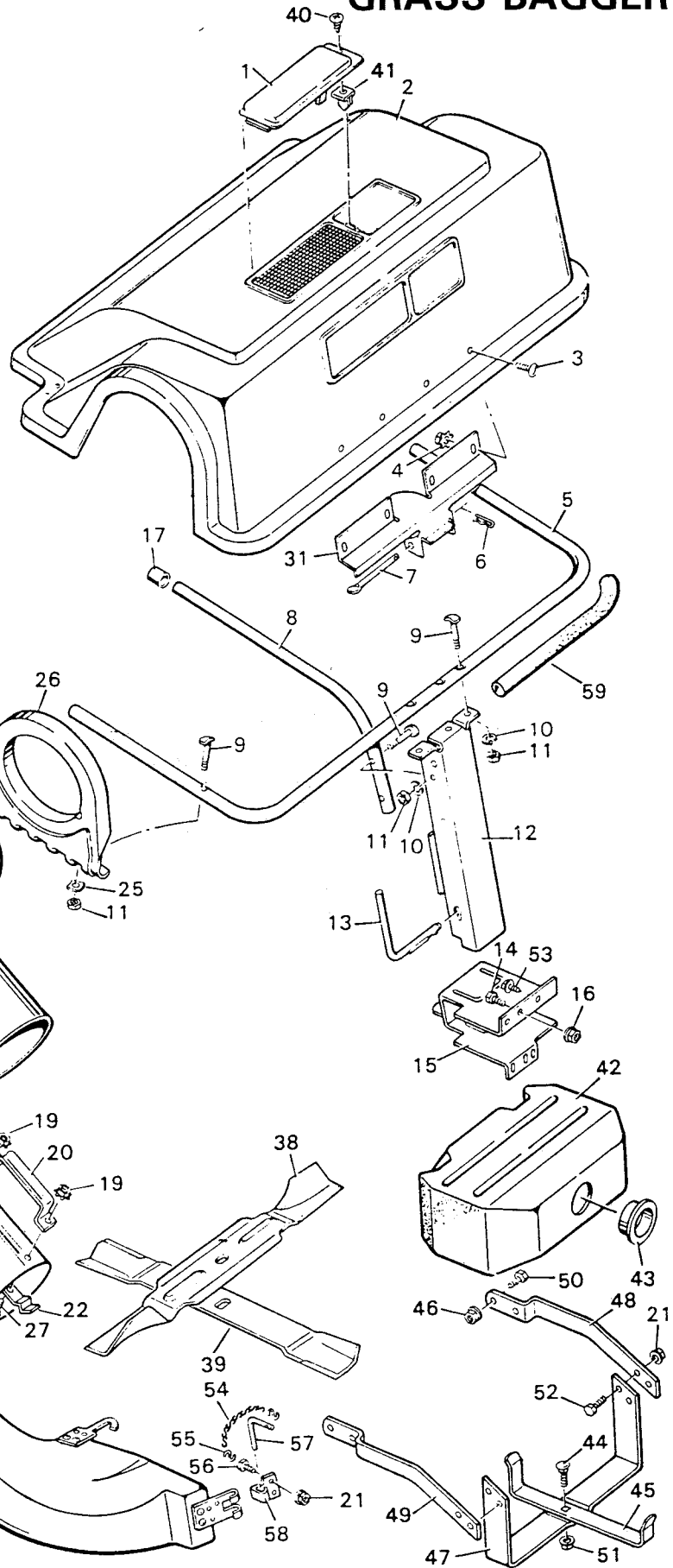
MODEL NO. 8-24336

GRASS BAGGER



D-8035-1

37



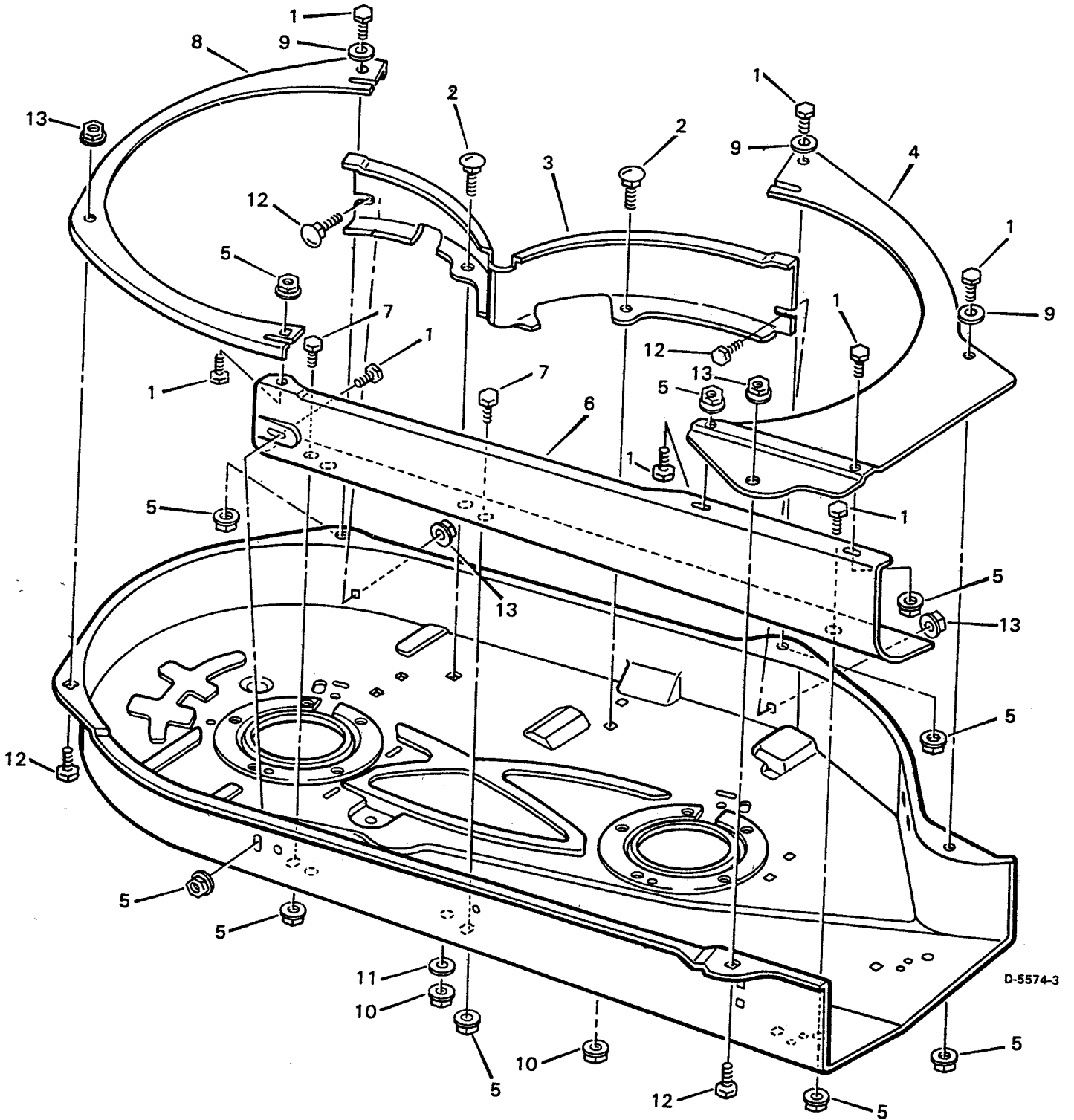
D-8035-1

GRASS BAGGER**MODEL NO. 8-24336**

KEY NO.	DESCRIPTION	PART NO.
1	Window	54512
2	Cover	54511
3	Screw	4X24
4	Locknut	15X66
5	Tube, "U"	54410E701
6	Pin, Hair	31X6
7	Pin, Hinge	54407Z
8	Tube, Center	54412E701
9	Bolt	6X93Z
10	Lockwasher	18X15
11	Nut, Hex	15X62
12	Channel Assembly	54422E701
13	Pin, Channel	54408Z
14	Bolt, Hex	1X91
15	Bracket	54487E701
16	Locknut, Flange	15X76
17	Plug, End	24862
18	Elbow	24865
19	Locknut	15X71
20	Handle, Connector Tube	54416Z
21	Locknut, Flange	15X89
22	Latch	23681
24	Tube, Extension	54368
25	Washer	17X132
26	Holder, Elbow	54369E701
27	Screw	4X18
28	Support Clip	54228Z
29	Tube, Connector	54486
31	Hinge, Cover	54398E701
33	Tube, Grass Bag	54435E701
34	Screw	26X185
35	Support, Bag Frame	54434E701
36	Bag, Cloth	54401
37	Grass Bag, Complete	54399
38	Blade Assembly, 36" Hi-Lift	54421
39	Blade, 36"	54390E701
40	Screw	26X246
41	Nut, Expansion	28X56
42	Shell, Front Weight	55165
43	Plug, Weight	24863
44	Bolt, Carriage	2X56
45	Bracket, Weight	90369E701
46	Nut, Flange	15X87Z
47	Cradle, Weight	90372E701
48	Bracket, Left Support	54507E701
49	Bracket, Right Support	54506E701
50	Bolt, Hex	1X20
51	Nut, Flange	15X84
52	Bolt, Hex	1X95
53	Screw	26X51
54	Chain	24765
55	"S" Hook, Small	21397
56	Bolt, Hex	1X100
57	Pin, "L"	24758Z
58	Hinge, Deflector	90603Z
59	Cover, Foam	54501

MODEL NO. 8-24336

GRASS BAGGER PLATES AND Baffles



D-5574-3

**GRASS BAGGER
PLATES AND BAFFLES**

MODEL NO. 8-24336

KEY NO.	DESCRIPTION	PART NO.
1	Bolt, Hex ¼"-20X½"	1X100
2	Bolt, Carriage 5/16"-18X¾"	2X64
3	Baffle, Rear	54367E701
4	Plate, Discharge	54365E701
5	Locknut, Flange ¼"-20	15X89
6	Baffle, Front	54364E701
7	Bolt, Hex ¼"-20X5/8"	1X38
8	Plate, Left Flange	54366E701
9	Washer	17X38Z
10	Nut, Flange 5/16"-18	15X79Z
11	Washer	17X67Z
12	Bolt, Carriage	2X39
13	Nut, Hex	15X82