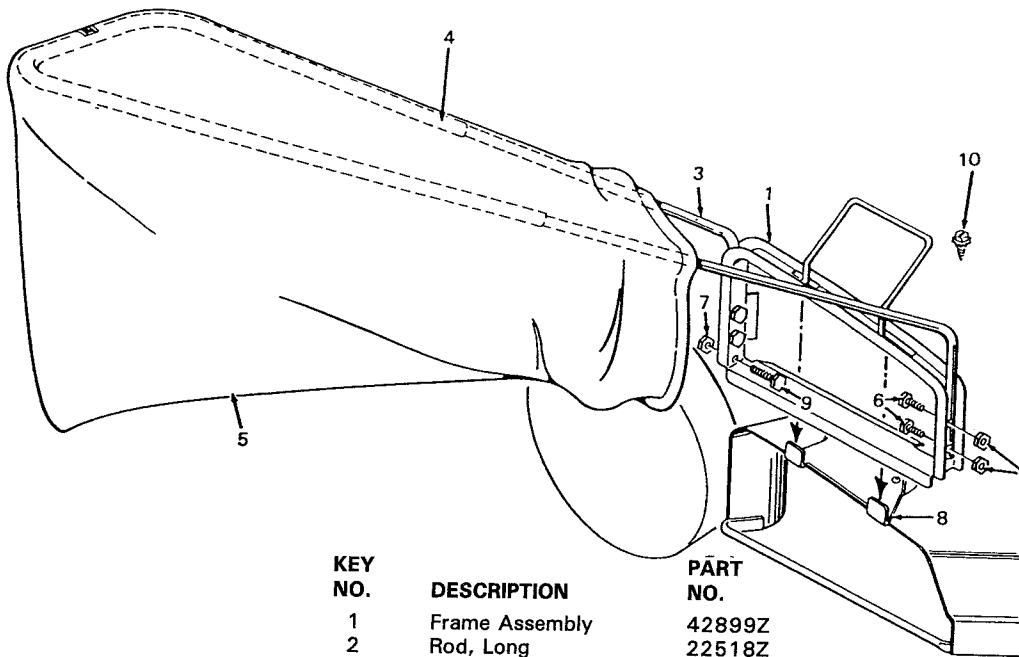


ON GRASS BAGGER

MODEL NO. 9-24065

*** Fits All Murray Side Discharge
From 1975 - 1989**



KEY NO.	DESCRIPTION	PART NO.
1	Frame Assembly	42899Z
2	Rod, Long	22518Z
3	Rod, Short	22517Z
4	Tube, Support	22547Z
5	Grass Bag	42045
6	Hex Bolt	1X95
7	Locknut	15X67
8	Bracket, Support	22519Z
9	Hex Bolt	1X100
10	Screw	26X214
--	Exhaust Deflector*	43011Z
--	Screw*	26X208
--	Parts Bag*	42283

MODEL NO. 24071

**SIDE DISCHARGE ATTACHMENT
FOR 1987 THRU 1989 21" REAR DISCHARGE MOWERS
EXCEPT 9-21000 & 9-21900**

**ASSEMBLY OF THE
SIDE DISCHARGE ATTACHMENT**

To cut grass without using the bagger, use the side discharge assembly instead of the rear grass bag. Assemble as follows:

1. Put the frame assembly on the side discharge attachment.
2. Fasten the frame assembly with the four screws shown full size below.



3. This side discharge attachment mounts on the mower housing like the rear discharge grass bag. Check the instructions "How To Assemble The Grass Bag" in the Owner's Manual for the Mower.

