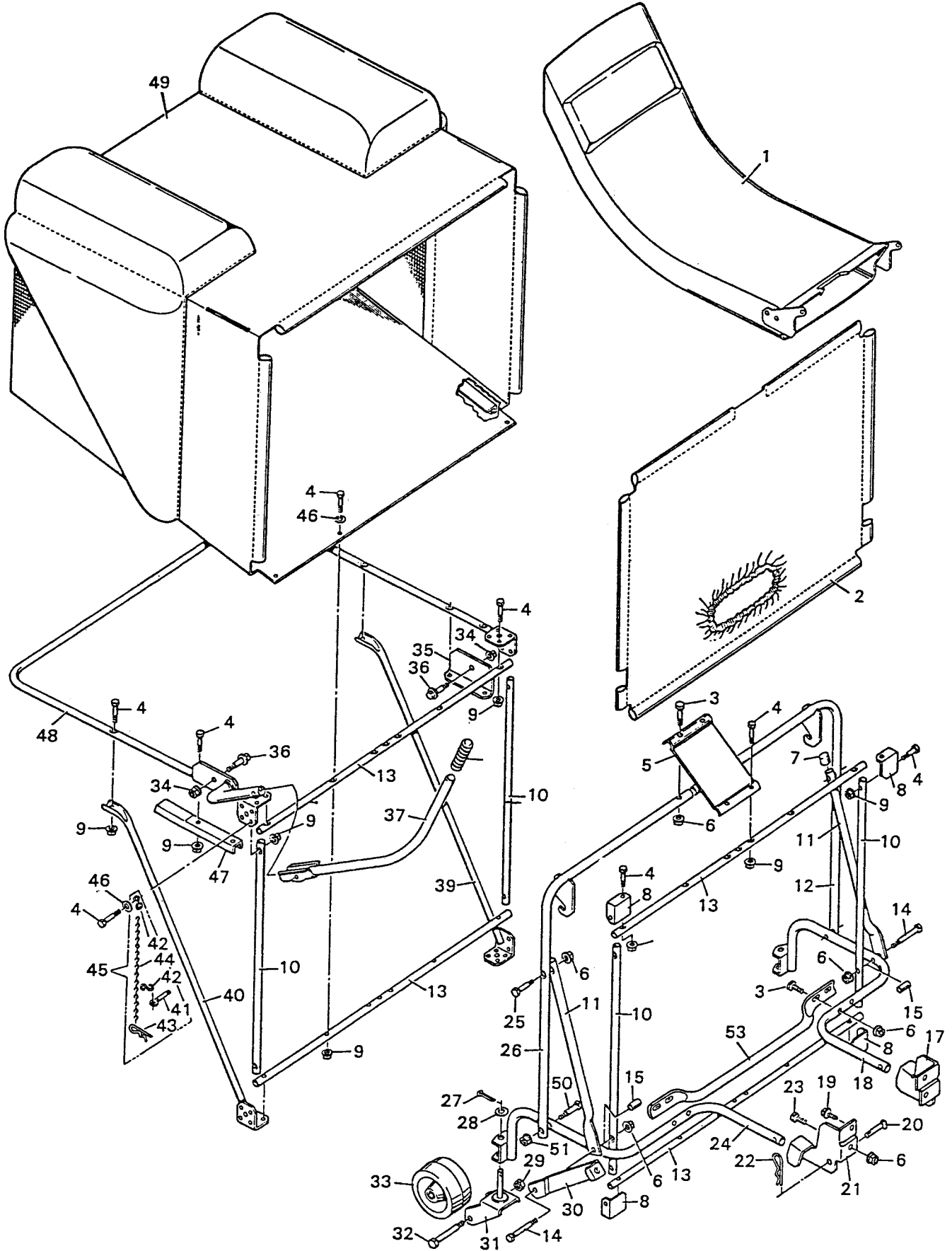


# MODEL NO. 8-24052

# GRASS BAGGER



**GRASS BAGGER****MODEL NO. 8-24052**

KEY NO.	DESCRIPTION	PART NO.
1	Tube, Extension	54440
2	Panel, Front	54482
3	Bolt, Hex 5/16''-18X1 1/2''	1X131
4	Bolt, Hex 1/4''-20X1 1/4''	1X129
5	Support, Panel	54457E701
6	Nut, Hex	15X104
7	Plug, End	24862
8	Bracket, Frame	54445E701
9	Nut, Flange	15X89
10	Tube, Side Frame	54443E701
11	Brace, Hanger Tube	54447E701
12	Hanger Tube Assembly, Left	54453E701
13	Tube, Frame	5444E701
14	Bolt, Hex 5/16''-18X3 1/2''	1X130
15	Spacer	152X1E701
17	Bracket, Left Hitch	54461Z
18	Hitch Tube Assembly, Left	54525E701
19	Screw	26X51
20	Pin, Hitch	54468Z
21	Bracket, Right Hitch	54462Z
22	Pin, Hair	31X1
23	Bolt, Hex 5/16''-18X3/4''	1X91
24	Hitch Tube Assembly, Right	54524E701
25	Bolt, Hex 5/16''-18X2''	1X132
26	Hanger Tube Assembly, Right	54454E701
27	Pin, Cotter	30X49
28	Washer	17X67Z
29	Locknut	15X84Z
30	Latch	54446E701
31	Caster Assembly	54458Z
32	Bolt, Axle	9X33
33	Wheel, Caster	54479
34	Nut, Hex	15X103
35	Bracket, Bag Pivot	54475E701
36	Bolt, Shoulder	9X14
37	Handle Assembly, Upper	54476E701
38	Grip, Handle	75078
39	Side Tube Assembly, Left	54465E701
40	Side Tube Assembly, Right	54464E701
41	Pin	54469Z
42	Hook, "S"	21397
43	Pin, Hair	31X6
44	Chain	54483
45	Chain Assembly	54484
46	Washer	17X37Z
47	Support, Tube	54467E701
48	Tube Assembly, Upper	54470E701
49	Grass Bag	54528
50	Bolt	1X136
51	Nut, Hex	15X106
52	Manual, Owner's	F-88905
53	Brace, Hitch Tube	54521E701