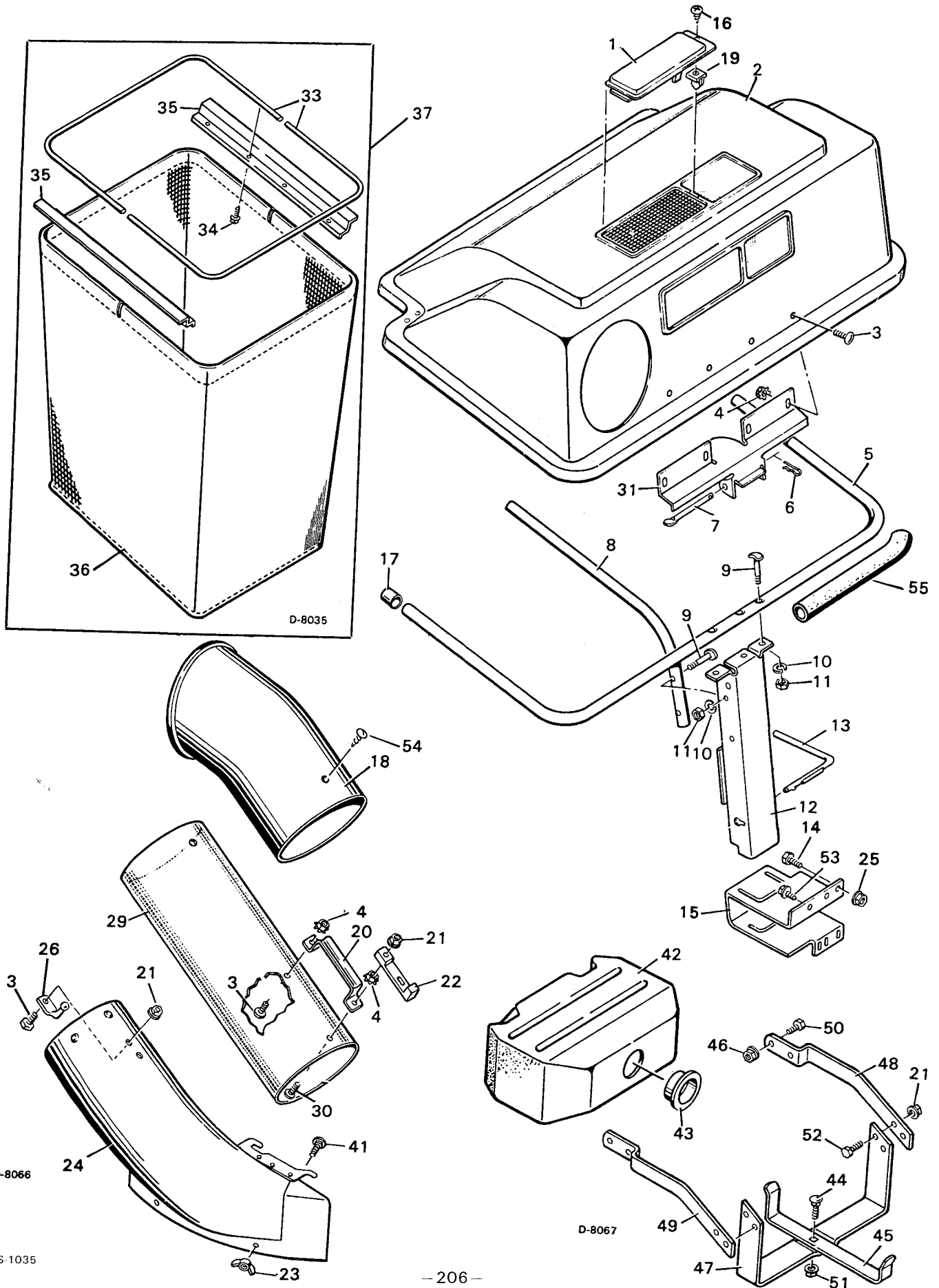


# MODEL NO. 8-24051

# GRASS BAGGER



**GRASS BAGGER****MODEL NO. 8-24051**

KEY NO.	DESCRIPTION	PART NO.
1	Window	54512
2	Cover	54510
3	Screw	4X24
4	Locknut	15X66
5	Tube, "U"	54410E701
6	Pin, Hair	31X6
7	Pin, Hinge	54407Z
8	Tube, Center	54412E701
9	Bolt	6X93Z
10	Lockwasher	18X15
11	Nut, Hex	15X62
12	Channel Assembly	54422E701
13	Pin, Channel	54408Z
14	Bolt, Hex	1X91
15	Hitch Assembly	54499E701
16	Screw	26X246
17	Plug, End	24862
18	Elbow	54415
19	Nut, Expansion	28X56
20	Handle, Connector Tube	54416Z
21	Locknut, Flange	15X89
22	Latch	54502
23	Wingnut	14X83Z
24	Tube, Extension	54543
25	Locknut	15X76
26	Pin, Latch	54515
29	Tube, Connector	54514
30	Screw	4X71
31	Hinge, Cover	54398E701
33	Tube, Grass Bag**	54435E701
34	Screw**	26X185
35	Support, Bag Frame**	54434E701
36	Bag, Cloth**	54401
37	Grass Bag, Complete	54399
41	Bolt, Carriage	2X64
42	Shell, Front Weight	55165
43	Plug, Weight	24863
44	Bolt, Carriage	2X56
45	Bracket, Weight	90369E701
46	Nut, Flange	15X87
47	Cradle, Weight	90372E701
48	Bracket, Left Support	54507E701
49	Bracket, Right Support	54506E701
50	Bolt, Hex	1X20
51	Nut, Flange	15X84
52	Bolt, Hex	1X95
53	Screw	26X51
54	Screw	26X239
55	Cover, Foam	54501

\*\* Also included with Key No. 37.