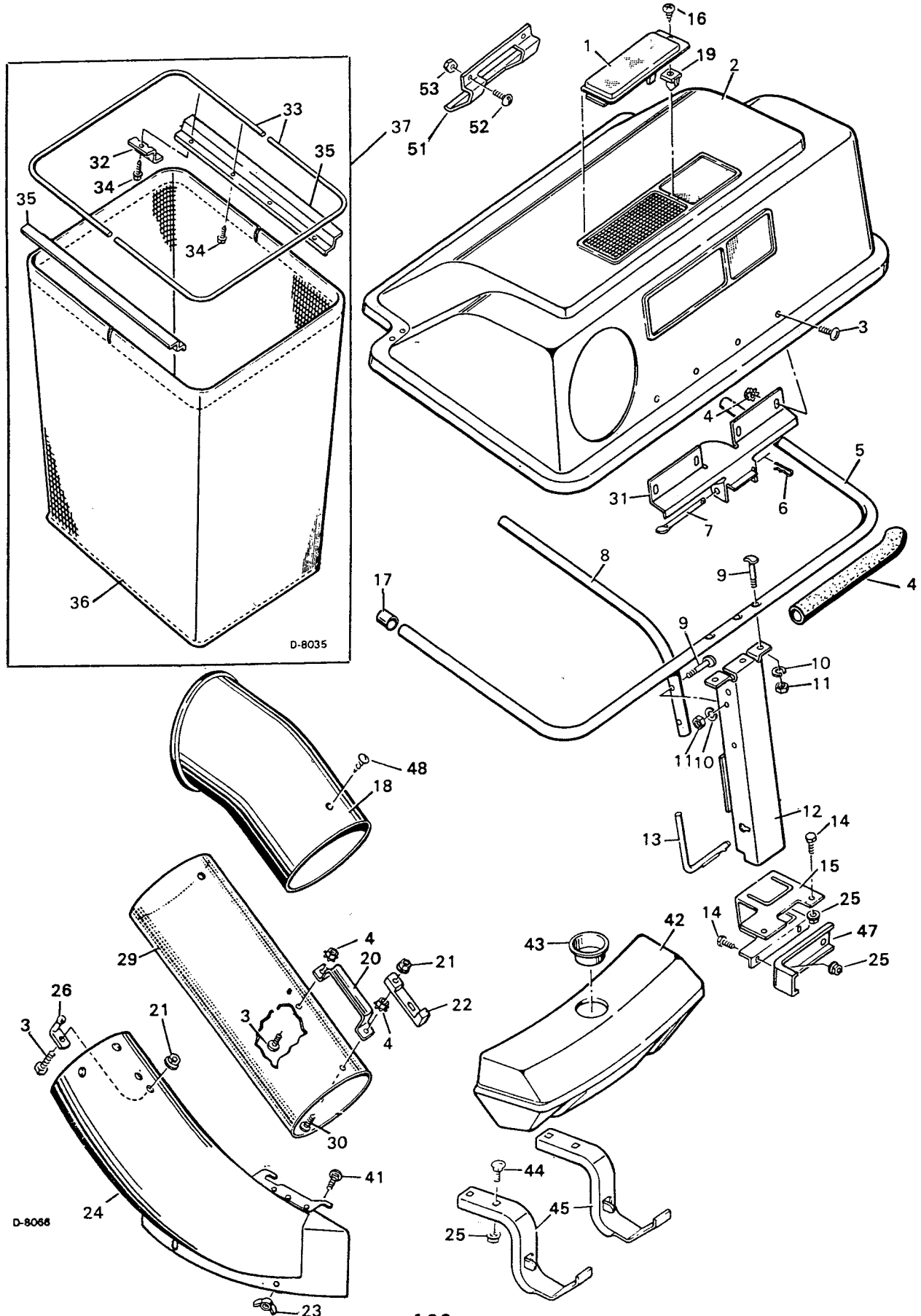


MODEL NO. 9-24050

GRASS BAGGER



**GRASS BAGGER  
FOR 1988-89 REAR ENGINE  
RIDER 30" DECK**

**MODEL NO. 9-24050**

| KEY NO. | DESCRIPTION            | PART NO.  |
|---------|------------------------|-----------|
| 1       | Window                 | 54512     |
| 2       | Cover                  | 54540     |
| 3       | Screw                  | 4x24      |
| 4       | Locknut                | 15x66     |
| 5       | Tube, "U"              | 54410E701 |
| 6       | Pin, Hair              | 31x6      |
| 7       | Pin, Hinge             | 54407Z    |
| 8       | Tube, Center           | 54412E701 |
| 9       | Bolt                   | 6x93Z     |
| 10      | Lockwasher             | 18x15     |
| 11      | Nut, Hex               | 15x62     |
| 12      | Channel Assembly       | 54422E701 |
| 13      | Pin, Channel           | 54408Z    |
| 14      | Bolt, Hex              | 1x91      |
| 15      | Hitch Assembly         | 54499E701 |
| 16      | Screw                  | 26x246    |
| 17      | Cap                    | 24862     |
| 18      | Elbow                  | 54415     |
| 19      | Nut, Expansion         | 28x56     |
| 20      | Handle, Connector Tube | 54416Z    |
| 21      | Locknut, Flange        | 15x89     |
| 22      | Latch                  | 54502     |
| 23      | Wingnut                | 14x83     |
| 24      | Tube, Extension        | 54519     |
| 25      | Locknut                | 15x76     |
| 26      | Pin, Latch             | 54515     |
| 29      | Tube, Connector        | 54514     |
| 30      | Screw                  | 4x71      |
| 31      | Hinge, Cover           | 54398E701 |
| 32      | Bracket                | 54536Z    |
| 33      | Tube, Grass Bag        | 54435E701 |
| 34      | Screw                  | 26x204    |
| 35      | Support, Bag Frame     | 54434E701 |
| 36      | Bag, Cloth             | 54401     |
| 37      | Grass Bag, Complete    | 54399     |
| 41      | Bolt, Carriage         | 2x64      |
| 42      | Shell, Front Weight    | 55442     |
| 43      | Plug, Weight           | 24863     |
| 44      | Screw                  | 4x70      |
| 45      | Bracket, Weight        | 55444E701 |
| 47      | Bracket, Support       | 54500E701 |
| 48      | Screw                  | 26x239    |
| 49      | Cover, Foam            | 54501     |
| 51      | Handle                 | 54537     |
| 52      | Screw                  | 4x21      |
| 53      | Nut, Hex               | 15x81     |
|         | Parts List             | F-89905   |
|         | Parts Bag, Hardware    | 54547     |

Bag - Plastic Leaf 33" x 44" - 40 Gal.