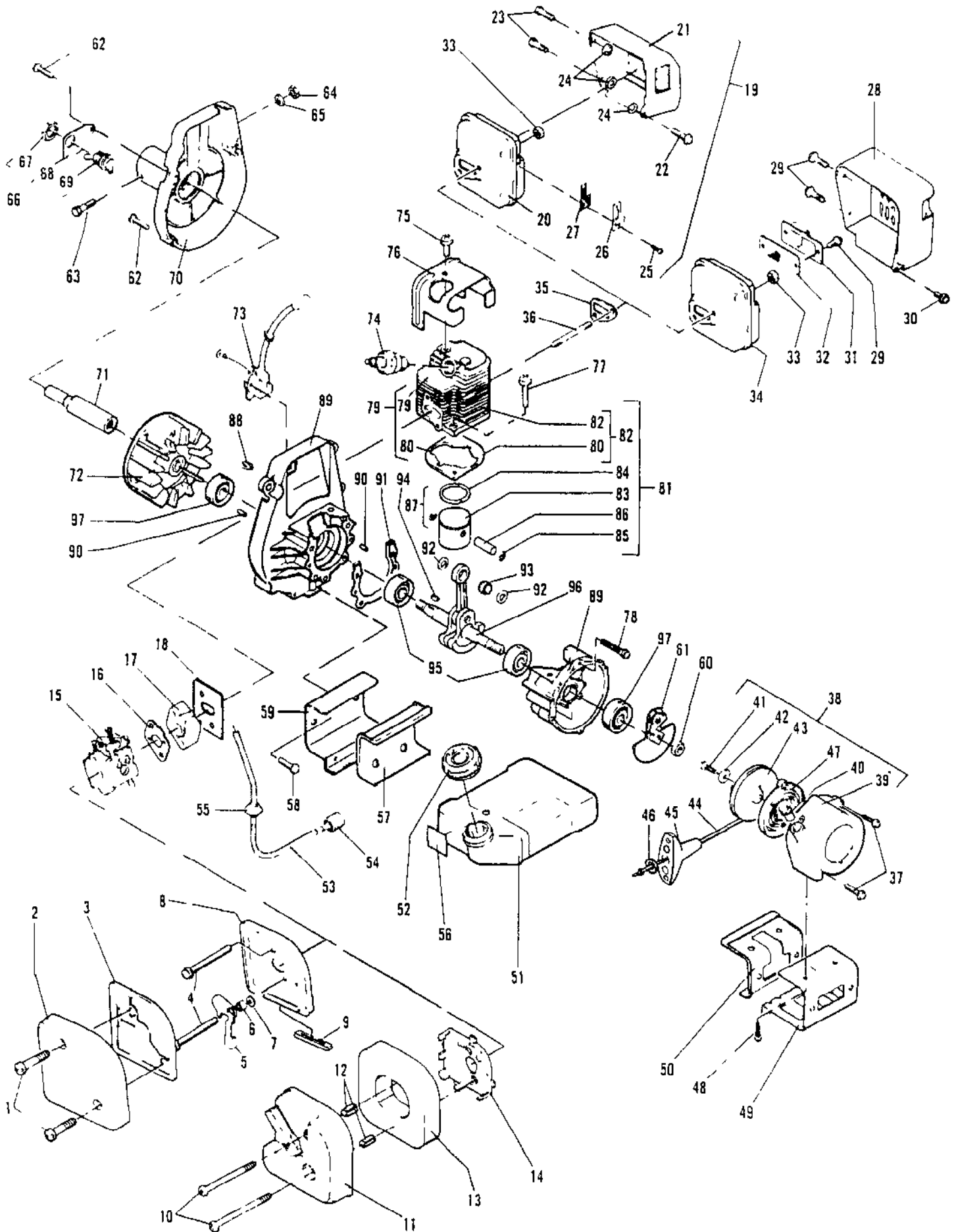


Ref #	Part Number	Qty	Description
	217149		Carburetor Assembly (ZAMA CIS-M9)
1		2	Screw - Cover Not available separately.
2		1	Cover - Diaphragm Not available separately.
3		1	Gasket - Main Not available separately.
4		1	Diaphragm - Main Not available separately.
5		1	Screw - Lever Pin Not available separately.
6		1	Pin - Lever Arm Not available separately.
7		1	Disk Not available separately.
8		1	Lever - Pin Arm. Not available separately.
9		1	Spring - Lever Pin Not available separately.
10		1	Valve - Needle Arm Not available separately.
11		1	Plug - Welch Not available separately.
12		1	Needle - Main Adjustment Not available separately.
13		1	Spring - Adjustment Needle Not available separately.
14		1	Screw - Fuel Pump Cover Not available separately.
15		1	Cover - Fuel Pump Not available separately.
16		1	Gasket - Fuel Pump Not available separately.
17		1	Diaphragm - Fuel Pump Not available separately.
18		1	Strainer Not available separately.

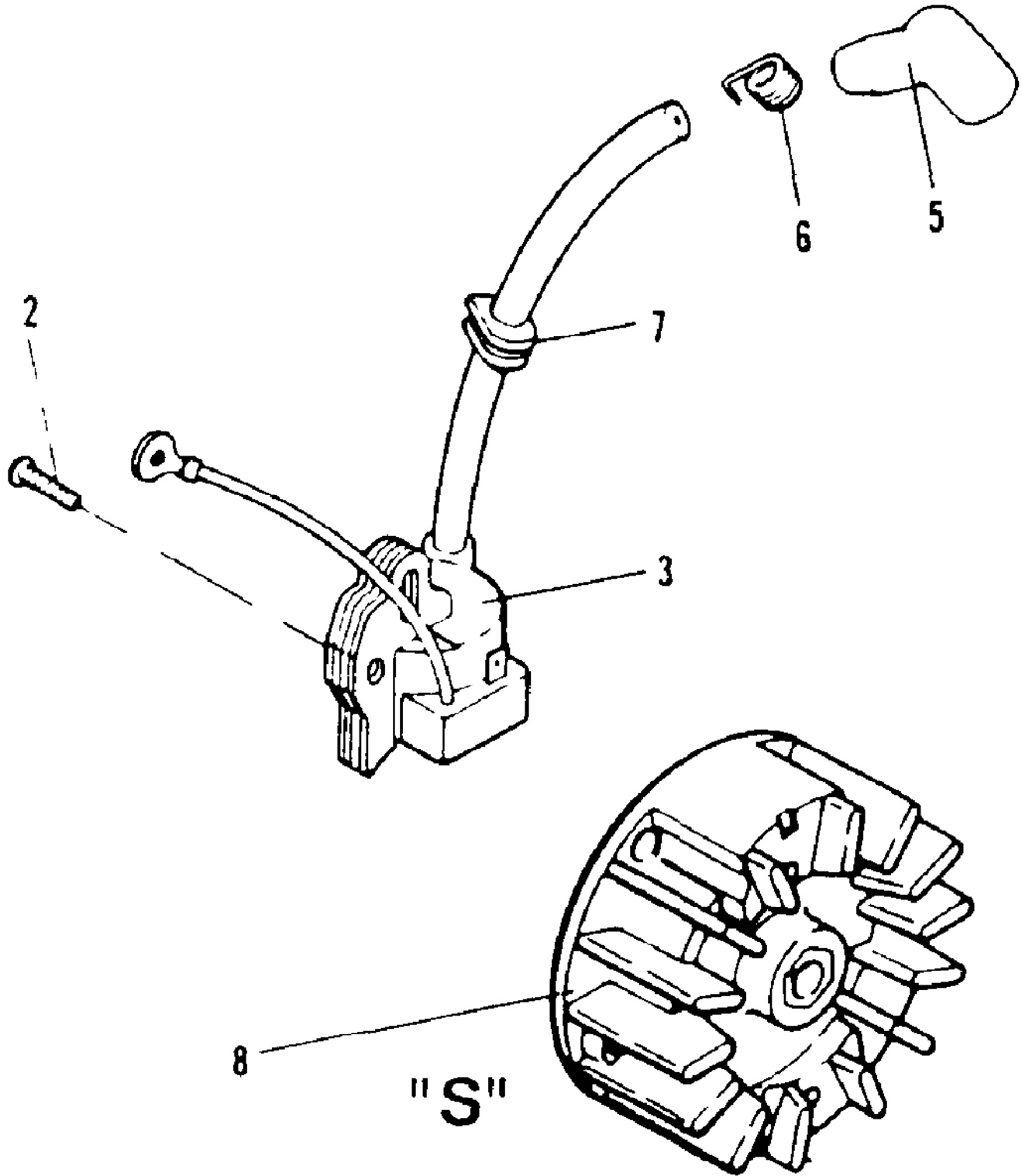


Ref #	Part Number	Qty	Description
1	217669	2	Screw - M4 x 25 (15-25 in. lb. torque)
2	215988	1	Cover - Air Filter
3	217376	1	Filter - Air
4	216903	2	Screw - M5 x 55 (18-25 in. lb. torque)
5	215991	1	Shutter - Choke
6	215993	1	Spacer
7	216591	1	Washer - M5 Flat
8	216108	1	Kit - Air Box/Grommet
9	215992	1	Grommet This is a new part number, different from the one listed in the previous IPL for this unit.
10	219078	2	Screw - M5 X 69 Sems This is a new part number, different from the one listed in the previous IPL for this unit. (18-25 in. lb. torque)
11	223196	1	Cover Asy - Choke This is a new part number, different from the one listed in the previous IPL for this unit.
12	219023	2	Insert - A/C Cover This is a new part number, different from the one listed in the previous IPL for this unit.
13	219145	1	Filter - Air (Foam) This is a new part number, different from the one listed in the previous IPL for this unit.
14	222758	1	Box - Air This is a new part number, different from the one listed in the previous IPL for this unit.
15		1	Carburetor Assembly See "Carburetor Assembly" illustration and parts list.
16	218933	1	Gasket - Carburetor This is a new part number, different from the one listed in the previous IPL for this unit.
17	219070	1	Insulator - Carburetor This is a new part number, different from the one listed in the previous IPL for this unit.
18	216575	1	Gasket/Shield Insulator
19	219963	1	Kit - Muffler/Shield This is a new part number, different from the one listed in the previous IPL for this unit.
20	219152	1	Muffler Assembly This is a new part number, different from the one listed in the previous IPL for this unit.
21	218962	1	Shield - Muffler This is a new part number, different from the one listed in the previous IPL for this unit.
22	217669	1	Screw - M4 x 25 This is a new part number, different from the one listed in the previous IPL for this unit. (12-16 in. lb. torque)
23	219508	2	Screw - M4 x 17 This is a new part number, different from the one listed in the previous IPL for this unit. (10-15 in. lb. torque)
24	219079	3	Spacer - Muffler Shield This is a new part number, different from the one listed in the previous IPL for this unit.

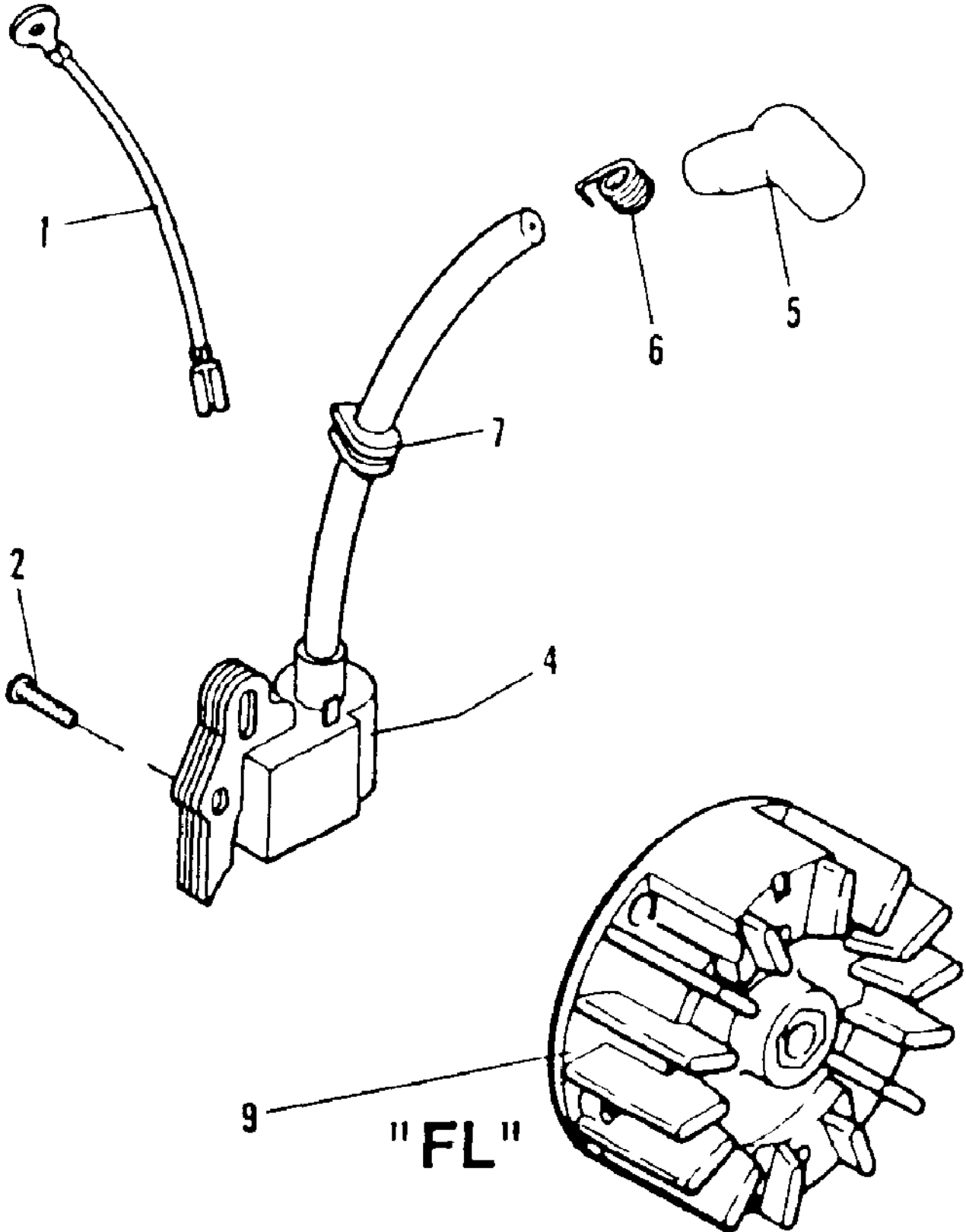
Ref #	Part Number	Qty	Description
25	219194	2	Screw - 5-20 x .438 This is a new part number, different from the one listed in the previous IPL for this unit. (12-16 in. lb. torque)
26	219150	1	Cover - Spark Arrestor This is a new part number, different from the one listed in the previous IPL for this unit.
27	219149	1	Screen - Spark Arrestor This is a new part number, different from the one listed in the previous IPL for this unit.
28	215753	1	Shield/Muffler
29	216025	3	Screw - M4 x 8 (25-30 in. lb. torque)
30	213177	1	Screw - M4.2 x 18.5 (12-16 in. lb. torque)
31	217318	1	Cover - Screen This is a new part number, different from the one listed in the previous IPL for this unit.
32	215516	1	Screen - Spark Arrestor
33	222247	2	Nut - Stud This is a new part number, different from the one listed in the previous IPL for this unit. (41-50 in. lb. torque)
34	215506	1	Muffler
35	215515	1	Gasket - Muffler
36	222480	2	Stud - Muffler This is a new part number, different from the one listed in the previous IPL for this unit.
37	213177	2	Screw - M4.2 x 18.5 (12-16 in. lb. torque)
38	218490	1	Starter Assembly This is a new part number, different from the one listed in the previous IPL for this unit.
39	217711	1	Housing - Starter This is a new part number, different from the one listed in the previous IPL for this unit.
40	217030	1	Guide - Rope
41	215874	1	Screw - M4 x 9.5 (18-20 in. lb. torque)
42	216590	1	Washer - M4 Flat
43	216092	1	Drum/Rope Asy
44	216093	1	Rope - Starter (36")
45	216792	1	Handle - Starter
46	218941	1	Washer - Nylon This is a new part number, different from the one listed in the previous IPL for this unit.
47	217482	1	Spring - Starter This is a new part number, different from the one listed in the previous IPL for this unit.
48	213177	2	Screw - M4.2 x 18.5 (12-16 in. lb. torque)
49	215501	1	Bracket - Back
50	215504	1	Cushion - Fuel Tank
51	217021	1	Fuel Tank Assembly
52	222347-01	1	Cap - Fuel This is a new part number, different from the one listed in the previous IPL for this unit.
53	217264	1	Hose - Fuel
54	216985	1	Pickup - Fuel
55	215495	1	Grommet
56	217383	1	Decal - 40:1
57	215500	1	Cushion - Bracket
58	216025	2	Screw - M4 x 8 (25-30 in. lb. torque)
59	217455	1	Bracket - Tank/Shield

Ref #	Part Number	Qty	Description
60	216583	1	Nut - M8 Hex (149-160 in. lb. torque)
61	215525	1	Ratchet Assembly
62	213177	4	Screw - M4.2 x 18.5 (12-16 in. lb. torque)
63	217158	1	Screw - M5 x 35
64	217159	1	Nut - M5 Hex
65	216591	1	Washer - M5 Flat
66	219279	1	Plate Asy - Toggle Switch This is a new part number, different from the one listed in the previous IPL for this unit.
67	219917	1	Nut - 15/32
68	217381	1	Plate - Switch
69	217648	1	Switch - Toggle
70	217139	1	Housing - Fan
71	217151	1	Coupling
72		1	Flywheel Assemblies See "Flywheel & Ignition Assemblies" illustration and parts list.
73		1	Ignition Assemblies See "Flywheel & Ignition Assemblies" illustration and parts list.
74	62345	1	Plug - Spark DJ8J (Champion) This is a new part number, different from the one listed in the previous IPL for this unit. (105-130 in. lb. torque)
	92879	1	Plug - Spark RDJ8 (Champion) This is a new part number, different from the one listed in the previous IPL for this unit. (105-130 in. lb. torque)
75	213178	1	Screw - M5 x 8.5 (15-25 in. lb. torque)
76	215540	1	Cover - Cylinder
77	217320	2	Screw - M6 x 18 (70-80 in. lb. torque)
78	213179	4	Screw - M5 x 28.5 (35-40 in. lb. torque)
79	219081	1	Kit - Cylinder Gasket
80	215542	1	Gasket - Cylinder
81	222594	1	Kit - Cylinder/Piston This is a new part number, different from the one listed in the previous IPL for this unit.
82	219084	1	Kit - Cyl (Plated)/Gasket This is a new part number, different from the one listed in the previous IPL for this unit.
80	215542	1	Gasket
83	218264	1	Piston (Alum) This is a new part number, different from the one listed in the previous IPL for this unit.
84	217475	1	Ring - Piston
85	111026	2	Ring - Retaining This is a new part number, different from the one listed in the previous IPL for this unit.
86	218275	1	Pin - Wrist This is a new part number, different from the one listed in the previous IPL for this unit.
87	219083	1	Kit - Piston (Chrome) This is a new part number, different from the one listed in the previous IPL for this unit.
84	217475	1	Ring - Piston
85	216343	2	Ring - Retaining
86	215551	1	Pin - Wrist

Ref #	Part Number	Qty	Description
88	215541	1	Grommet
89	217373	1	Crankcase Assembly
	218185	1	Crankcase Assembly This is a new part number, different from the one listed in the previous IPL for this unit.
90	213191	4	Pin
91	215545	1	Gasket - C'Case
92	213196	2	Washer
93	213195	1	Bearing - Needle
	110984	2	Bearing - Needle This is a new part number, different from the one listed in the previous IPL for this unit.
94	102164	1	Key - Flywheel
95	216143	2	Bearing - Ball
	213282	2	Bearing - Roller This is a new part number, different from the one listed in the previous IPL for this unit.
96	216444	1	Crankshaft Assembly
	218106	1	Crankshaft Assembly This is a new part number, different from the one listed in the previous IPL for this unit.
97	83859	2	Seal - Oil
	216500	2	Seal - Oil



Ref #	Part Number	Qty	Description
1	219383	1	Wire - Switch
2	216022	6	Screw - M4 x 23.4 (13-16 in. lb. torque)
3	219386	1	Ignition (Black)
4	219848	1	Ignition (Cream)
5	95266	1	Boot - Spark Plug
6	102556	1	Connector
7	215533-01	1	Grommet
8	222430	1	Flywheel (Stamped "S")
9	222308	1	Flywheel (Stamped "FL")

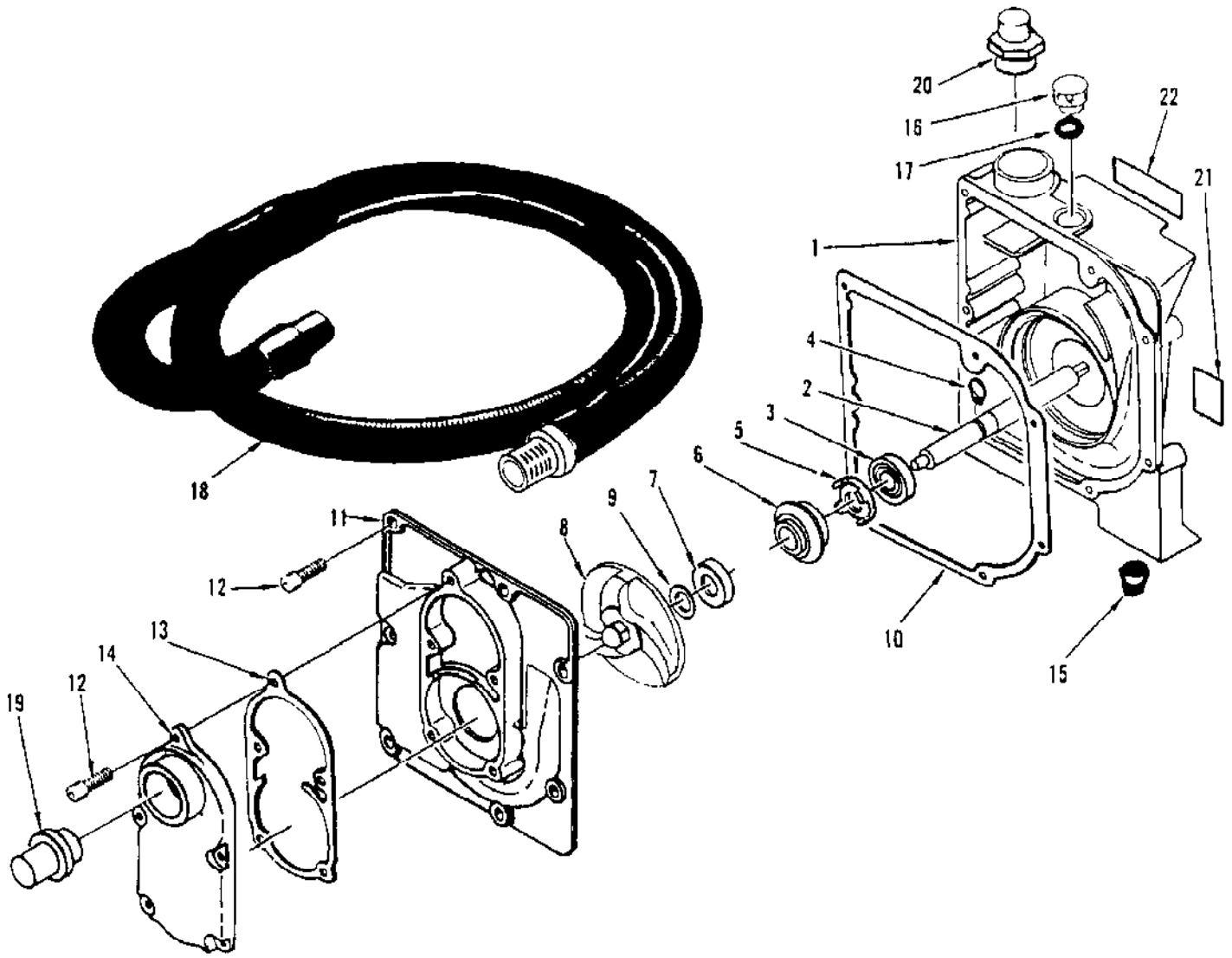


Ref #	Part Number	Qty	Description
	219958	1	Kit - Flywheel/Ignition
1	219383	1	Wire - Switch
2			UNKNOWN
9	222308	1	Flywheel Assembly ("FL")
4	219848	1	Ignition (Cream)
5	95266	1	Boot - Spark Plug
6	102556	1	Connector - Spark
7	215533-01	1	Grommet

No
Diagram
Available

Parts List
Only

Ref #	Part Number	Qty	Description
	215439		Tool - Piston Driving
	215443		Plate - Pressure Test
	215444		Gasket - Intake Plate
	215445		Gasket - Exhaust
	222785		Torx Drive T-25 (Cylinder)



Ref #	Part Number	Qty	Description
1	217560	1	Housing - Anodized
	217559	1	Housing - Non-Anodized This is a new part number, different from the one listed in the previous IPL for this unit. Factory stocked. Slow moving part.
2	217129	1	Shaft
	217128	1	Shaft This is a new part number, different from the one listed in the previous IPL for this unit. Factory stocked. Slow moving part.
3	213156	1	Bearing - Ball
4	213186	1	Ring - Retaining
5	217134	1	Spacer
6	217135	1	Seal
7	217137	1	Seal - Ring Assembly
8	217561	1	Impeller - Anodized
	217130	1	Impeller - Non-Anodized This is a new part number, different from the one listed in the previous IPL for this unit. Factory stocked. Slow moving part. Used on 11 and 12 lever - 02, 03 and 06 units only.
9	217138	2	Shim
10	217141	1	Gasket - Housing
11	217562	1	Centerpiece - Anodized
	217143	1	Centerpiece - Non-Anodized This is a new part number, different from the one listed in the previous IPL for this unit. Factory stocked. Slow moving part. Used on 11 and 12 lever - 02, 03 and 06 units only.
12	217523	12	Screw - M6 x 18.40
	217320	12	Screw - M6 x 18 Torx This is a new part number, different from the one listed in the previous IPL for this unit. Distributor stocked. Medium to slow moving part. Used on 11 and 12 lever - 02, 03 and 06 units only.
13	217146	1	Gasket - Inlet Cover
14	217563	1	Cover - Anodized
	217148	1	Cover - Non-Anodized This is a new part number, different from the one listed in the previous IPL for this unit. Factory stocked. Slow moving part.
15	89403	2	Bumper - Lower
16	217150	1	Plug - Pipe
17	217152	1	Ring - "O"
18	217874	1	Kit - Hose/Strainer
	217540	1	Hose
19	217144	1	Insert - Hose
20	217132	1	Adaptor
21	217985	1	Decal - Caution (AM)
22	217986	1	Decal - Caution (PP)