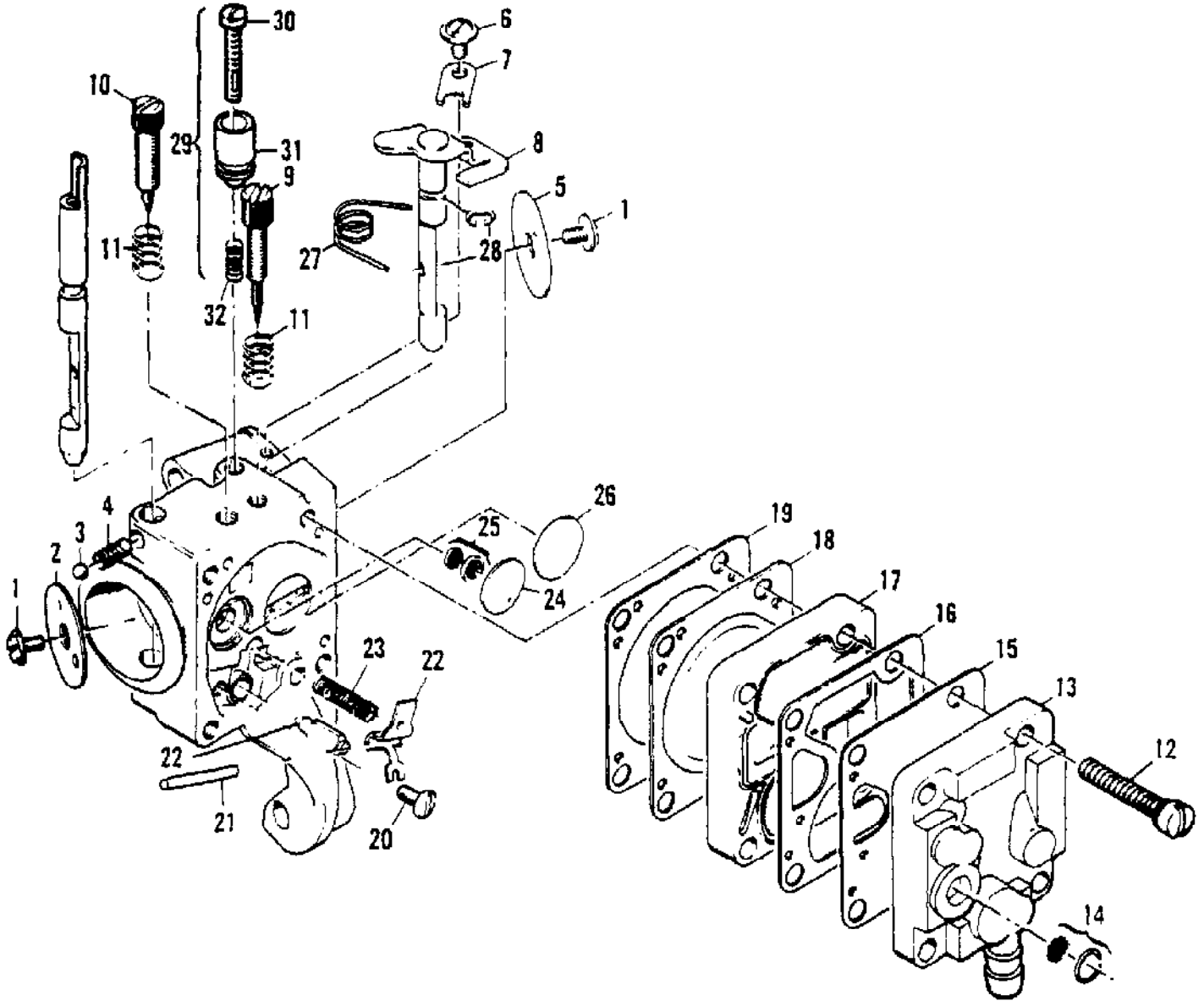


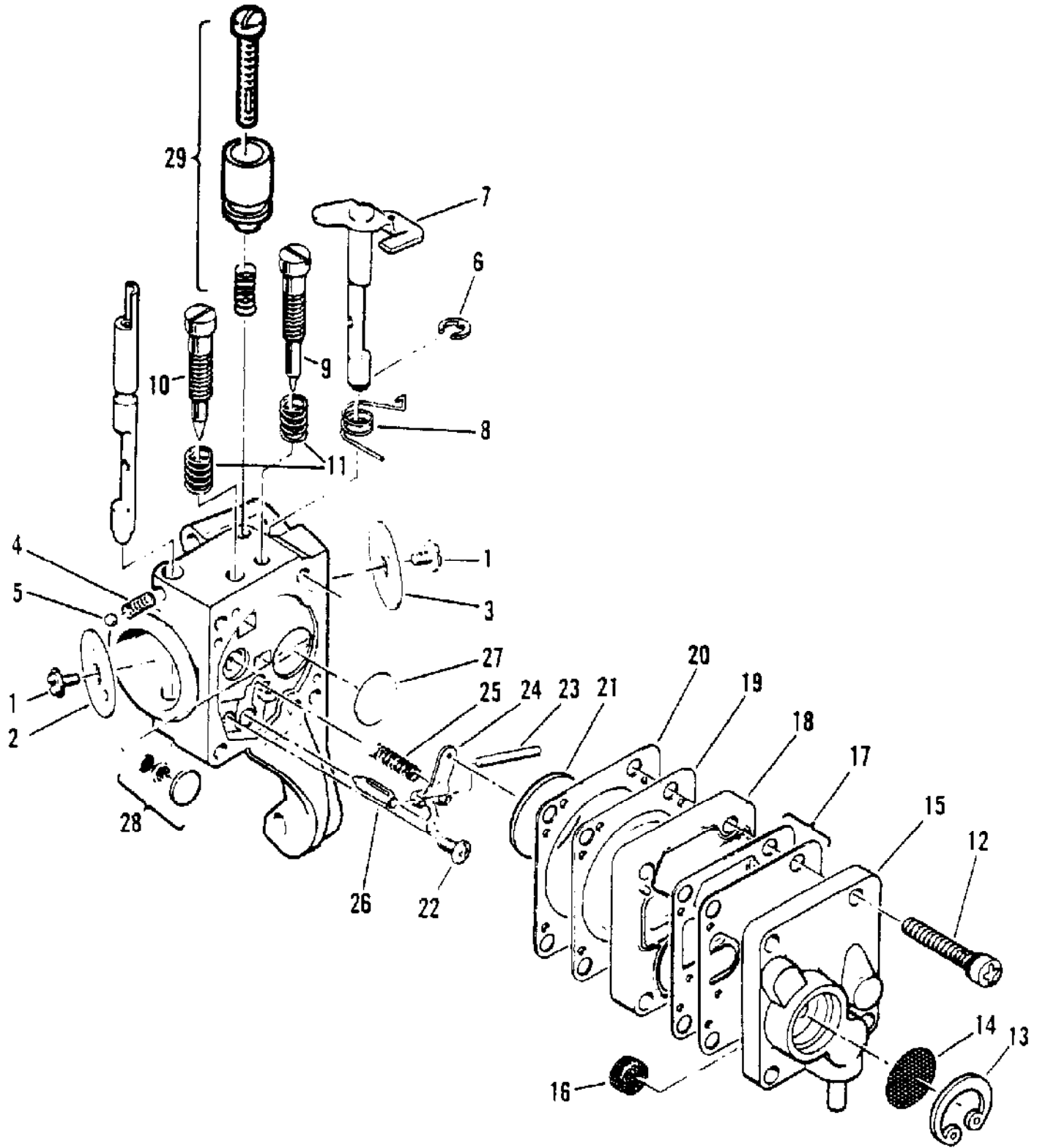
No
Diagram
Available

Parts List
Only

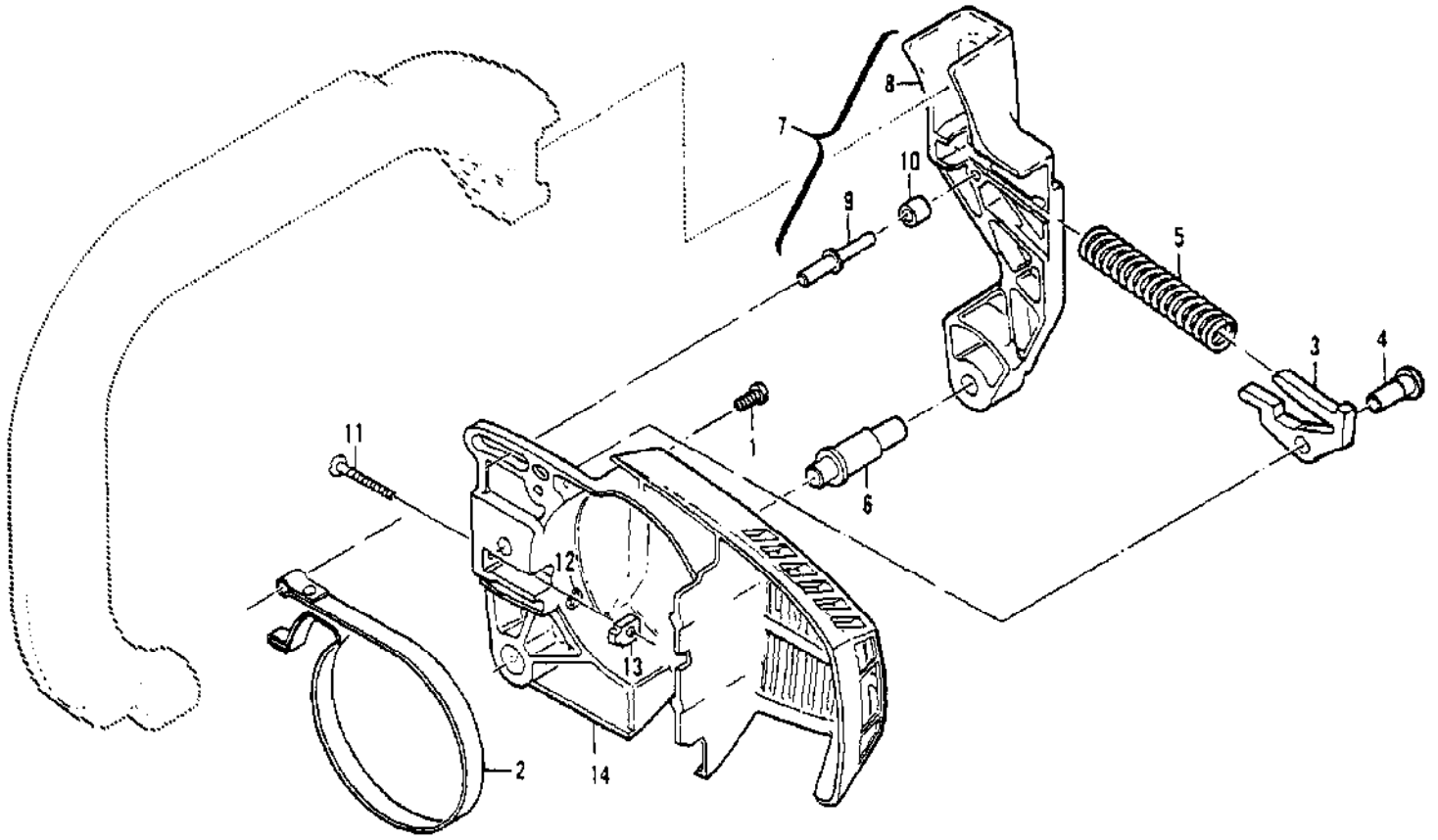
| Ref # | Part Number | Qty | Description |
|-------|-------------|-----|------------------------------------------|
| | 95169 | | Kit - Spark Arrester |
| | 91485 | | Wrench - Socket |
| | 85687 | | Wrench - Screwdriver |
| | 88755 | | Scrench |
| | 93283 | | Case - Carrying, 12" |
| | 92976 | | Bar Guard, 12" |
| | 93090 | | Guide - Timing |
| | 68915A | | Kit - Piston Tool |
| | 90256 | | Kit - Tune up |
| | 90607A | | Guide - File |
| | 90958A | | Kit - Tool Maintenance |
| | 93900 | | Kit - Pressure Test |
| | 90533 | | Tool - Pressure Test |
| | 501334 | | Tester - Ignition |
| | 68090 | | Lubri-Gun |
| | 85702 | | Lubricant - Custom, 6 oz. can |
| | 85703 | | Lubricant - Custom, 6 oz. cans, 1-6 pack |
| | 67537 | | Loctite |
| | 69794 | | Locquic |
| | 110083 | | R.T.V. Sealant |



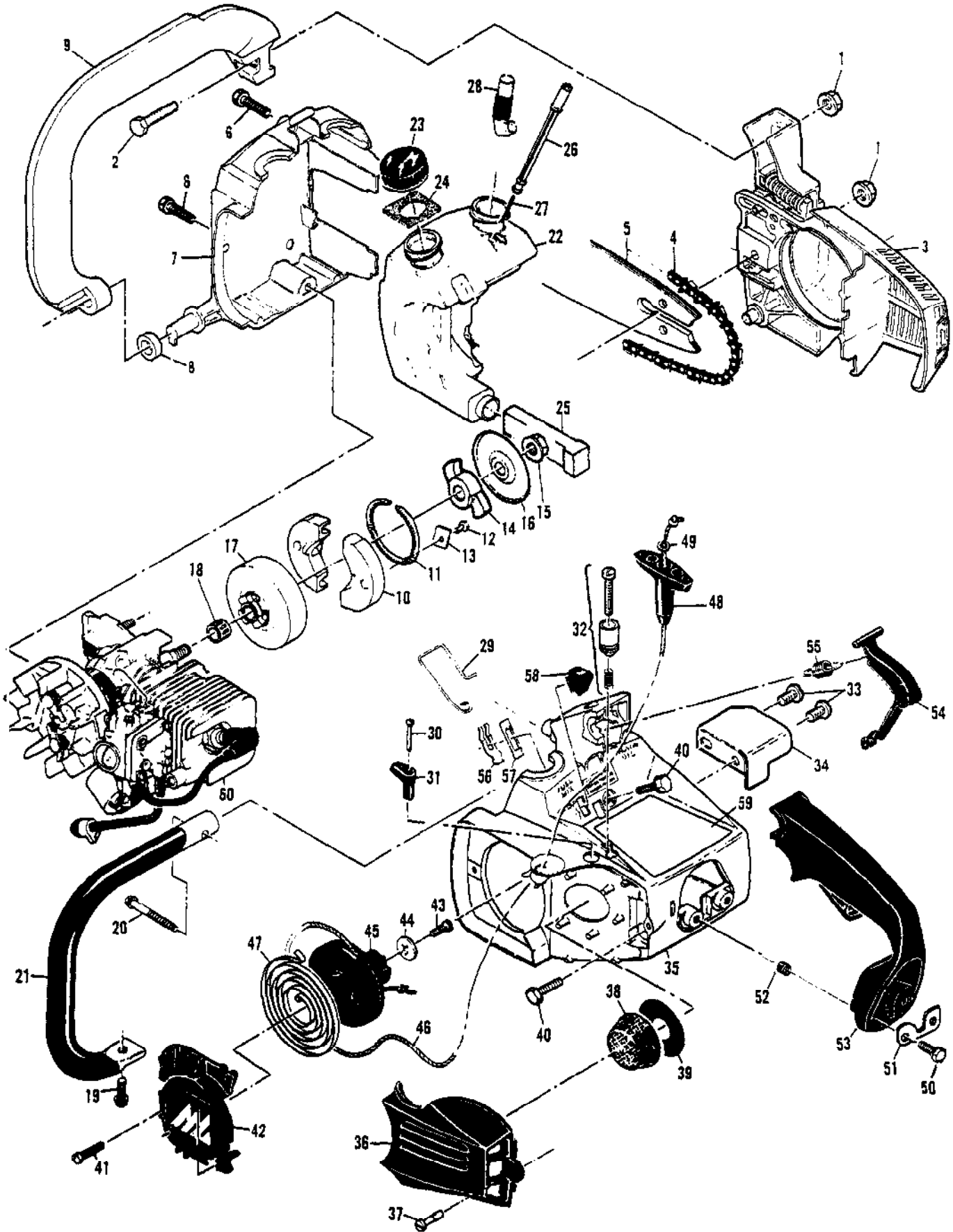
| Ref # | Part Number | Qty | Description |
|-------|-------------|-----|------------------------------------------------|
| | 214082 | 1 | Carburetor Asy - Walbro MDC 15 |
| 1 | 83755 | 2 | Screw - Plate |
| 2 | 68556 | 1 | Plate - Choke |
| 3 | 100302 | 1 | Ball - Choke friction |
| 4 | 67504 | 1 | Spring - Choke friction |
| 5 | 68553 | 1 | Plate - Throttle |
| 6 | 70798 | 1 | Screw - Clip |
| 7 | 68554 | 1 | Clip - Throttle shaft |
| 8 | 94138 | 1 | Shaft Asy - Throttle |
| 9 | 86446 | 1 | Needle - Idle |
| 10 | 86447 | 1 | Needle - High speed |
| 11 | 67502 | 2 | Spring - Needle |
| 12 | 68564 | 4 | Screw Asy - Body |
| 13 | 91347 | 1 | Cover Asy - Pump |
| 14 | 85629 | 1 | Kit - Vent screen |
| 15 | 68563 | 1 | Diaphragm - Fuel pump |
| 16 | 85035 | 1 | Gasket - Pump diaphragm |
| 17 | 85030 | 1 | Body - Fuel pump |
| 18 | 85036 | 1 | Diaphragm - Metering |
| 19 | 85034 | 1 | Gasket - Diaphragm |
| 20 | 67500 | 1 | Screw - Lever pin |
| 21 | 67508 | 1 | Pin - Lever |
| 22 | 85059 | 1 | Kit - Needle & Lever |
| 23 | 68567 | 1 | Spring - Lever |
| 24 | 68559 | 1 | Plug - Welsh 7/16 |
| 25 | 83758 | 1 | Kit - Check valve |
| 26 | 68560 | 1 | Plug - Welsh 1/2 |
| 27 | 89785 | 1 | Spring - Throttle return |
| 28 | 94139 | 1 | Ring - Retaining |
| 29 | 93437 | 1 | Latch Asy - Throttle |
| 30 | | 1 | Screw - Long lock Not available separately. |
| 31 | | 1 | Latch - Throttle Not available separately. |
| 32 | | 1 | Spring - Compression Not available separately. |
| | 86463 | 1 | Repair Kit |



| Ref # | Part Number | Qty | Description |
|-------|-------------|-----|------------------------------------------------|
| | 214082A | 1 | Carburetor Asy - Zama M1-M7 |
| 1 | 91804 | 2 | Screw - Plate |
| 2 | 215274 | 1 | Valve - Choke |
| 3 | 91803 | 1 | Valve - Throttle |
| 4 | 93955 | 1 | Spring - Choke |
| 5 | 93956 | 1 | Ball - Friction |
| 6 | 91805 | 1 | "E" Ring |
| 7 | 215291 | 1 | Shaft Assembly - Throttle |
| 8 | 215286 | 1 | Spring - Throttle return |
| 9 | 215275 | 1 | Screw - Idle adjustment |
| 10 | 215276 | 1 | Screw - Main adjustment |
| 11 | 91819 | 2 | Spring - Screw |
| 12 | 215279 | 4 | Screw - Cover |
| 13 | 215283 | 1 | "C" Ring |
| 14 | 215284 | 1 | Strainer |
| 15 | 215285 | 1 | Cover - Pump |
| 16 | 91820 | 1 | Screen |
| 17 | | 1 | Kit - Pump diaphragm Not available separately. |
| 18 | 215281 | 1 | Body - Pump |
| 19 | 215282 | 1 | Diaphragm - Main |
| 20 | 215280 | 1 | Gasket - Main |
| 21 | 215277 | 1 | Disk |
| 22 | 91814 | 1 | Screw |
| 23 | 91813 | 1 | Pin - Arm |
| 24 | 215278 | 1 | Arm - Needle valve |
| 25 | 91811 | 1 | Spring - Arm |
| 26 | 91810 | 1 | Valve - Needle |
| 27 | 93951 | 1 | Plug - Welsh |
| 28 | 215287 | 1 | Valve Asy - Main nozzle |
| 29 | 93437 | 1 | Latch Assembly - Throttle |
| | 215292 | | Repair Kit |

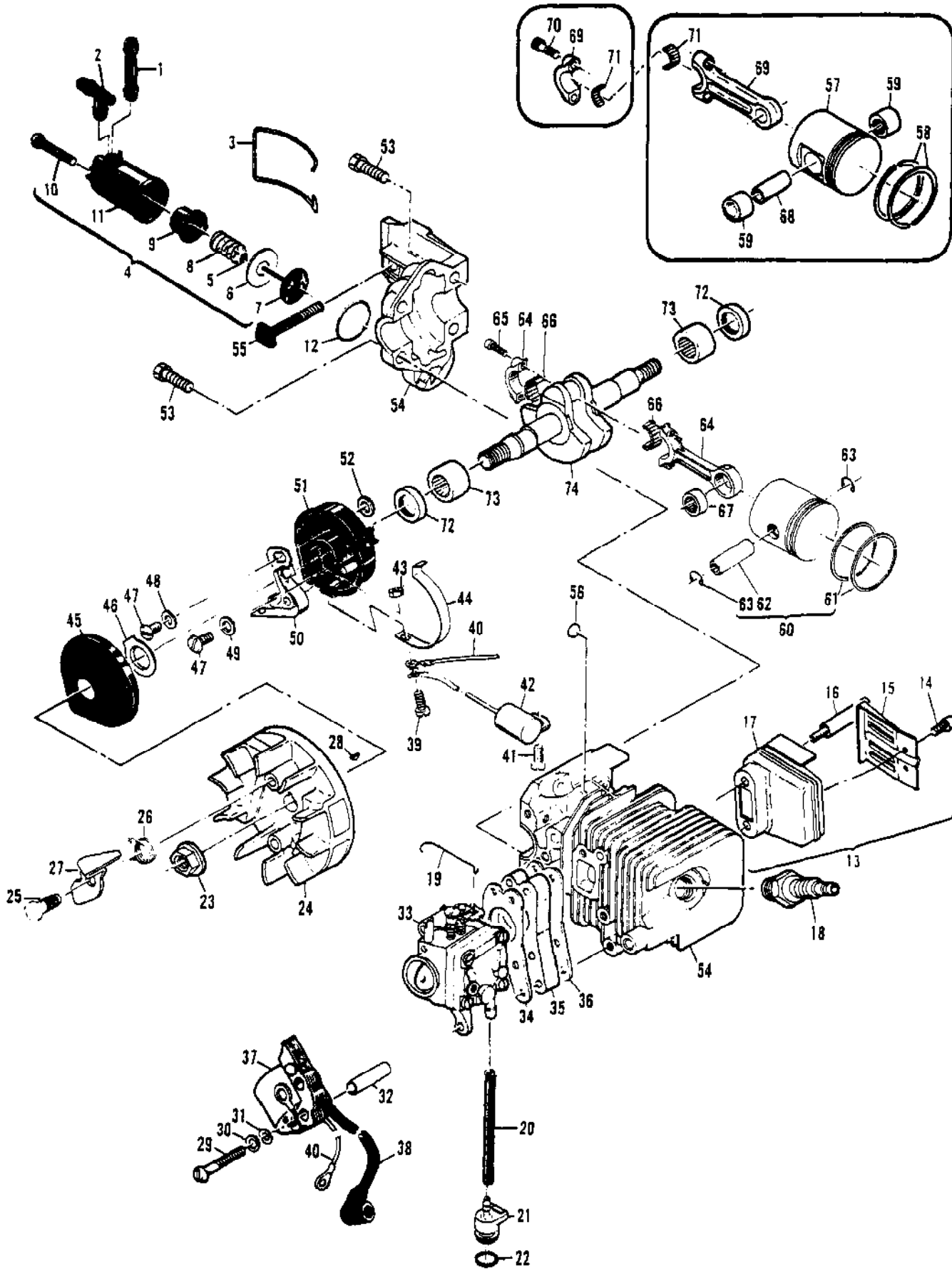


| Ref # | Part Number | Qty | Description |
|-------|-------------|-----|----------------------------|
| | 214376 | | CHAIN BRAKE Assembly |
| 1 | 111047 | 1 | Screw - Pan hd 8-32 x 5/8 |
| 2 | 94709 | 1 | Band - Brake |
| 2 | 92487 | 1 | Band - Brake |
| 3 | 94006 | 1 | Latch |
| 3 | 93092 | 1 | Latch |
| 4 | 93602 | 1 | Pivot - Latch |
| 5 | 94007 | 1 | Spring - Compression |
| 5 | 93140 | 1 | Spring - Compression |
| 6 | 92482 | 1 | Pivot - Lever |
| 7 | 214375 | 1 | Lever Assembly - Actuating |
| 8 | 92867 | 1 | Lever |
| 9 | 213907 | 1 | Pin - Roller |
| 10 | 214368 | 1 | Bearing - Roller |
| 11 | 90658 | 1 | Screw - Adjusting |
| 12 | 110907 | 1 | Ring - Retaining |
| 13 | 84929 | 1 | Nut - Bar adjusting |
| 14 | 94175 | 1 | Housing - Brake |
| 14 | 92866 | 1 | Housing - Brake |



| Ref # | Part Number | Qty | Description |
|-------|-------------|-----|-----------------------------------------------------------------------------------------------------------------|
| 1 | 110676 | 2 | Nut - Hx 1/4-28 |
| 2 | 110972 | 1 | Screw - Hx 1/4-28 x 3/4 |
| 3 | | | CHAIN BRAKE Asy See "Chain Brake Assembly" illustration and parts list. |
| 4 | | | Chain Asy |
| 5 | | | Bar |
| 6 | 110639 | 2 | Screw - Hx hd 12-24 x 1 |
| 7 | 92868A | 1 | Cover - Fuel & Oil tank |
| 8 | 93194A | 1 | Washer - Rubber |
| 9 | 92479 | 1 | Lever - Handguard |
| 10 | 213278 | 1 | Kit - Clutch |
| 10 | 213277 | 1 | Clutch Assembly |
| 11 | 93608 | 1 | Spring Assembly |
| 12 | 110957 | 2 | Rivet |
| 13 | 85064 | 2 | Plate |
| 14 | 94242 | 1 | Rotor |
| 14 | 94247 | 1 | Kit - Rotor |
| 15 | 94244 | 1 | Nut - Clutch |
| 16 | 94243 | 1 | Plate - Dust |
| 17 | 95197 | 1 | Drum/Spkt/Brng Assembly |
| 18 | 91222 | 1 | Kit - Needle bearing |
| 19 | 110953 | 1 | Screw - Hx hd 12-24 x 5/8 |
| 20 | 110686 | 1 | Screw - Hx hd 13-16 x 2 |
| 21 | 214505 | 1 | Frame & Grip Assembly |
| 22 | 91454A | 1 | Kit - Fuel & oil tank |
| 23 | 91283 | 2 | Cap -Fuel & oil (unvented) |
| 24 | 91148 | 1 | Seal - Fuel vent |
| 25 | 84956 | 1 | Pickup - Fuel |
| 26 | 83900A | 1 | Piston - Manual oiler |
| 27 | 83946 | 1 | Spring - Piston |
| 28 | 85557 | 1 | Body - Oiler |
| 29 | 84611 | 1 | Rod - Manual oiler |
| 30 | 110672 | 1 | Screw - Oval hd 4-40 x 1 |
| 31 | 83870 | 1 | Knob - Choke |
| 32 | | | Throttle Latch Asy See "Carburetor Assembly (Zama M1-M7)" & "Powerhead Assembly" illustrations and parts lists. |
| 33 | 110807 | 2 | Screw Pan hd 8-32 x 5/16 |
| 34 | 93290 | 1 | Deflector - Sawdust |
| 35 | 214270 | 1 | Shroud |
| 36 | 91853 | 1 | Cover - Air cleaner |
| 37 | 91796 | 1 | Screw - Air cleaner |
| 38 | 91460 | 1 | Filter - Air |
| 39 | 84918 | 1 | Washer - Air seal |
| 40 | 110953 | 3 | Screw - Hx hd 12-24 x 5/8 |
| 41 | 110959 | 3 | Screw - Hx hd 8-32 x 1/2 |
| 42 | 90425 | 1 | Cover - Starter |
| 43 | 110041 | 1 | Screw - Pan hd 8-32 x 1/2 |
| 44 | 68497 | 1 | Washer - Special |
| 45 | 213261 | 1 | Drum/Rope Assembly |
| 46 | 83203 | 1 | Rope - Starter |
| 47 | 83078 | 1 | Spring - Rewind |
| 48 | 91255 | 1 | Kit - Starter handle |
| 49 | 105490 | 1 | Washer - Starter handle |

| Ref # | Part Number | Qty | Description |
|-------|-------------|-----|-----------------------------------------------------------------------------|
| 50 | 110953 | 2 | Screw - Hx hd 12-24 x 5/8 |
| 51 | 84520A | 1 | Plate - Washer |
| 52 | 84519 | 2 | Sleeve - Handle |
| 53 | 93810 | 1 | Kit - Handle |
| 54 | 93869 | 1 | Trigger - Throttle |
| 55 | 83940 | 1 | Spring - Trigger |
| 56 | 83935 | 1 | Contact - Switch |
| 57 | 83936 | 1 | Protector - Switch |
| 58 | 83934 | 1 | Button - Switch |
| 59 | 93542 | 1 | Plate - Name |
| 60 | | | Powerhead Assembly See "Powerhead Assembly" illustration and parts list. |



| Ref # | Part Number | Qty | Description |
|-------|-------------|-----|----------------------------------------------------------------------------------------------------------------------------------|
| 1 | 83898 | 1 | Connector - Outlet |
| 2 | 84613 | 1 | Connector - Pump |
| 3 | 83896 | 1 | Bail - Mounting |
| 4 | 83886 | 1 | Pump Assembly - Oiler |
| 5 | 105603 | 1 | "O" Ring |
| 6 | 85769 | 1 | Ring - Pump piston |
| 7 | 92204 | 1 | Piston Assembly - Pump |
| 8 | 83891 | 1 | Spring - Pump |
| 9 | 83890 | 1 | Sleeve - Pump |
| 10 | 110651 | 1 | Screw - Adjustment |
| 11 | 83887 | 1 | Body Assembly - Pump |
| 12 | 110653 | 1 | "O" Ring |
| 13 | 214746 | 1 | Kit - Muffler |
| 14 | 110681 | 2 | Screw - Skt hd 10-24 x 1/4 |
| 15 | 92961 | 1 | Deflector - Exhaust |
| 16 | 213327 | 2 | Screw - Special |
| 17 | 213346 | 1 | Body - Cover |
| 13 | 92962 | 1 | Kit - Muffler |
| 14 | 110681 | 2 | Screw - Skt hd 10-24 x 1/4 |
| 15 | 92961 | 1 | Deflector - Exhaust |
| 16 | 93036 | 2 | Screw - Special |
| 17 | 93655 | 1 | Body - Cover |
| 18 | 63097 | 1 | Spark Plug (F,G,J,K,P,S,U) |
| 18 | 93018 | 1 | Spark Plug (S,E,H) |
| 19 | 89274 | 1 | Rod - Throttle |
| 20 | 89159 | 1 | Hose - Fuel |
| 21 | 90660 | 1 | Adaptor - Fuel hose |
| 22 | 110908 | 1 | "O" Ring |
| 23 | 110970 | 1 | Nut - Hx 5/16-24 |
| 24 | 94513 | 1 | Flywheel/Pawl Assembly |
| 25 | 68796 | 2 | Pin - Pawl |
| 26 | 67814 | 2 | Spring - Pawl |
| 27 | 94493 | 2 | Pawl - Starter |
| 24 | 91961 | 1 | Flywheel/Pawl Assembly |
| 25 | 68796 | 2 | Pin - Pawl |
| 26 | 67814 | 2 | Spring - Pawl |
| 27 | 91872 | 2 | Pawl - Starter |
| 28 | 102164 | 1 | Key - Woodruff |
| 29 | 110586 | 3 | Screw - Pan hd 8-32 x 1-3/4 |
| 30 | 105976 | 3 | Washer - #8 |
| 31 | 67177 | 3 | Washer - Insulating |
| 32 | 68198 | 3 | Tube - Insulating |
| 33 | | | Carburetor Assembly See "Carburetor Assembly (Walbro MDC 15)" & "Carburetor Assembly (Zama M1-M7)" illustrations and parts list. |
| 34 | 68197 | 1 | Gasket - Carburetor |
| 35 | 90713 | 1 | Insulator - Carburetor |
| 36 | 90714 | 1 | Gasket - Insulator |
| 37 | 84957 | 1 | Coil & Lamination Assembly |
| 38 | 50120 | 1 | Wire Assembly - Spark plug |
| 39 | 110617 | 1 | Screw - Pan hd 6-32 x 5/8 |
| 40 | 69344 | 1 | Wire Assembly - Coil |
| 41 | 110041 | 1 | Screw - Pan hd 8-32 x 1/2 s/t |
| 42 | 85358 | 1 | Condenser |
| 43 | 100035 | 1 | Nut - Hx 6-32 |

| Ref # | Part Number | Qty | Description |
|-------|-------------|-----|-----------------------------|
| 44 | 84502 | 1 | Connector - Stop switch |
| 45 | 67841 | 1 | Cover - Breaker box |
| 46 | 69323 | 1 | Seal - Breaker box |
| 47 | 110969 | 2 | Screw - Hx hd 8-32 x 1/2 |
| 48 | 69322 | 1 | Washer - Special |
| 49 | 105976 | 1 | Washer - 48 |
| 50 | 88811 | 1 | Breaker Assembly |
| 51 | 84505A | 1 | Kit - Breaker box |
| 52 | 92037 | 1 | Washer |
| 53 | 110639 | 4 | Screw - Hx hd 12-24 x 1 |
| 54 | 214157 | 1 | Kit - Cyl/C'case Assembly |
| 55 | 83856 | 1 | Bolt - Bar mounting |
| 56 | 110914 | 4 | Plug - Cup |
| 54 | 214164 | 1 | Cyl/C'case Assembly |
| 55 | 83856 | 1 | Bolt - Bar mounting |
| 56 | 110914 | 4 | Plug - Cup |
| 57 | 68098 | 1 | Piston Assembly |
| 58 | 87165 | 1 | Set - Piston rings |
| 59 | 110538 | 2 | Bearing - Needle |
| 60 | 94662 | 1 | Piston Assembly |
| 61 | 95143 | 1 | Set - Piston rings |
| 62 | 92836 | 1 | Pin - Piston |
| 63 | 111026 | 2 | Ring - Snap |
| 64 | 94135 | 1 | Connecting Rod Assembly |
| 65 | 94654 | 2 | Screw - Connecting rod |
| 66 | 68095 | 1 | Roller - Needle (Set of 20) |
| 67 | 110984 | 1 | Bearing - Needle |
| 68 | 66867 | 1 | Pin - Piston |
| 69 | 68097 | 1 | Connecting Rod Assembly |
| 70 | 66853 | 2 | Screw - Special |
| 71 | 68095 | 1 | Roller - Needle (Set of 20) |
| 72 | 83859 | 2 | Seal - Oil |
| 73 | 213282 | 2 | Bearing - Crankshaft |
| 74 | 91932 | 1 | Crankshaft |