





SERVICE 		1
		X 93.135-26

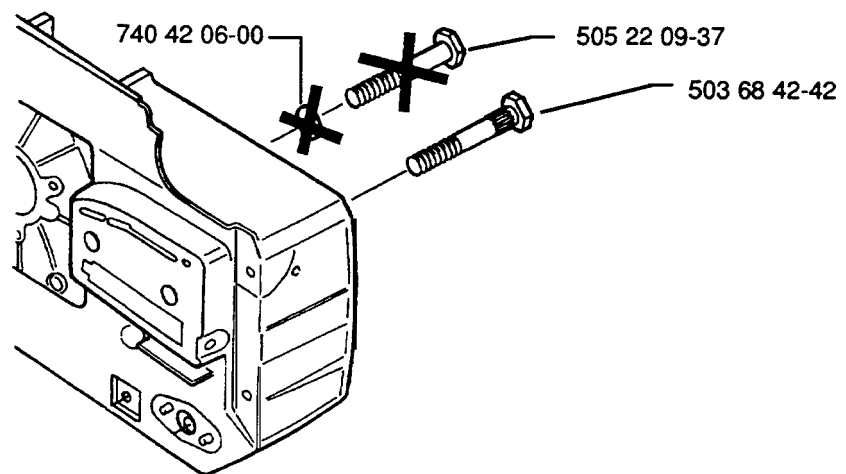
Models 254,257,262

Bar bolt

A modified bar bolt is introduced on the above mentioned models at the same time as the crankcase is changed. The O-ring and the knurling on the bar bolt are excluded.

New ref. no.	Description	Excluded ref. no.	Remark
503 68 42-42	Bar bolt	...	
	Bar bolt	505 22 09-37	R
	O-ring	740 42 06-00	
501 86 00-04	Crankcase	501 86 00-02	

R = remains as spare parts to other models.



The previous bar bolt, ref. no. 505 22 09-37, can be used in the earlier as well as the later design of crankcase.

Bar bolt, ref. no. 503 68 42-42, can only be used in crankcases of later design.

When the crankcase changes its number to version 04, also a changed oil tank ventilation is introduced. See service bulletin X 93.150.

Introduced from serial number:	3160641	254
	3170001	262