

MODEL PS 50

CHAIN LUBRICATION

In order to simplify the change of bar and chain, the position for the O-ring in the bar attachment is shaped oval.

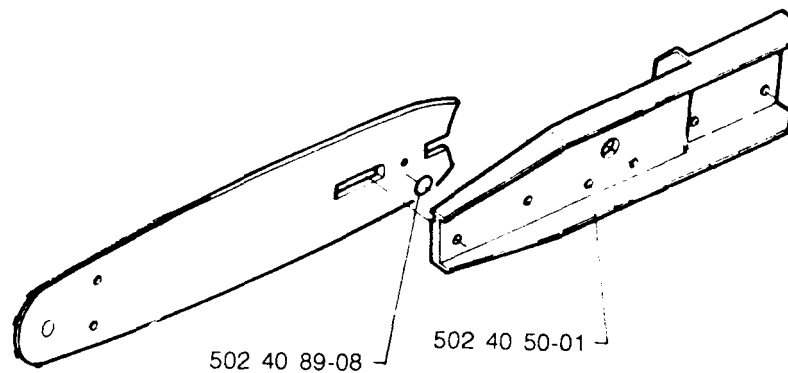
The O-ring will therefore better remain in its correct position.

The change also means anew O-ring. Ref. no. 502 40 50-01 bar attachment remains unchanged.

The change is introduced from serial 1010001.

New Ref. No.	Description	Excluded Ref. No.	Remark
502 40 89-08	O-ring	502 40 89-05	*)

*) Remains as a spare part for units manufactured before serial number 1010001.



AV-ELEMENT

AV-element in a material with better resistance against hydraulic oil is introduced.

The change is introduced from serial number 1010001.

New Ref. No.	Description	Excluded Ref. No.
502 42 31-01	AV-element	501 60 70-01