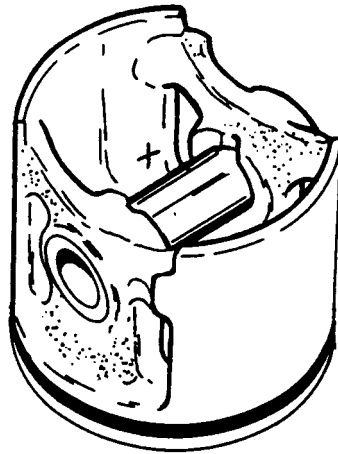


TECHNICAL UPDATING OF THE MODELS 281,288

1. Model 288

The piston is reinforced. Marking +

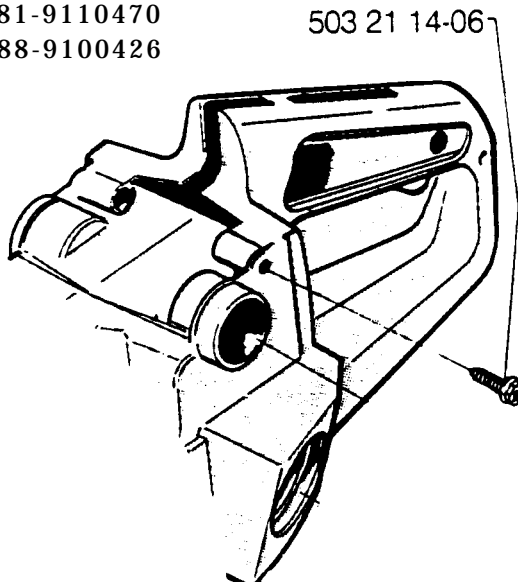
From serial number starting with 852. The model 281 received the corresponding reinforcement from 748.



2. Locking of shaft to the throttle lever with screw Ref. no. 503 21 14-06.

From serial number: 281-9110470
288-9100426

503 21 14-06

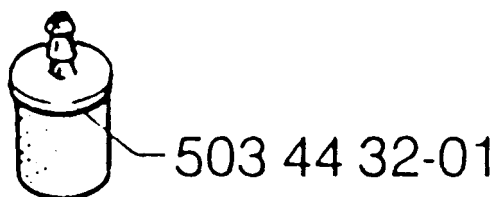


Please turn over!

3. Fuel filter with improved cleaning (40 micron)

Ref. no. 503 44 32-01 is unchanged. Inlet plug in natural-coloured material.

From serial number: 281-9150145
288-9150201



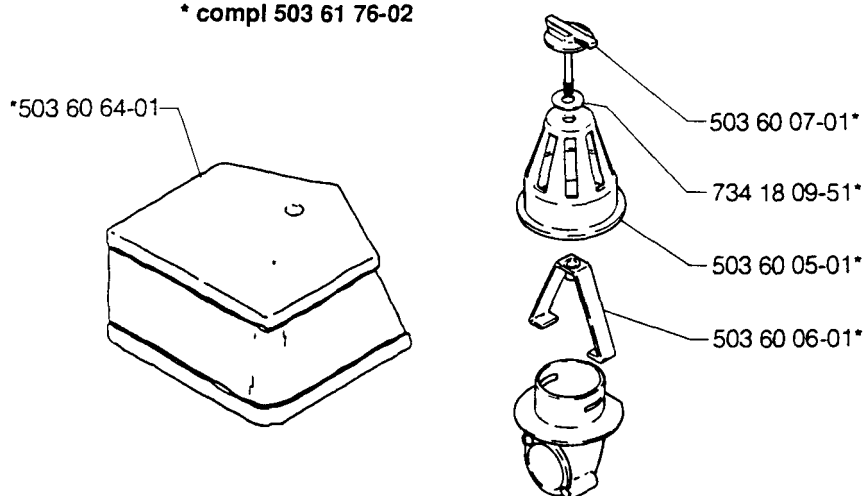
4. Model 281 version 16,288 version 06

The so called K & N-air filter is replaced by an oiled foam filter. See separate service bulletin.

New Ref. No.	Description	Excluded Ref. No.
503 61 76-02	Air filter compl.	503 59 18-01

From serial number: Version 16 281-9230001
Version 06 288-9220039

* compl 503 61 76-02

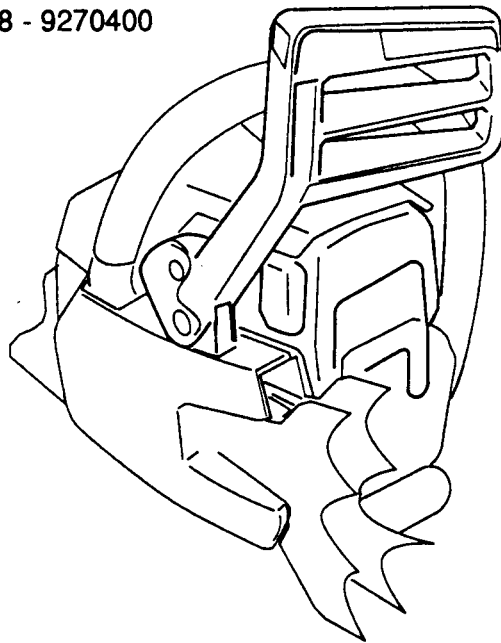


5. Inertia activated chain brake. New silencer.

New Ref. No.	Description	Excluded Ref. No.
503 57 94-02	Chain brake	{ 501 80 80-08 501 80 80-09
503 59 15-01	Silencer SA	
		503 07 80-01

See separate service bulletins.

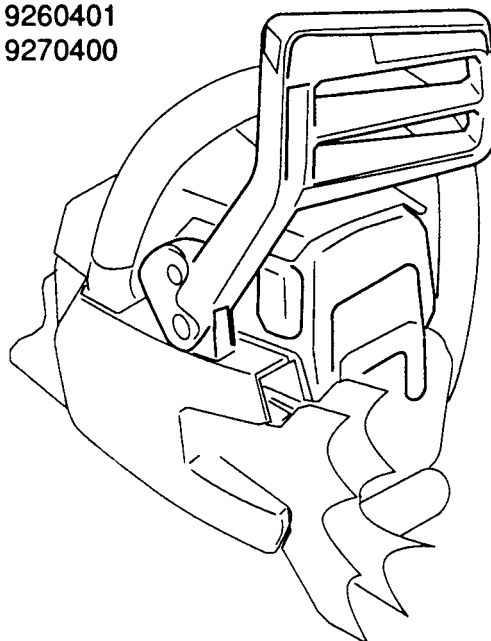
From serial number: 281-9260401
288 - 9270400



6. Handles and controls receive grey colour instead of black when changing the chain brake.

See separate service bulletin.

From serial number: 281 - 9260401
288 - 9270400

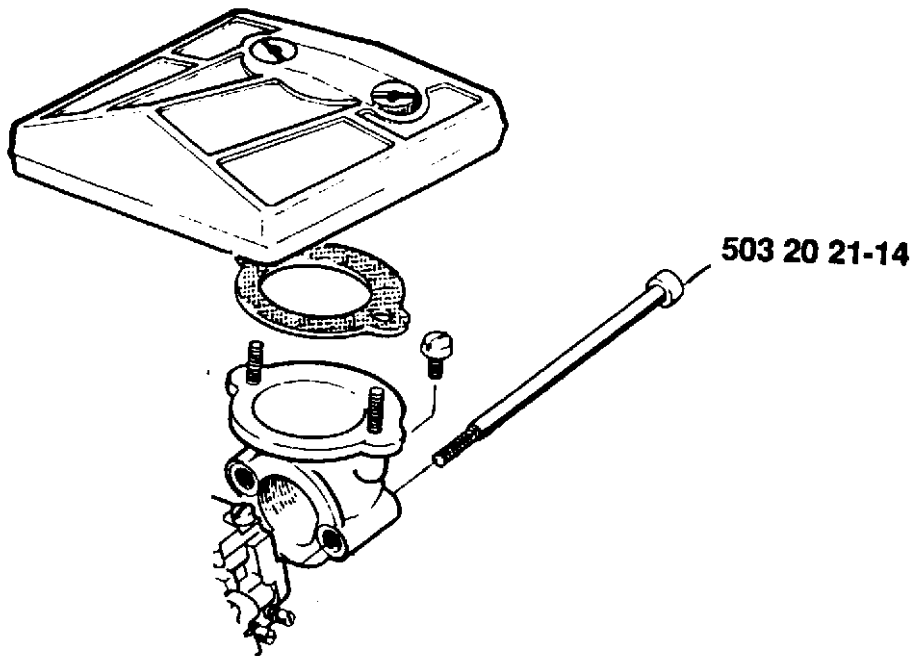


Please turn over!

7. Screw for attachment of carburettor changes the length. from 92 mm to 90,5 mm.

New Ref. No.	Description	Excluded Ref. No.
503 20 21-14	Screw	503 20 21-13

From serial number: 281 - 9310029
288 - 9310261

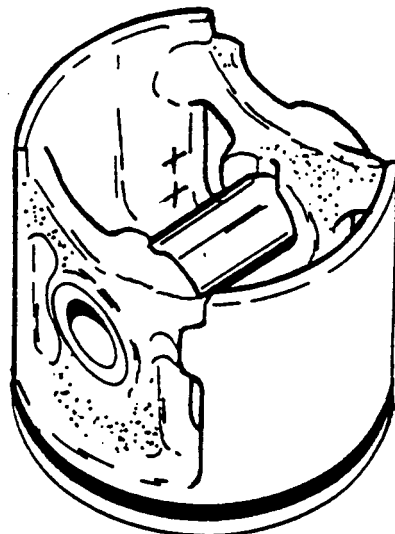


8. Model 288

The piston ring pin is changed from 8 mm to 10 mm. Length marking ++.

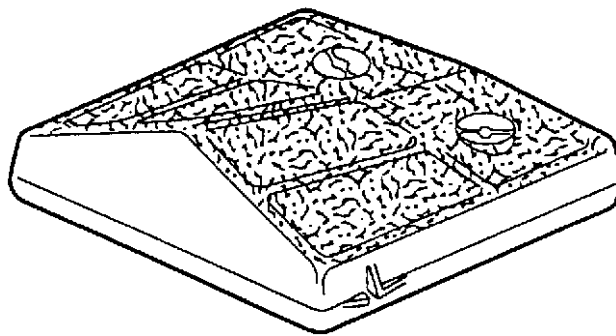
Ref. No. 503 50 60-02 is unchanged.

From serial number: 288-9350013.



9. Air filter in felt material (non woven) are introduced on some versions.

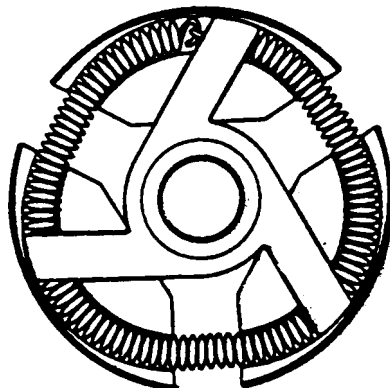
New Ref. No.	Description	Excluded Ref. No.
501 80 71-05	Air filter	{ 501 80 71-01 501 80 71-02
From serial number:	Version 12, 14, 51	281-9390237
	Version 02,04,51	288-9400559



10. Change of material in the clutch spring. Colour change from pink to yellow colour marking.

Ref. No. 503 56 04-01 is unchanged.

From serial number: 281-9430089
 288-9420395

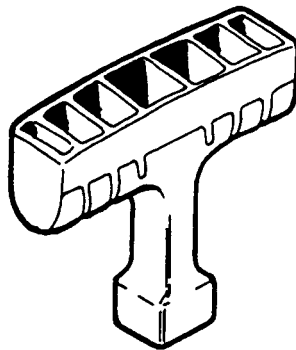


Please turn over!

11. New starter handle, more easy to grip.

New Ref. No.	Description	Excluded Ref. No.
503 54 39-01	Starter handle	501 55 14-02

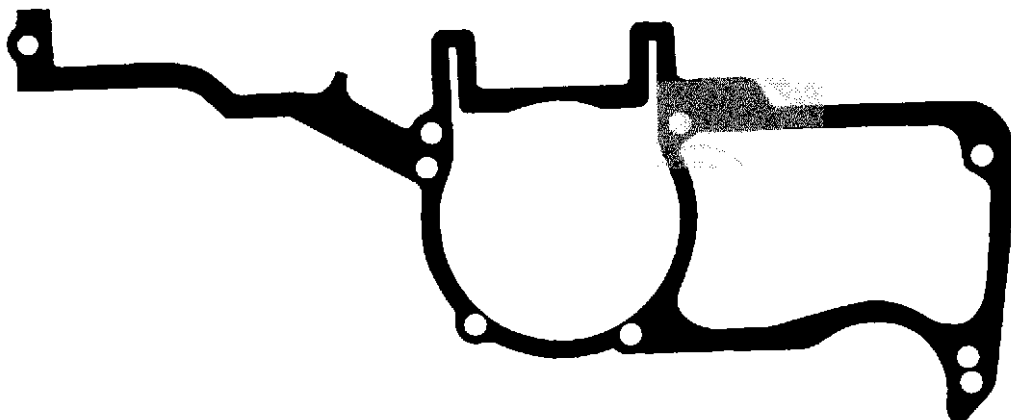
From serial number: 281-9430001
288-9450001



12. Crankcase gasket is changed for more secure mounting.

Ref. No. 501 80 06-02 is unchanged.

From serial number: 281-9430001
288-9450001

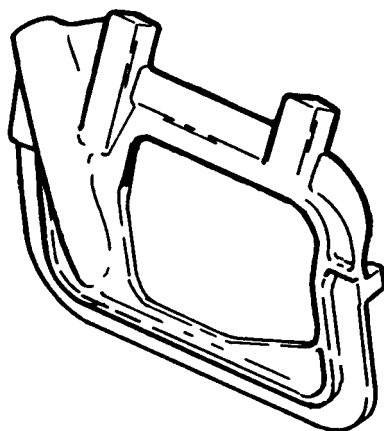


13. The sealing ring of the manifold of a more heat-resistant material.

Ref. No. 501 81 18-01 is unchanged.

Identification: Grey colour

From serial number: 281-9430089
288-9420278

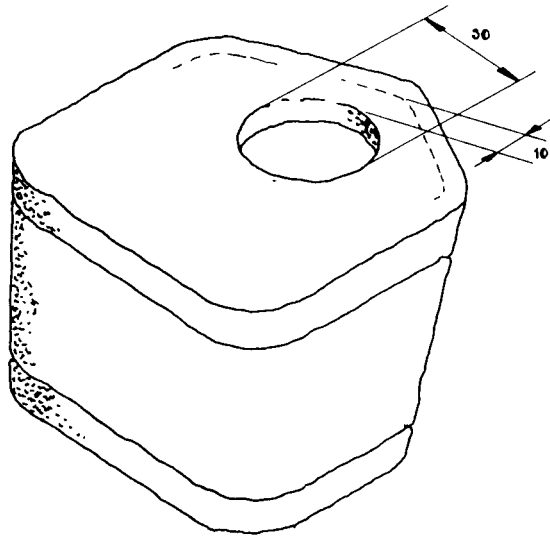


Please turn over!

14. Model 281 variant 16, 288 variant 06

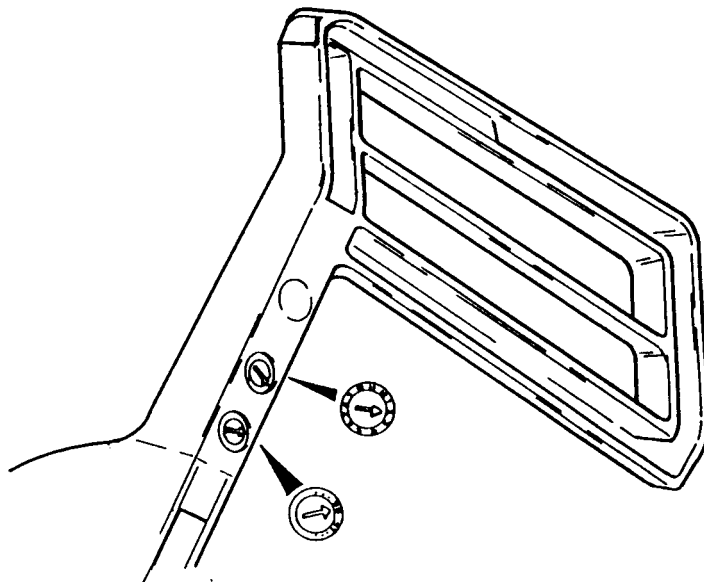
Foam rubber filter Ref. No. 503 60 64-01 will be modified for better sealing to the filter connection. Hole \varnothing 33 mm will be \varnothing 30 mm. There will be a clearance measure of 10 mm.

From the turn of the year 89-90.



15. The front hand guard of the chain brake has been reinforced and the material changed. Marking 90-02.

From March 1990.



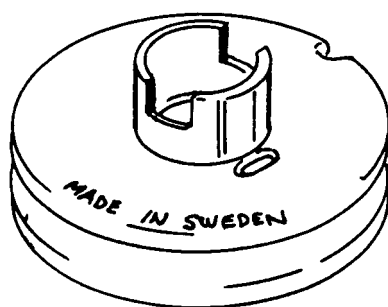
16. New stronger material in the pulley.

New Ref. No.
503 10 24-04

Description
Pulley

Excluded Ref. No.
503 10 24-01

From serial number: 281-0170361
288-0170205



Please turn over!

17. Carburettor without speed reducer HS 288 B

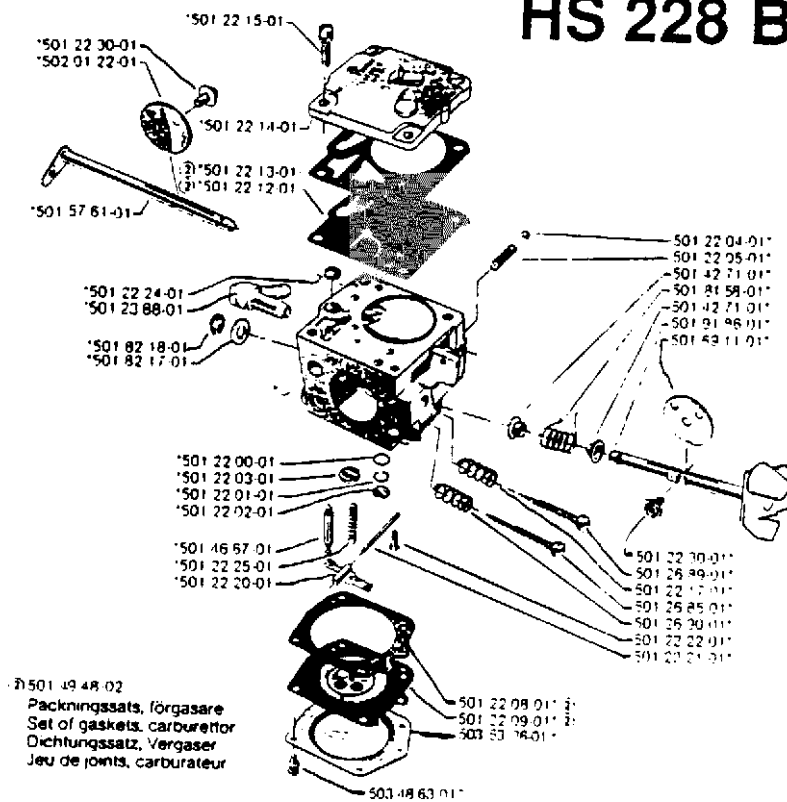
New Ref. No.	Description	Excluded Ref. No.
503 28 01-18	Carburettor cpl	501 91 18-02
	Speed reducer	504 86 00-05
	Washer	501 81 90-01
	Sealing	501 48 50-01

From serial number: 281-0170578
288-0170406

Please note! Recommended max speed unloaded 12500 rpm.

*compl 503 28 01-18

HS 228 B

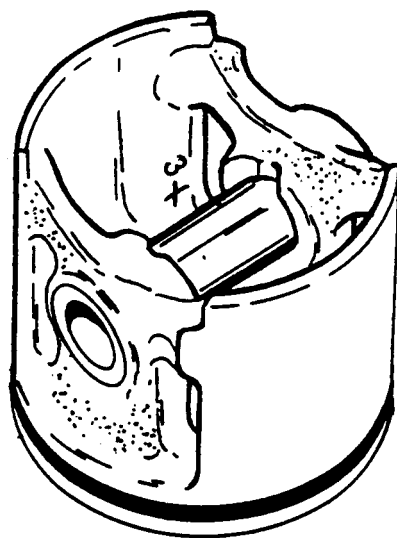


18. Model 288

The piston is reinforced. Marking 3 +.

Ref. No. Piston 503 50 60-02 is unchanged.

From serial number: 288-0180466.

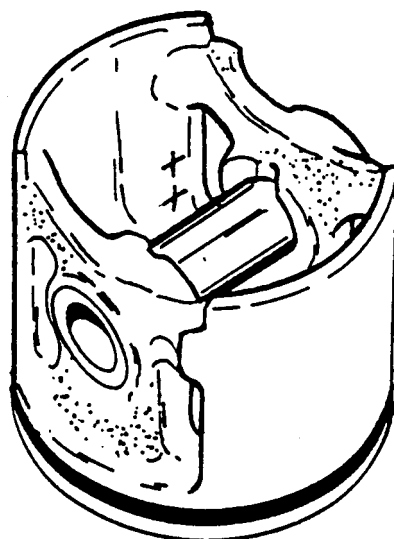


19. Model 281

The piston will be reinforced and the ring pin will be changed from 8 mm to 10 mm. Marking ++.

Ref. No. piston 503 50 27-02 unchanged.

From serial number: 281-0220117



Please turn over!

20. Model 288

Colour marking 54 on the cylinder.

