



SERVICE 		2
		X 90.111-26

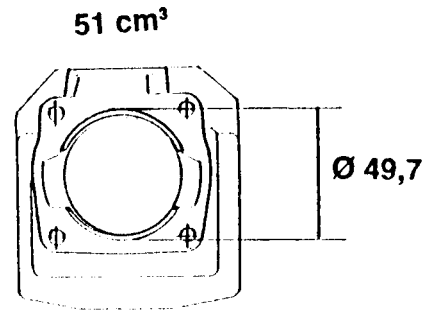
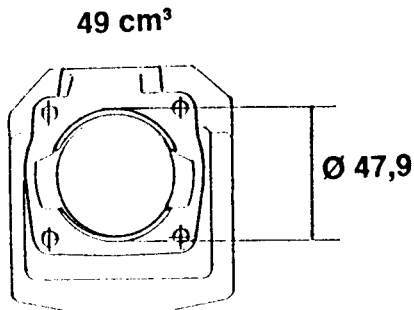
MODEL: 50 SPECIAL REPLACES 50 RANCHER FROM SERIAL NUMBER 9190006

The differences between the model 50 S and 50 R are among other things that the displacement is increased from 49 cm³ to 51 cm³ and that the SA-silencer is replaced.

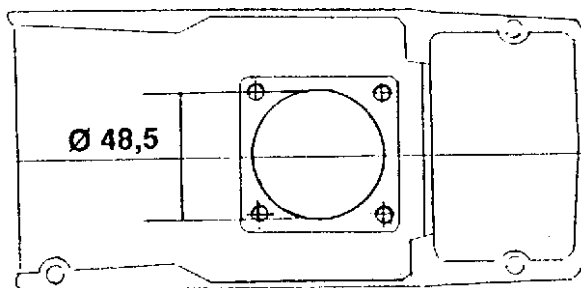
Due to the changes above, the 50 Special has gone through a for each country new specific testing procedure. This means that no 51 cm³ cylinders should be mounted on saws with lower serial number than 9190006.

The 51 cm³ cylinder base does not fit the crankcases of older 50 R models.

- ' The 51 cm³ cylinder base has the outer diameter of approx. 49,7 mm (the outer diameter of the piston = 45 mm).
- ' The 49 cm³ cylinder base has the outer diameter of approx. 47,9 mm (the outer diameter of the piston = 44 mm)
- ' The inner diameter of the new crankcase is approx. 50,5 mm (this crankcase is identified with the improvement code F)
- ' The inner diameter on the old crankcase is approx. 48,5 mm



Old crankcase



New crankcase (F)

