





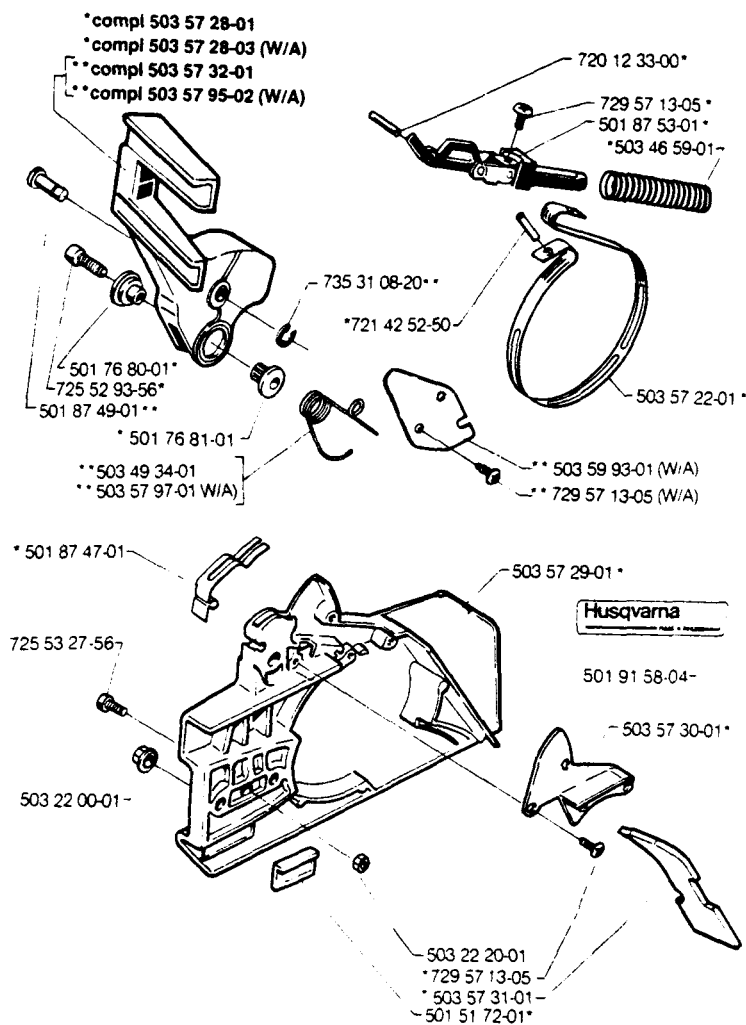
SERVICE 		9
		X 89.118-26

MODELS **61, 66, 266, 268**

A NEW CHAIN BRAKE WITH KNEE LINK FUNCTION

A new type of inertia activated chain brake with knee link function is introduced on the models above. The chain brake is the same design as the ones on the models 40/45, 242 and 254.

The previous type of chain brake will be available as a spare part, until further notice.



Note that parts with the designation W/A are valid only for the models 266 and 268 equipped with wrap-around handle.

Please turn over!

The new chain brake is introduced from serial number	266	-	9240174
	268	-	9230561
	61	-	9310881
	66	-	will be introduced later

IMPORTANT!

When the new chain brake is introduced, a new silencer and spike are introduced at the same time. The new chain brake can only be mounted on saws equipped with the new silencer with a so called spark arrestor and with the new spikes. Saws equipped with so called tube outlet silencer or jungle silencer are not affected.

Information about the new silencers and spikes + a new wrap-around handle, see separate service bulletins.