





<b>SERVICE</b> 		<b>11</b>
		<b>SX 89.123-26</b>

# 50 *Special*

## Complement to the spare parts list 1.1989

From May 1989, serial number 9190006, the "50 Rancher" is replaced by the "50 Special". The introduction of the new model means three big news:

1. New cylinder/piston, in order to give the saw higher efficiency over a wider rpm register.
2. New chain brake equipped with a so called knee link. The new brake is easier to use and does not release involuntary.
3. New SA-silencer, in order to receive a more effective spark arrestor system.

### New version numbers

967 05 13	replaces	967 05 03	(SA-silencer)
967 05 14	replaces	967 05 04	(Standard-silencer)
967 05 15	replaces	967 05 05	(France)
967 05 52	replaces	967 05 51	(Australia)

### 1. Cylinder/Piston

Technical specification	50 Special	50 Rancher
Displacement cm <sup>3</sup> /cu. inch	51/3.1	49/3.0
Bore mm	45	44
Stroke mm	32	32
Power output kW/Hp	2.2/3.0	2.2/3.0
Weight, saw body kg/lbs.	5.3/1 1.6	5.3/1 1.6

Please turn over!

New Ref. No.	Description	Excluded Ref. No.	Remark
503 16 83-01	Cylinder compl.	50 31 160-01	1
503 50 44-02	Piston compl.	50 33 413-07	1
501 86 71-01	Piston ring	50 52 660-65	1
503 50 44-02	Piston compl.	50 31 677-01	2

1 = Excluded Ref. No's remain as spare parts.

2 = Is valid only for France

## 2. Chain brake

New Ref. No.	Description	Excluded Ref. No.	Remark
503 49 81-01	Chain brake compl.	501 76 12-03	1
501 87 84-03	Hand guard		
729 57 13-05	Screw		2
501 87 53-01	Knee link		2
720 12 33-00	Pin		2
501 87 54-01	Brake spring	-	2
501 87 49-01	Pivot pin		2
735 31 08-20	E-ring		2
503 49 34-01	Positioning spring	.	2
501 87 43-01	Brake band	-	2
501 87 47-01	Spring		2
501 87 42-02	Cover		2
503 49 32-01	Clutch cover		

1 = Ref. No. 501 76 12-03 is excluded but all included parts remain as spare parts.

2 = These parts are included also in the model 254.

The same parts for Ref. No. 503 49 81-01 and Ref. No. 501 76 12-03.

Ref. No.	Description	Remark
725 52 93-56	Screw	
501 76 80-01	Pivot sleeve, right	.
501 76 81-01	Pivot sleeve, left	
721 42 52-50	Spiral pin	
503 15 21-01	Cover plate	3

3 = in chain brake compl. Ref. No. 503 49 81-01, the cover plate Ref. No. 503 15 21-01 is fastened with a screw, therefore a screw hole is added. The cover plate will keep its Ref. No. in spite of the change.

Please turn over!

## 3. Silencer

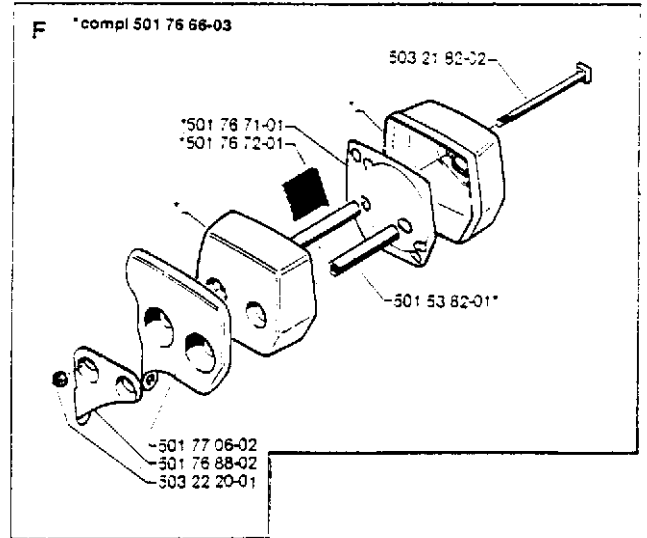
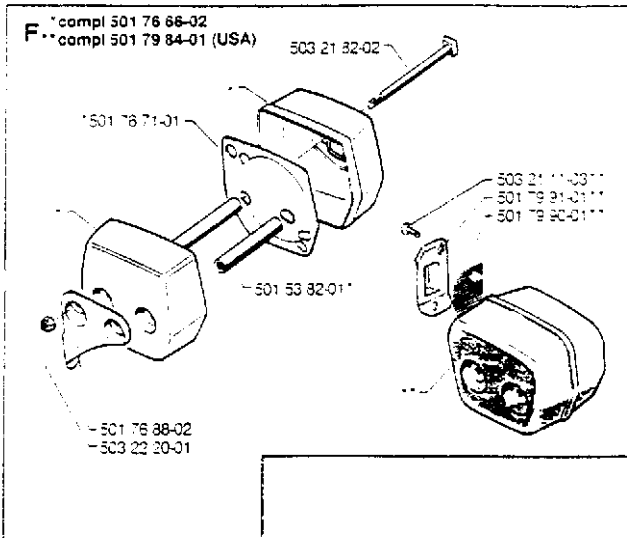
New Ref. No.	Description	Excluded Ref. No.	Remark
501 79 84-01	Silencer compl. SA	501 76 66-03	1
501 76 66-02	Silencer compl. std		2
503 21 11-03	Screw		
501 79 90-01	Spark arrestor screen		
501 79 91-01	Exhaust outlet		

1 = SA = Spark Arrestor

2 = Ref. No. 501 76 66-02 is identical with -03 except for the spark arrestor screen Ref. No. 501 76 72-01, which is excluded. The heat protector Ref. No. 501 77 06-02 is also excluded.

### 50 Special Spare Parts List 1:1989

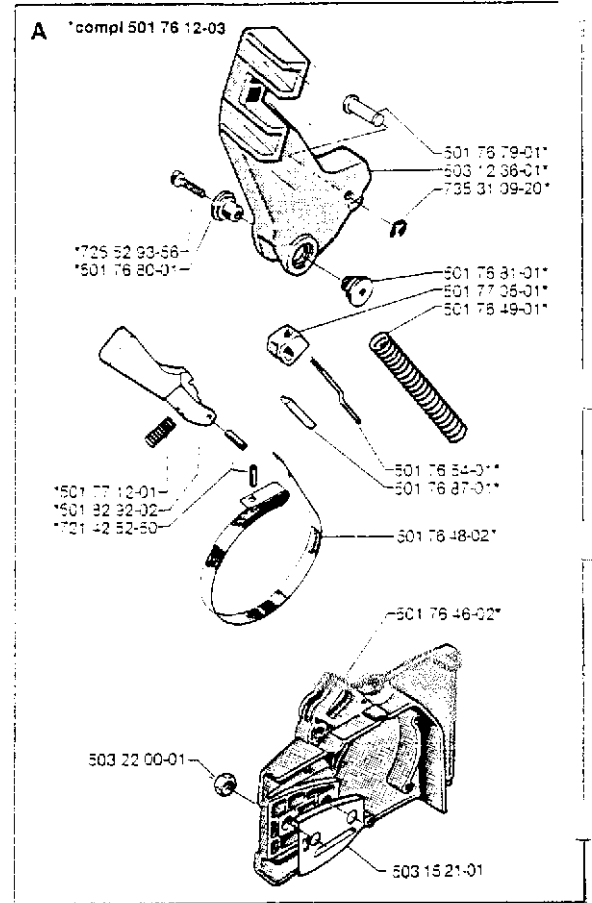
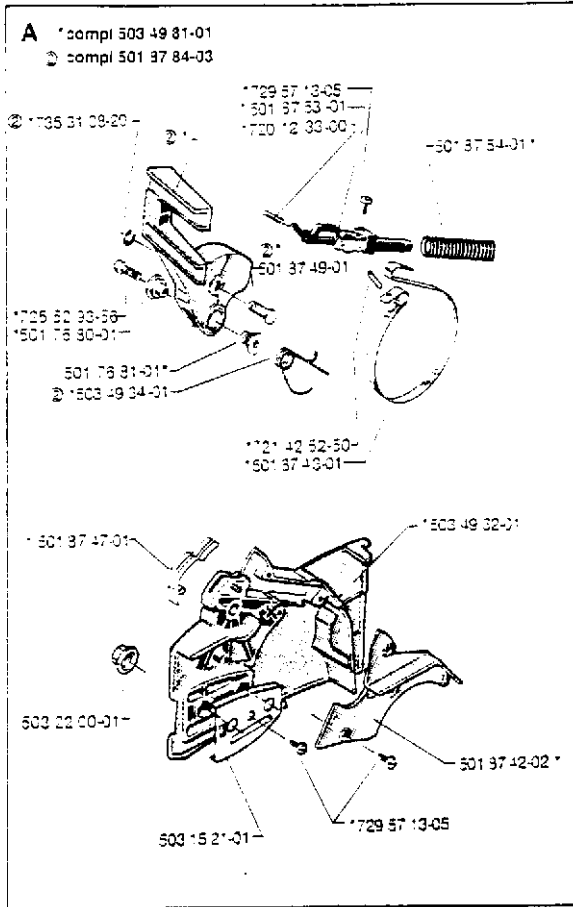
### 50 Rancher Spare Parts List 1.1988



Please turn over!

**50 Special  
Spare Parts List 1:1989**

**50 Rancher  
Spare Parts List 1:1988**

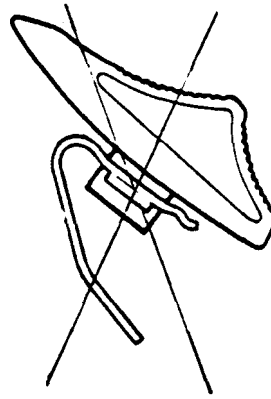
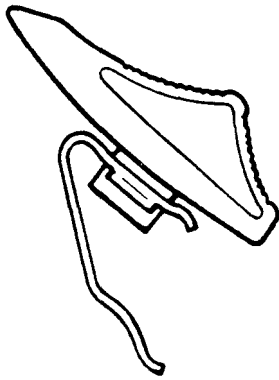


The following news are introduced also:

## New choke control

In order to give the choke control more distinct positions, a new choke spring is introduced. The new spring is modified also in order to avoid air filter damage, which can be the consequence of careless mounting of the cylinder cover. The change is introduced from serial number 9030058.

New Ref. No.	Description	Excluded Ref. No.	Remark
501 77 07-03	Choke compl.	501 77 07-02	

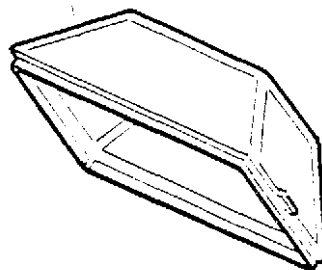


## Air filter

We have introduced a new air filter, which is intended to be used during special dusty conditions.

The new air filter has the Ref. No. 501 76 29-02 and is called "Fine Mesh". The filter is mounted on the versions 96705 13 and 967 05 52. The other versions keep the earlier air filter Ref. No. 501 76 29-01.

-501 76 29-01 (MEDIUM MESH)  
-501 76 29-02 (FINE MESH)



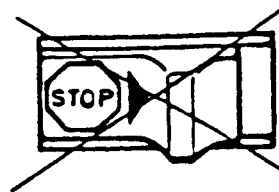
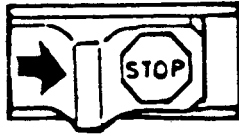
Please turn over!

## Stop switch

We have modified the stop switch. This change means that the grip will be more accessible.

The change is introduced from serial number 8510001.

New Ref. No.	Description	Excluded Ref. No.	Remark
503 08 97-02	Stop switch	503 08 97-01	



## Throttle lever

We have introduced a protector on the lever from serial number 8410364. The protector is made of stainless steel and can be fitted on either throttle levers also.

New Ref. No.	Description	Excluded Ref. No.	Remark
503 09 79-04	Throttle lever	503 09 79-02	
503 57 50-01	Protector		

