



SERVICE 		10
		X 87.126-26

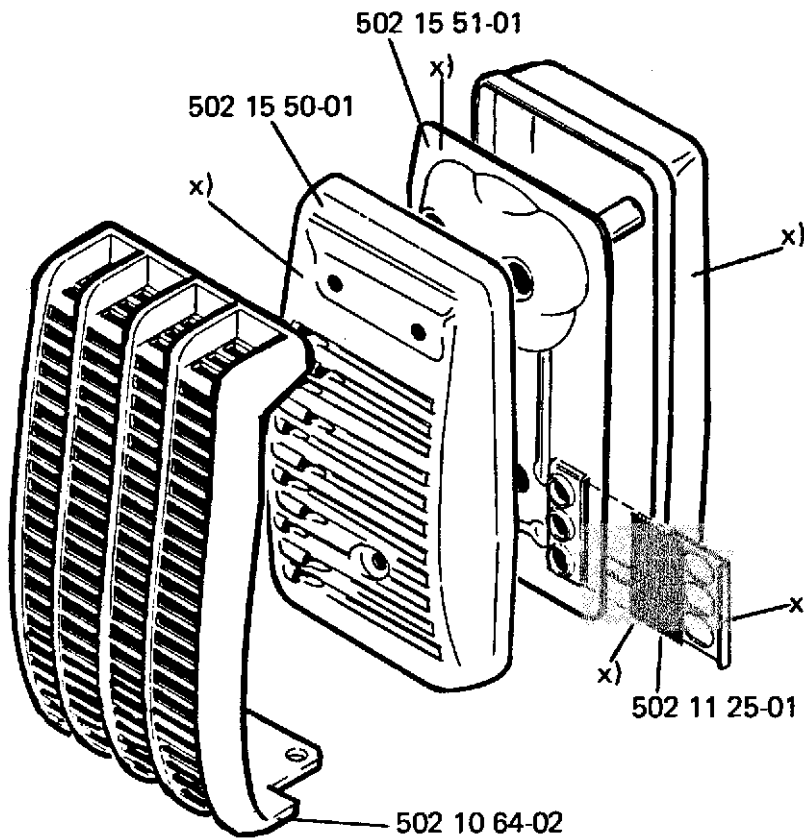
MODEL **165 RX**

SILENCER SAN DIMAS

The model 165 RX is now approved according to the USFS (United States Forest Service).

In order to rebuild clearing saws, which already are being used in the field, the following spare parts are needed:

<u>Ref. No.</u>	<u>Description</u>
502 15 49-01	Silencer compl. FF
502 15 50-01	Silencer front half FF
502 15 51-01	Heat shield
502 11 25-01	Spark arrestor screen
502 10 64-02	Heat shield compl. FF



x) 502 15 49-01 compl.