

MODEL **40**

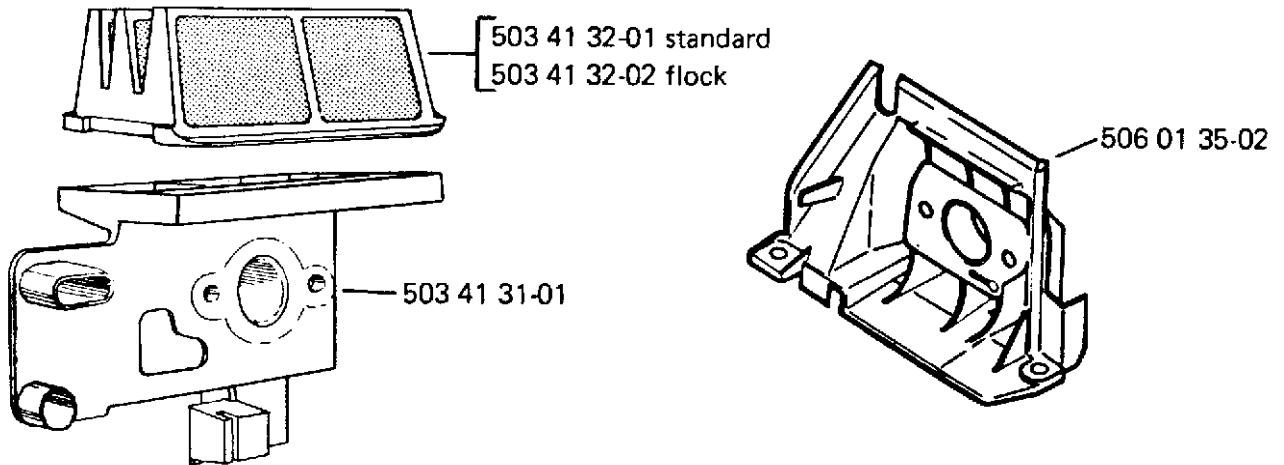
NEW AIR FILTER

A new air filter arrangement is introduced on the model 40. At the same time the attachment for the throttle cable is moved from the heat shield to the air filter holder.

This means the following part changes:

<u>New Ref. No.</u>	<u>Description</u>	<u>Excluded Ref. No.</u>	<u>Remark</u>
503 41 32-01	Air filter, standard	506 01 48-01	Remains as a spare part
503 41 32-02	Air filter, flock	—	
503 41 31-01	Filter holder	506 01 21-01	Remains as a spare part
506 01 35-02	Heat shield	506 01 35-01	Remains as a spare part

The change is introduced from serial number 6481363.



NOTE! Assembly of air filter holder 503 41 31-01 against heat shield 506 01 35-01 can be done if the throttle cable attachment is sawed off, according to the illustration.

