



Service Bulletin	B0402002
	2004-02

Products: **Snow Throwers**

Subject: **Shear Pin Kit**

Due to intermittent hardness issues and reports of pins not always shearing properly, the current two-piece shear pin kit # 532 18 82-43 is being replaced by a three-piece shear pin kit # 601 00 19-86.

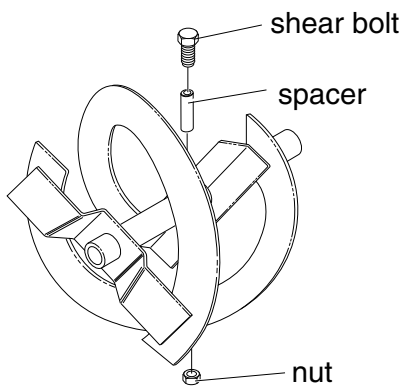
Due to this service issue, available inventory of the new kit may become low. If inventory of these kits is not available, we recommend ordering the individual components.

New part no.	Description	Excl. part no.	Remark
601 00 19-86	shear pin kit	532 18 82-43	

Individual Components:

Qty.	Part No.	Description
2	601 00 14-56	bolt
2	601 00 15-17	spacer
2	601 00 23-18	nut

**New Three-Piece
Shear Pin Kit**



**Current Two-Piece
Shear Pin Kit**

