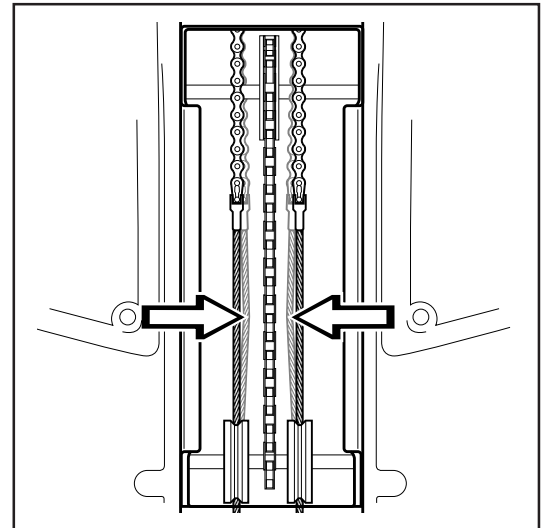


## SB, Rider, Steering wire, 2004-05

The steering wire tension should be checked as follows:

Check the tension of the steering wires by pushing them together (at the arrows).

It should be possible to push them together so that the distance between them is half as much, without using unnecessary force.



When necessary the wires can be tensioned by tightening the adjusting nuts one on each side of the machine.

Do not tension the wires too tightly, they should only be tightened up to the steering rim.

Hold the wire so it does not twist. If you only tension one side the steering wheel's centre position may change.

Check the wire tension as shown above after adjustment has been carried out.

The nuts should be tightened to a torque of 35-45 Nm.

