





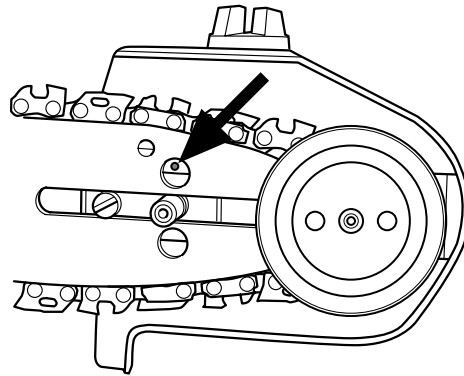
SERVICE 		11
		B0200044

English 1 (1)

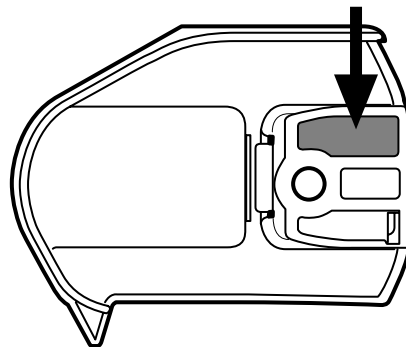
SB, 323 P 4, 325 P 4, 325 P 5, 326 P 4, 326 P 5, Chain lubrication, 2002-06

Pole saws have a rather unusual chain lubrication solution because the bar is mounted on the left side. The bar is located on the left side to give the operator the best possible view of the cutting attachment when working with a pole saw.

The chain oil is pumped from the oil tank into the gearbox and then out through the chain tensioner hole in the bar. See figure 1.



The chain oil fills the upper recess in the chain cover. See figure 2.



The chain oil is pumped into the chain lubrication hole on the left side of the bar. See figure 3.

