





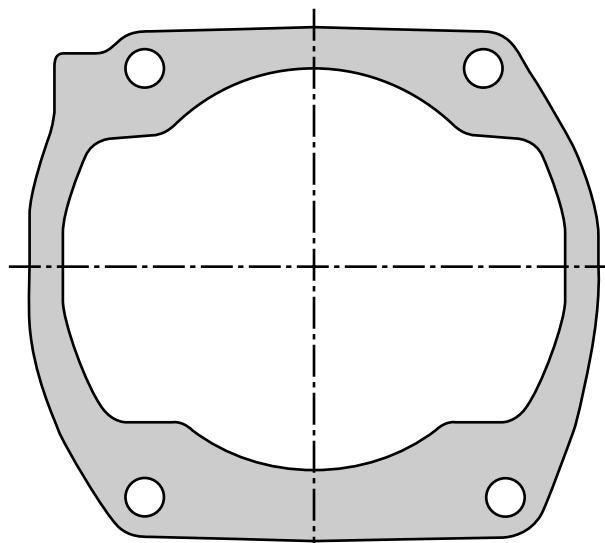
SERVICE 		2
		B0200013

English 1 (1)

SB, 372 XP, 365 Special, 362 Special, Cylinder base gasket, 2002-02

A wider gasket prevents leakage between the cylinder and crankcase. Parts are fully interchangeable.

New part. no.	Description	Excl. part no.	Remark
503 96 15-01	Cylinder base gasket	503 90 99-01	
Introduced from serial number:			
	365	015000401	
	372	015100701	
	362	020200001	



503 96 15-01