



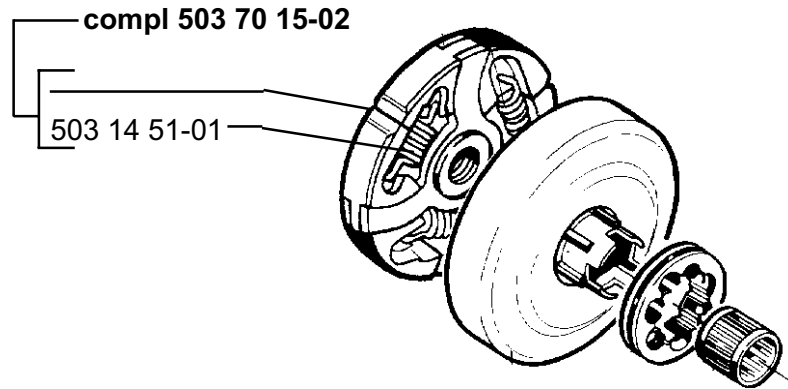


|  |  |                 |
|--|--|-----------------|
| <b>SERVICE</b><br> |  | <b>1</b>        |
|  |  | <b>B0000025</b> |

English 1 (1)

## SB, 281, 288, 394, Clutch, 2000-10

An improved clutch with reinforced clutch hub has been introduced into production.



| New Ref. No. | Description   | Excl. Ref. No. | Remarks |
|--------------|---------------|----------------|---------|
| 503 70 15-02 | Clutch compl. |                |         |

Clutches with an earlier design remain as spare parts for other models.

|                                 |         |           |
|---------------------------------|---------|-----------|
| Introduced from serial numbers: | 281/288 | 003900001 |
|                                 | 394     | 003700001 |