

For Husqvarna Parts Call 606-678-9623 or 606-561-4983

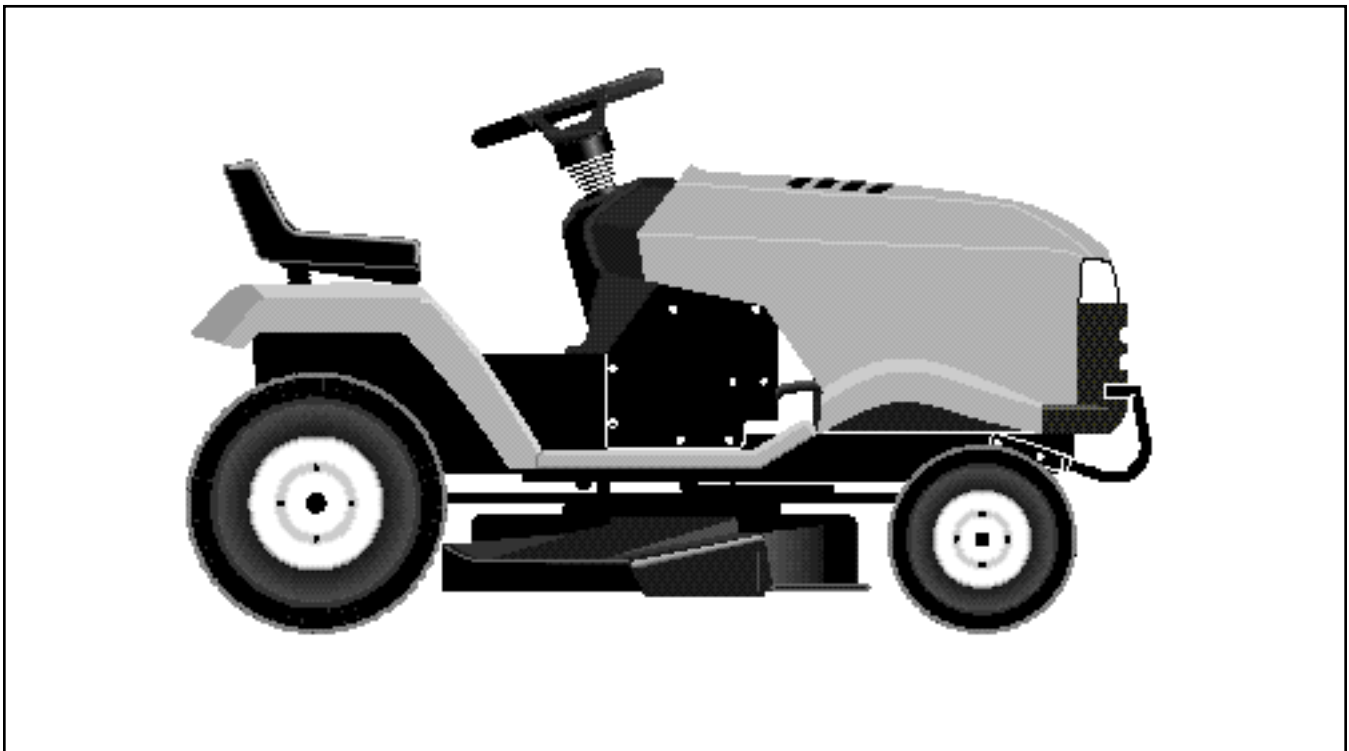


Illustrated Parts
List

1999-10

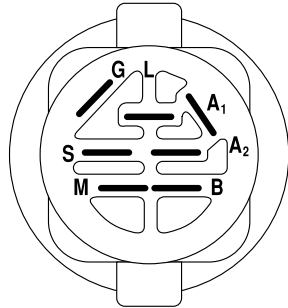
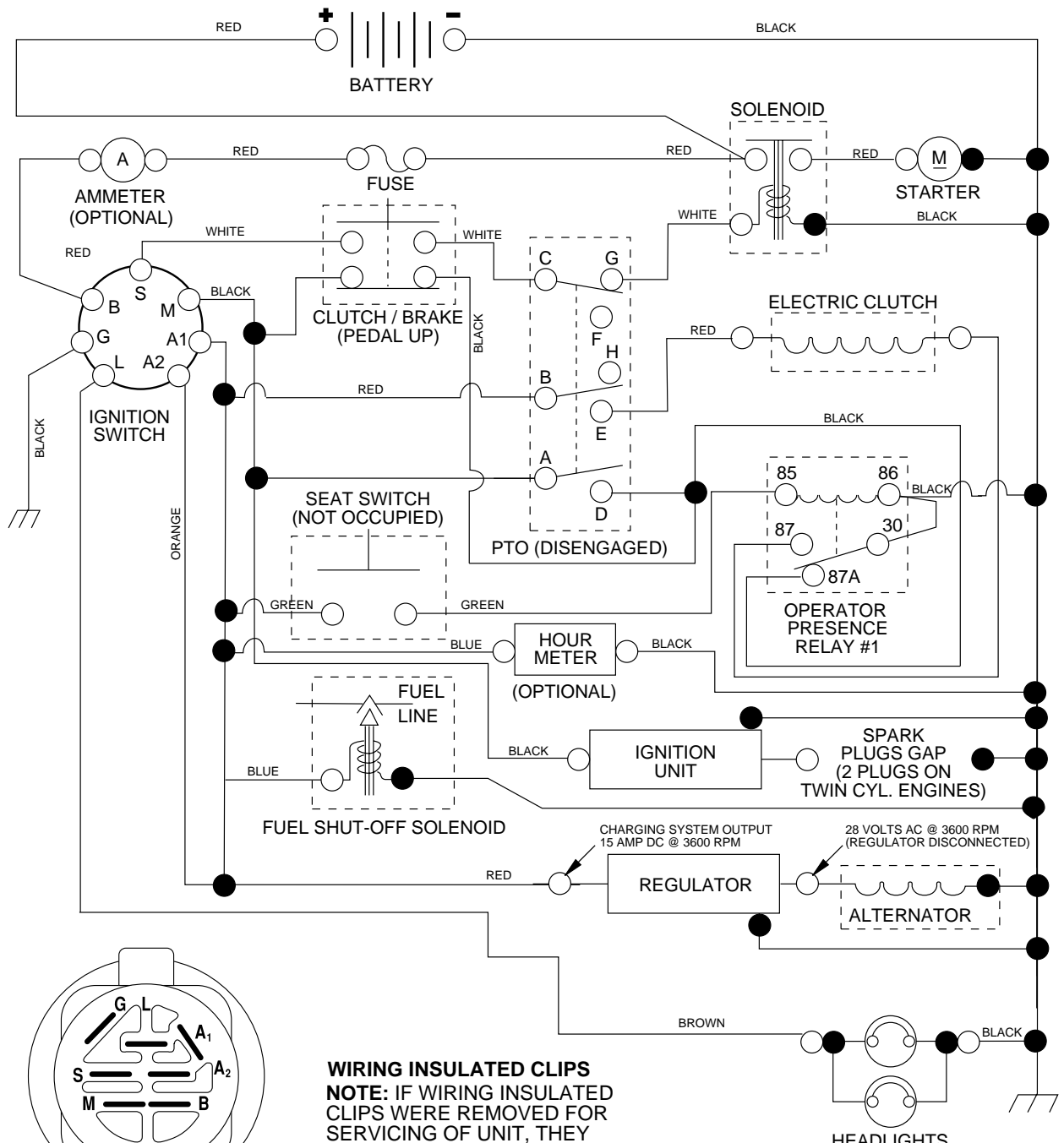
I9902047

GTVH 205



954140102A

TRACTOR - MODEL NO. GTVH205 (954140102A), PRODUCT NO. 954 14 01-02 SCHEMATIC



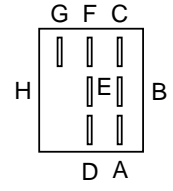
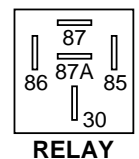
IGNITION SWITCH

| POSITION | CIRCUIT | "MAKE" |
|-----------|------------|--------|
| OFF | M+G+A1 | NONE |
| RUN/LIGHT | B+A1 | A2+L |
| RUN | B+A1 | NONE |
| START | B + S + A1 | NONE |

WIRING INSULATED CLIPS
NOTE: IF WIRING INSULATED CLIPS WERE REMOVED FOR SERVICING OF UNIT, THEY SHOULD BE REPLACED TO PROPERLY SECURE YOUR WIRING.

PTO SWITCH

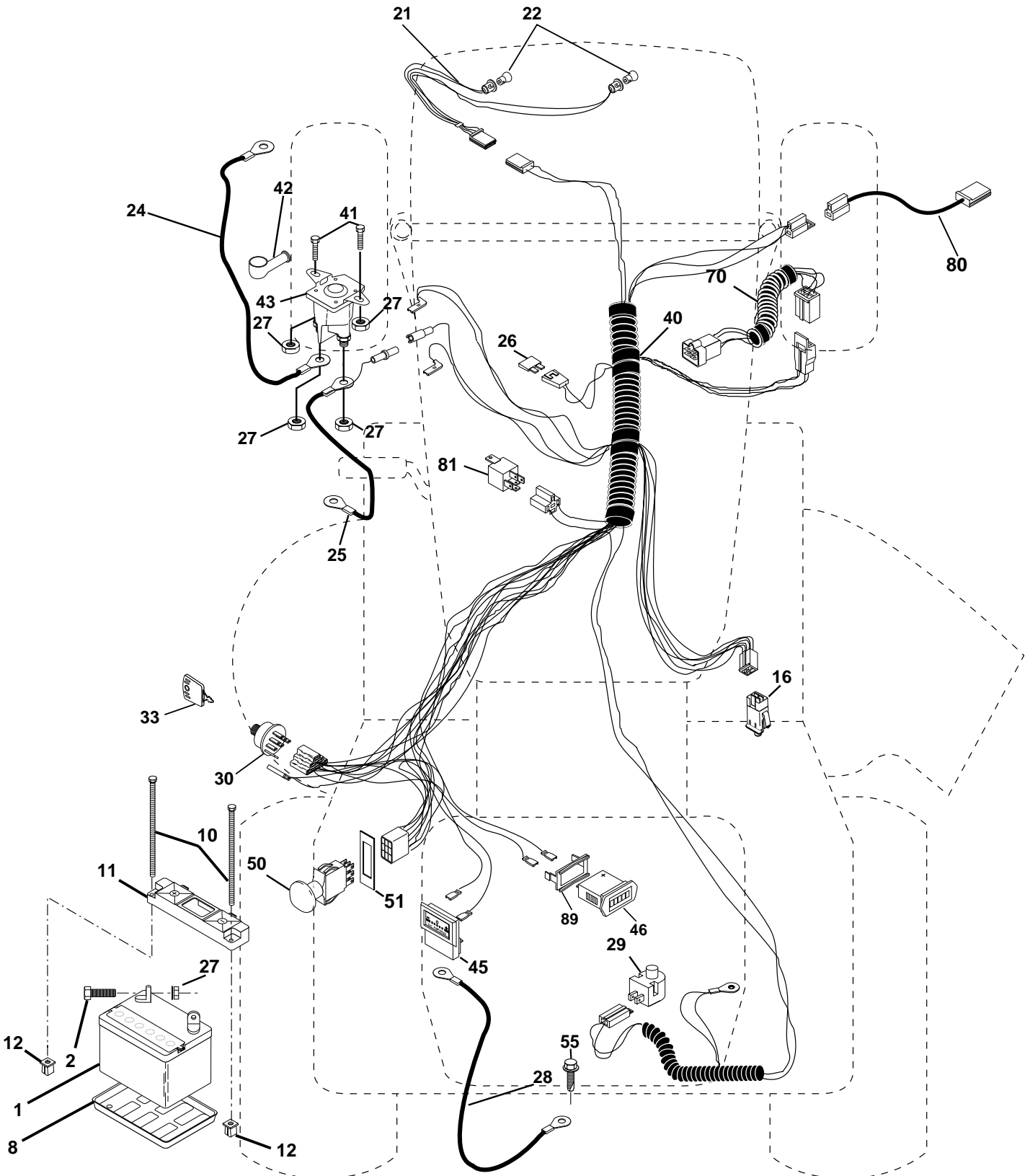
| POSITION | CIRCUIT |
|----------|---------------------|
| OFF | C + G, B + H |
| ON | C + F, B + E, A + D |



For Husqvarna Parts Call 606-678-9623 or 606-561-4983 REPAIR PARTS

TRACTOR - MODEL NO. GTVH205 (954140102A), PRODUCT NO. 954 14 01-02

ELECTRICAL



For Husqvarna Parts Call 606-678-9623 or 606-561-4983

REPAIR PARTS

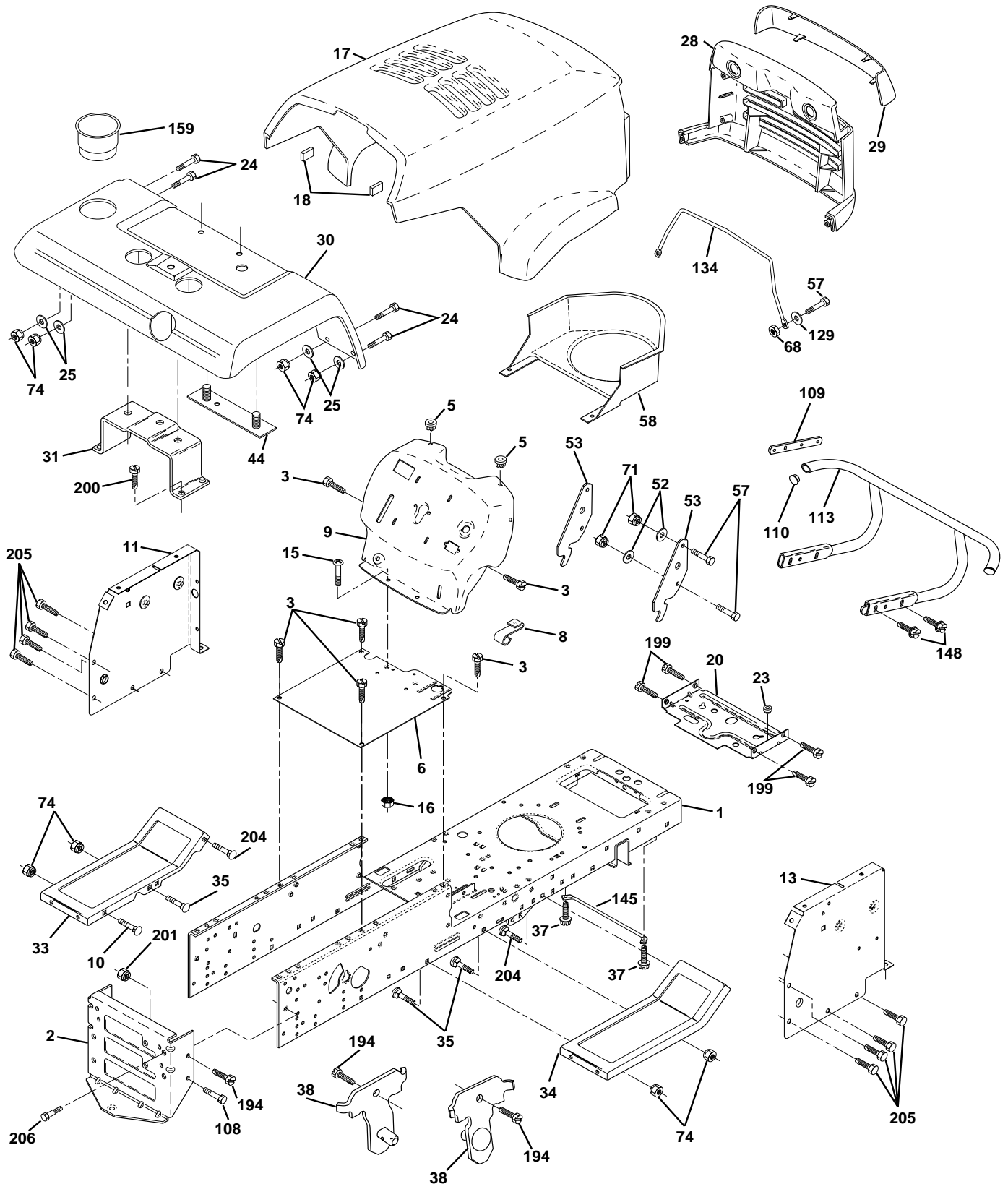
TRACTOR - MODEL NO. GTVH205 (954140102A), PRODUCT NO. 954 14 01-02
ELECTRICAL

| KEY NO. | PART NO. | DESCRIPTION |
|---------|-----------|---------------------------------------|
| 1 | 532144927 | Battery, 12 Volt, 35 Amp |
| 2 | 532171017 | Bolt, Hex Head 1/4-20 UNC x 3/4 |
| 8 | 532124886 | Tray, Battery |
| 10 | 532171327 | Bolt, Battery Front 1/4-20 x 7.5 Zinc |
| 11 | 532150109 | Holddown Battery Dash Mount |
| 12 | 532145769 | Nut, Push Nylon 1/4" Battery Front |
| 16 | 532153664 | Switch Interlock Push-In |
| 21 | 532166181 | Harness, Light |
| 22 | 532004152 | Bulb, Light |
| 24 | 532124780 | Cable, Battery, 6 Gauge, 11", Red |
| 25 | 532146148 | Cable, Battery |
| 26 | 532166180 | Fuse, 15 Amp |
| 27 | 532171018 | Nut, Hex, Keps 1/4-20 UNC |
| 28 | 532145491 | Cable, Ground, 6 Gauge, 12", Black |
| 29 | 532160784 | Switch, Plunger, Normal Op Olive |
| 30 | 532163968 | Switch, Ignition |
| 33 | 532140401 | Key, Ignition |
| 40 | 532170221 | Harness, Ignition |
| 41 | 532171197 | Bolt, Hex, Fin. 1/4-20 x 1/2 |
| 42 | 532131563 | Cover, Terminal, Red |
| 43 | 532145673 | Solenoid |
| 45 | 532122822 | Ammeter, Rectangular, 15 AMP |
| 46 | 532169635 | Hourmeter Snap-In |
| 50 | 532169417 | Switch, PTO |
| 51 | 532140405 | Ring, Retainer, PTO |
| 55 | 532171539 | Screw, Thdrol 5/16-18 x 1/2 TYT |
| 70 | 532170251 | Harness, Engine |
| 80 | 532146685 | Harness Clutch EVX |
| 81 | 532109748 | Relay Assembly |
| 89 | 532169639 | Bracket Snap-In Hourmeter |

NOTE: All component dimensions given in U.S. inches
1 inch = 25.4 mm

For Husqvarna Parts Call 606-678-9623 or 606-561-4983 REPAIR PARTS

TRACTOR - MODEL NO. GTVH205 (954140102A), PRODUCT NO. 954 14 01-02
CHASIS AND ENCLOSURES



For Husqvarna Parts Call 606-678-9623 or 606-561-4983

REPAIR PARTS

TRACTOR - MODEL NO. GTVH205 (954140102A), PRODUCT NO. 954 14 01-02
CHASIS AND ENCLOSURES

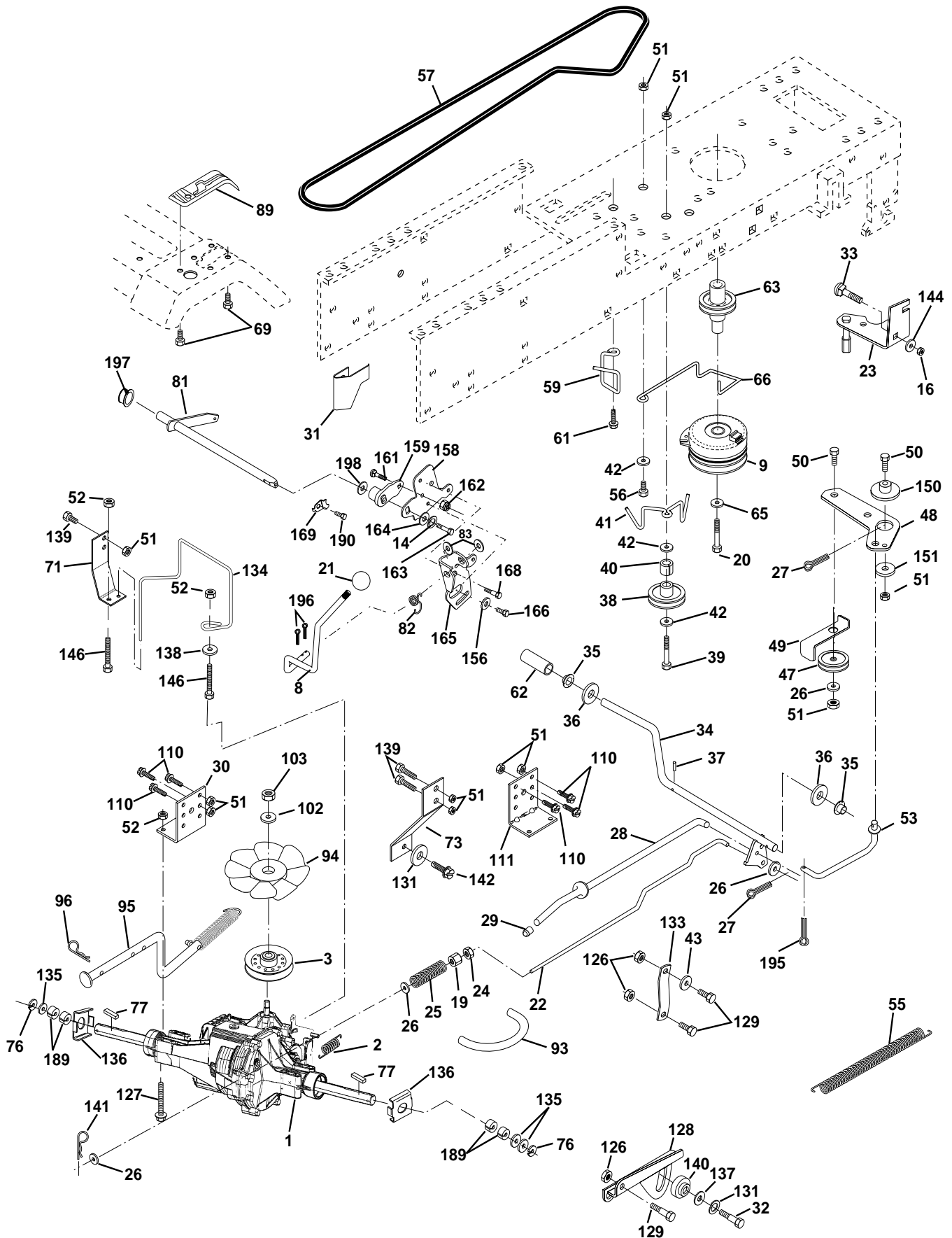
| KEY NO. | PART NO. | DESCRIPTION |
|---------|-----------|----------------------------------|
| 1 | 532169831 | Chassis Stamping |
| 2 | 532169061 | Drawbar |
| 3 | 532171154 | Screw 3/8-16x3/4 |
| 5 | 532155272 | Bumper |
| 6 | 532155923 | Saddle |
| 8 | 532126471 | Clip Insulator |
| 9 | 532171560 | Dashboard |
| 10 | 532171150 | Bolt |
| 11 | 532156682 | Panel Asm. |
| 13 | 532169123 | Panel Asm. |
| 15 | 532171194 | Screw 5/16-18 Unc x 3/4 |
| 16 | 532171195 | Nut Keps 5/16-18 Unc |
| 17 | 532165378 | Hood |
| 18 | 532126938 | Bumper |
| 20 | 532156437 | Plate Mtg Battery/Fuel Tank |
| 23 | 532124028 | Bushing |
| 24 | 532171031 | Bolt 3/8-16 Unc x 1 Gr. 5 |
| 25 | 532171151 | Washer 13/32 x 13/16 x 12 Ga. |
| 26 | 873800600 | Nut Lock w/Insert 3/8-16 UNC |
| 28 | 532165379 | Grille |
| 29 | 532165380 | Grille Lens |
| 30 | 532169426 | Fender |
| 31 | 532137113 | Bracket |
| 33 | 532147203 | Foot Rest, L.H. |
| 34 | 532147202 | Foot Rest, R.H. |
| 35 | 532171272 | Bolt 3/8-16 x 3/4 |
| 37 | 532171169 | Screw 5/16-18 x 1/2 Tyt |
| 38 | 532169834 | Bracket Asm Pivot Mower Rear |
| 44 | 532140675 | Strap Asm. Fender |
| 52 | 532171224 | Washer 9/32 x 7/8 x 16 Ga. |
| 53 | 532150067 | Bracket LT/PL Husq. |
| 57 | 532171226 | Hex Bolt 1/4-20 x .75 |
| 58 | 532151171 | Duct Air |
| 68 | 532171018 | Nut Keps 1/4-20 UNC |
| 71 | 532171227 | Nut Crownlock 1/4-20 unc Blkd |
| 74 | 532171141 | Nut, Crownlock 3/8-16 UNC |
| 108 | 532171554 | Hex Bolt 3/8-16 UNC x 3/4 |
| 109 | 532170310 | Bracket Extension Bumper |
| 110 | 532143679 | Plug Plastic |
| 113 | 532170311 | Bumper Asm. |
| 129 | 532171225 | Washer 9/32 x 5/8 x 16 Ga. |
| 134 | 532160219 | Rod Support Hood |
| 145 | 532156524 | Rod Pivot Chassis Hood |
| 148 | 532171466 | Screw 3/8-16 x 1-1/4 |
| 159 | 532166625 | Cupholder YTGT Grey |
| 194 | 532171167 | Screw 3/8-16 x 7.5 Smgml Tap/R Z |
| 201 | 532171168 | Nut Crownlock 3/8-16 unc SD |
| 204 | 532171154 | Screw 3/8-16 x 3/4 Smgml Tap/R |
| 205 | 532171181 | Screw Thdrol 3/8-16 x 1/2 Ty-TT |
| 206 | 532171555 | Bolt Shoulder 5/16-18 TT SD |

NOTE: All component dimensions given in U. S. inches.
1 inch = 25.4 mm

For Husqvarna Parts Call 606-678-9623 or 606-561-4983 REPAIR PARTS

TRACTOR - MODEL NO. GTVH205 (954140102A), PRODUCT NO. 954 14 01-02

DRIVE



For Husqvarna Parts Call 606-678-9623 or 606-561-4983

REPAIR PARTS

TRACTOR - MODEL NO. GTVH205 (954140102A), PRODUCT NO. 954 14 01-02

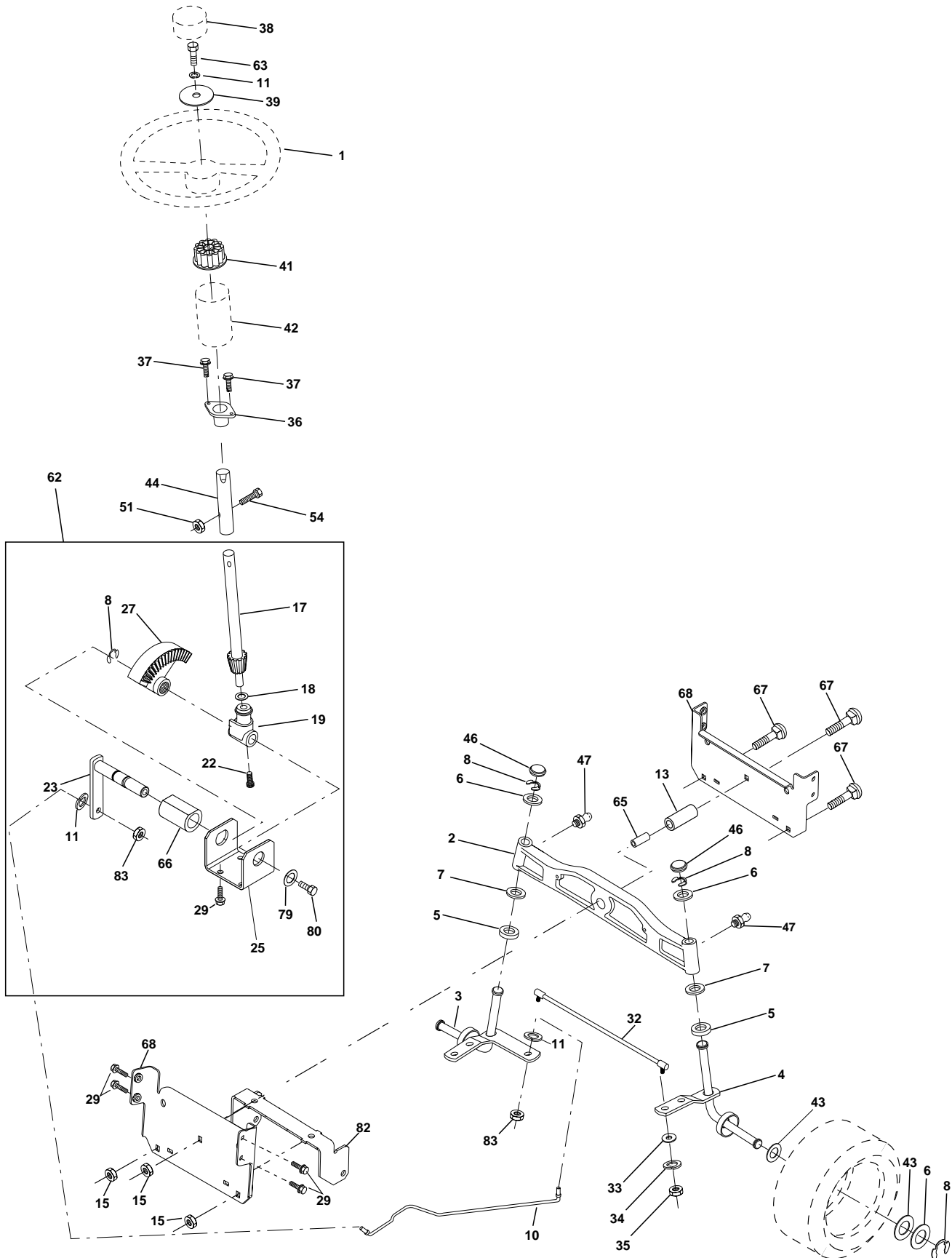
DRIVE

| KEY NO. | PART NO. | DESCRIPTION | KEY NO. | PART NO. | DESCRIPTION |
|---------|-----------|--|---------|-----------|----------------------------------|
| 1 | ----- | Transaxle Hydro Gear 325-3000 (Order parts from transaxle manufacturer) | 76 | 812000053 | E-Ring |
| 2 | 532142431 | Spring, Brake Return | 77 | 532124762 | Key, Square |
| 3 | 532143995 | Pulley, Transaxle | 81 | 532165598 | Shaft Asm Cross Tapered |
| 8 | 532166020 | Rod Shift Fender Adjust | 82 | 532123782 | Spring, Torsion |
| 9 | 532160889 | Clutch Elect EVX 80 lb. | 83 | 532171230 | Washer 17/32 x 3/4 x 16 Ga. |
| 14 | 532171185 | Washer Lock Hvy Helical | 89 | 532166624 | Console, Shift |
| 16 | 532171410 | Nut, Lock Hex w/Ins. 5/16-18 UNC | 93 | 532142564 | Fuel Line |
| 19 | 532171408 | Nut, Lock Hex w/Washer 3/8-16 Unc | 94 | 532140462 | Fan 7" |
| 20 | 532171219 | Bolt Hex 7/16-20 x 4-1/4 Ga. 5 | 95 | 532158508 | Control Assembly Bypass Hydro |
| 21 | 532140845 | Knob Delux 1/2-13 Unc | 96 | 532171160 | Retainer, Spring 1" |
| 22 | 532171545 | Rod, Brake | 102 | 532141322 | Washer .501 x 1.50D |
| 23 | 532171258 | Bracket Asm Anti Rot Evx 2000 | 103 | 532171128 | Nut Hex Jam Toplock 1/2-20 UNF |
| 24 | 532171163 | Nut, Hex Jam 3/8-16 | 110 | 532171554 | Bolt, Hex 3/8-16 UNC x 3/4 |
| 25 | 532171164 | Spring, Rod, Brake | 111 | 532123776 | Bracket |
| 26 | 532171140 | Washer 13/32 x 13/16 x 16 Ga. | 126 | 532171538 | Locknut |
| 27 | 532171165 | Pin Cotter 1/8 x 3/4 Cad SD | 127 | 532171400 | Bolt, Hex 5/16-18 UNC x 3 |
| 28 | 532171166 | Rod, Brake, Park | 128 | 532158284 | Bracket |
| 29 | 532071673 | Cap, Brake Parking Black | 129 | 532171537 | Bolt 5/16-18 UNC |
| 30 | 532123780 | Bracket, Transaxle | 131 | 532171540 | Washer Lock 5/16 NDM PLTD |
| 31 | 532123791 | Keeper, Belt, Transaxle, | 133 | 532165926 | Link Transaxle Hydro 3000 |
| 32 | 532171142 | Hex Bolt 5/16-18 UNC x 3/4 | 134 | 532158278 | Belt, Guide |
| 33 | 532171221 | Bolt Rdhd Sqnk 5/16-18 Unc x 3/4 | 135 | 532123800 | Washer 1-1/32 x 1-5/8 x 16 Ga. |
| 34 | 532155071 | Shaft, Foot Pedal | 136 | 532163168 | Washer |
| 35 | 532120183 | Bearing Nylon | 137 | 532171541 | Washer 11/32 x 3/4 x 12 Ga. |
| 36 | 532171368 | Washer | 138 | 532171551 | Washer 11/32 x 1.25 x 16 Ga. |
| 37 | 532124963 | Pin, Roll | 139 | 532171559 | Bolt, Hex 3/8-16 UNC x 3/4 |
| 38 | 532131494 | Idler, Flat | 140 | 532004475 | Bushing |
| 39 | 532171247 | Bolt | 141 | 532159197 | Pin |
| 40 | 532124965 | Spacer, Split | 142 | 532171546 | Bolt 5/16 x 24 x 1 |
| 41 | 532165838 | Keeper, Idler | 144 | 532171222 | Washer 11/32 x 5/8 x 16 Ga SD |
| 42 | 532171151 | Washer 13/32 x 13/16 x 12 Ga. | 146 | 532171157 | Bolt Hex Flghd 5/16-18 x 2-1/4 |
| 43 | 532171539 | Washer 11/32 x 5/8 x 12 Ga. | 150 | 532165850 | Bushing Bellcrank Grd Drive |
| 47 | 532127783 | Pulley, Idler | 151 | 532171179 | Washer 13/32 x 2 x 10 Ga. |
| 48 | 532154407 | Bellcrank Clutch Grnd Drv Stl | 156 | 532171233 | Washer Srrted 5/16ID x 1.125 |
| 49 | 532123205 | Retainer, Belt | 158 | 532165589 | Bracket Shift Mount |
| 50 | 532171180 | Bolt Carr Sh 3/8-16 X 1-1/2 Gr 5 | 159 | 532165494 | Hub Tapered Flange Shift Lt |
| 51 | 532171168 | Nut, Crownlock 3/8-16 | 161 | 532171183 | Bolt Rdhd Sqnk 1/4-20 x 3/4 Gr 5 |
| 52 | 532171026 | Nut Crown Lock 5/16-18 Blk D | 162 | 532171184 | Nut Crownlock 1/4-20 Unc |
| 53 | 532105710 | Link, Clutch | 163 | 532171186 | Bolt Hex Fin 1/4-20 Unc x 1 Gr 5 |
| 55 | 532105709 | Spring, Return, Clutch | 164 | 532171172 | Washer 5/8 x .281 x 10 Ga |
| 56 | 532171187 | Bolt, Hex 3/8-16 UNC x 1-1/4 | 165 | 532165623 | Bracket Pivot Lever |
| 57 | 532161741 | V-Belt Drive | 166 | 532166880 | Screw 5/16-18 x 5/8 |
| 59 | 532140312 | Keeper Belt Centerspan | 168 | 532171232 | Bolt Shoulder 5/16-18 x .561 |
| 61 | 532171167 | Screw 3/8-16 x 3/4 | 169 | 532165581 | Plate Fastening Lt |
| 62 | 532124872 | Cover, Foot Pedal | 189 | 532171566 | Washer Spacer Axle |
| 63 | 532161400 | Engine Pulley | 190 | 532171181 | Screw Thdrol 3/8-16 x 1/2 |
| 65 | 532171220 | Washer | 195 | 532171547 | Pin Cotter 1/8 x 3/4 Cad Blk D |
| 66 | 532161488 | Keeper, Belt Engine | 196 | 532171565 | Pin, Cotter 1/8 x 1 |
| 69 | 532142432 | Screw | 197 | 532169613 | Nyliner Snap-in 5/8" ID |
| 71 | 532158283 | Torque Fastener L.H. | 198 | 532169593 | Washer Nyl 7/8ID x 105" Hyd CRD |
| 73 | 532158282 | Torque Fastener R.H. | | | |

NOTE: All component dimensions given in U.S. inches
1 inch = 25.4 mm

For Husqvarna Parts Call 606-678-9623 or 606-561-4983 REPAIR PARTS

TRACTOR - MODEL NO. GTVH205 (954140102A), PRODUCT NO. 954 14 01-02
STEERING ASSEMBLY



For Husqvarna Parts Call 606-678-9623 or 606-561-4983

REPAIR PARTS

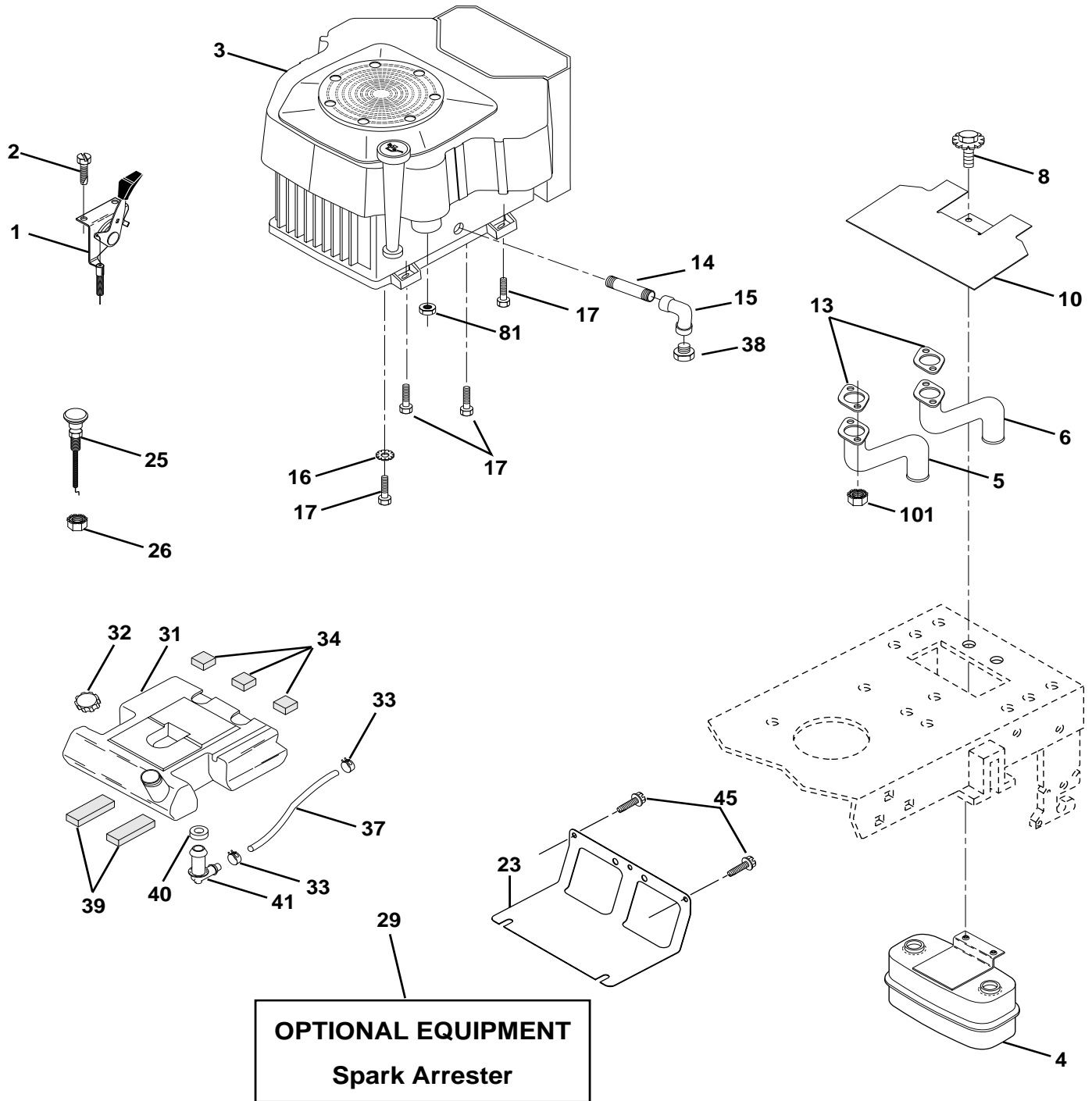
TRACTOR - MODEL NO. GTVH205 (954140102A), PRODUCT NO. 954 14 01-02
STEERING ASSEMBLY

| KEY NO. | PART NO. | DESCRIPTION |
|---------|-----------|------------------------------------|
| 1 | 532166627 | Steering Wheel |
| 2 | 532165854 | Axle, Front |
| 3 | 532169840 | Spindle, L.H. |
| 4 | 532169839 | Spindle, R.H. |
| 5 | 532124931 | Bearing, Thrust |
| 6 | 532171039 | Washer 25/32 x 1-5/8 x 16 Gauge |
| 7 | 532171240 | Washer 27/32 x 1-1/4 x 16 Ga. |
| 8 | 812000029 | Klip Ring |
| 10 | 532169832 | Link, Drag |
| 11 | 532171029 | Washer, Lock 3/8 |
| 12 | 873940800 | Nut, Hex, Jam, Top Lock 1/2-20 UNF |
| 13 | 532136518 | Spacer Brg Axle front |
| 15 | 532171178 | Nut Hex flange Lock Yel D |
| 17 | 532156546 | Shaft, Steering |
| 18 | 532057079 | Washer |
| 19 | 532160395 | Shaft, Support |
| 22 | 532171188 | Screw Hex Wsh hd Torx |
| 23 | 532165851 | Shaft, Pitman |
| 25 | 532154406 | Bracket, Steering |
| 27 | 532136874 | Gear, Sector |
| 29 | 532171167 | Screw, 3/8-16 x 3/4 |
| 32 | 532139929 | Rod, Tie |
| 33 | 532171392 | Washer 11/32 x 3/4 x 16 Ga. |
| 34 | 532171213 | Washer Lock Hvy Helical 5/10 SD |
| 35 | 532171248 | Nut Crown Lock 5/16-18 Slvr DC |
| 36 | 532155099 | Bushing Steering |
| 37 | 532171193 | Screw TT #10-32 X 5 x 3/8 Flange |
| 38 | 532166626 | Insert, Steering Wheel |
| 39 | 532171388 | Washer |
| 41 | 532159945 | Adapter, Steering Wheel |
| 42 | 532169634 | Boot Steering Dash P/L Mtl |
| 43 | 532171038 | Washer, 25/32 x 1-1/4 x 16 Gauge |
| 44 | 532171024 | Extension Steering Non-Adjust |
| 46 | 532121232 | Spindle, Cap |
| 47 | 532124836 | Grease Zerk |
| 51 | 532171026 | Nut Crown Lock 5/16-18 Blk D |
| 54 | 532171025 | Bolt Fin Hex 5/16-18 Unc x 1-1/4 |
| 62 | 532167902 | Kit Steering Asm Service |
| 63 | 532171031 | Bolt Fin Hex 3/8-16 Unc x 1 Gr. 5 |
| 65 | 532160367 | Spacer Brace Axle |
| 66 | 532154404 | Bearing Arm Pittman |
| 67 | 532171176 | Bolt Rdhd Sqnk 3/8-16 x 2-1/4 |
| 68 | 532169827 | Brace Brace Axle |
| 79 | 532171189 | Washer 13/32 x 1-1/4 x 12 Ga |
| 80 | 532171190 | Bolt Hex Nylon 3/8-16 x 3/4 |
| 82 | 532169835 | Bracket Susp Chassis Front 15" |
| 83 | 532171426 | Nut, Lock Center 3/8-24 Unf Blk |

NOTE: All component dimensions given in U.S. inches.
1 inch = 25.4 mm

For Husqvarna Parts Call 606-678-9623 or 606-561-4983 REPAIR PARTS

TRACTOR - MODEL NO. GTVH205 (954140102A), PRODUCT NO. 954 14 01-02
ENGINE



For Husqvarna Parts Call 606-678-9623 or 606-561-4983

REPAIR PARTS

TRACTOR - MODEL NO. GTVH205 (954140102A), PRODUCT NO. 954 14 01-02

ENGINE

| KEY NO. | PART NO. | DESCRIPTION |
|---------|-----------|--|
| 1 | 532155274 | Control, Throttle |
| 2 | 532171192 | Screw, Hex Head, Thread Cutting 1/4-20 x 5/8 |
| 3 | ----- | Engine, Kohler CV205 (Order parts from engine manufacturer) |
| 4 | 532149723 | Muffler |
| 5 | 532146699 | Pipe Exhaust, LH |
| 6 | 532146700 | Pipe Exhaust, RH |
| 8 | 532171376 | Bolt 5/16-18 UNC x 3/4 w/Sems |
| 10 | 532146629 | Shield Heat Muffler |
| 13 | 532163307 | Muffler Gasket (Order from Engine Manufacturer) |
| 14 | 813280336 | Nipple, Pipe 3/8 NPT x 4-1/2 |
| 15 | 813200300 | Elbow, Standard 90° 3/8-18 NPT |
| 16 | 532171217 | Washer, Lock, External Tooth 3/8 |
| 17 | 532171564 | Screw Thdrol 3/8-16 x 1-1/2 |
| 23 | 532169837 | Shield, Browning / Debris Guard |
| 25 | 532145996 | Choke Control |
| 26 | 873920600 | Nut, Keps 3/8-24 UNF |
| 29 | 532137180 | Kit, Spark Arrestor |
| 31 | 532151346 | Tank Fuel 3 50 Rear |
| 32 | 532140527 | Cap Asm Fuel W/sym Vented |
| 33 | 532123487 | Clamp, Hose |
| 34 | 532106082 | Pad, Spacer |
| 37 | 532142158 | Line, Fuel |
| 38 | ----- | Plug, Oil Drain (Order From Engine Manufacturer) |
| 39 | 532109227 | Pad, Idler |
| 40 | 532124952 | Bushing |
| 41 | 532139277 | Stem, Fuel Tank |
| 45 | 532171154 | Screw 3/8-16 x 3/4 Smgml Tap R |
| 81 | 532128861 | Nut, Flange 1/4-20 Starter Nut |
| 101 | 532163305 | Nut Flange M8-1.25 Non-Lk Zink |

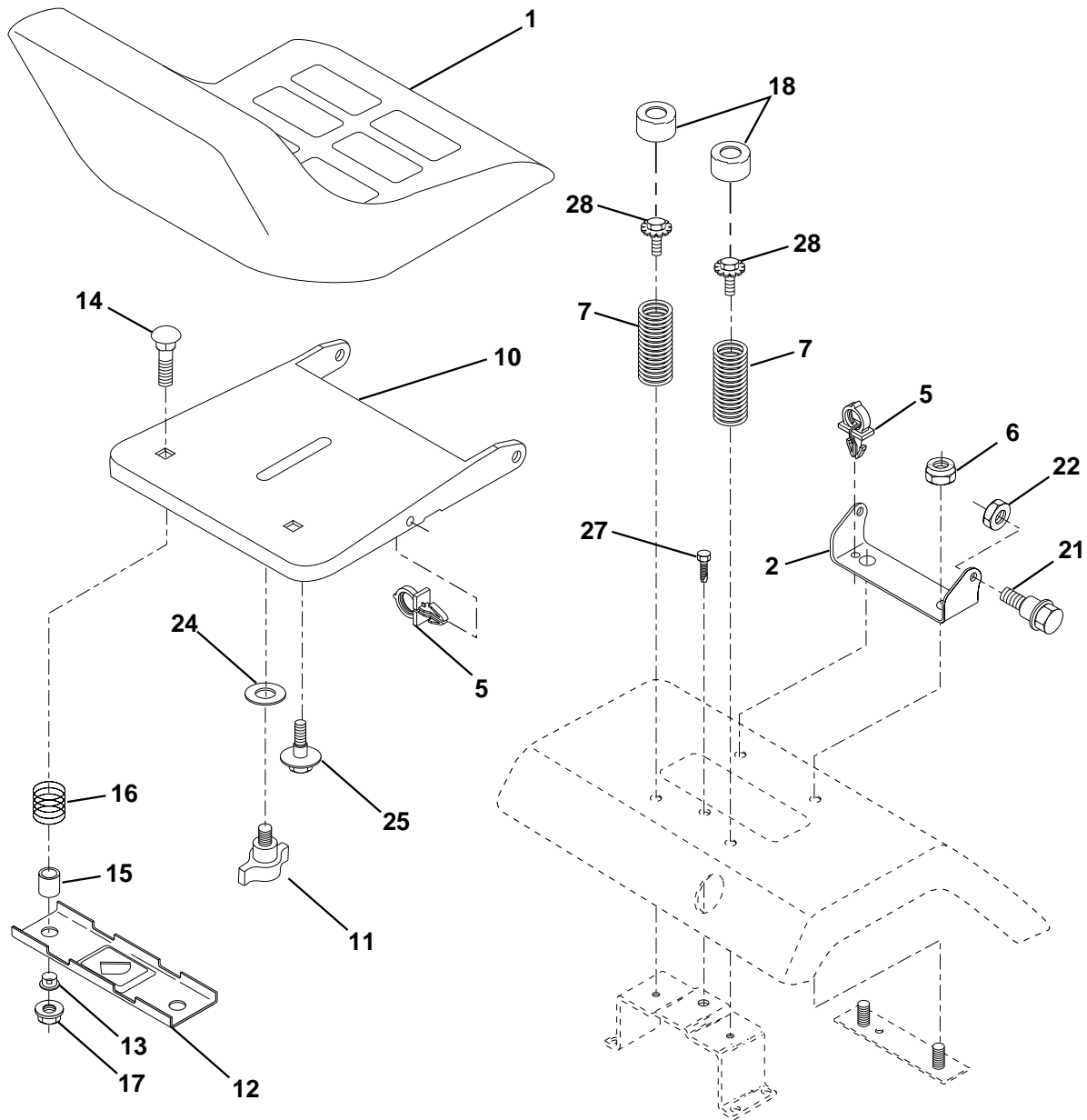
NOTE: All component dimensions given in U.S. inches.
1 inch = 25.4 mm

For Husqvarna Parts Call 606-678-9623 or 606-561-4983

REPAIR PARTS

TRACTOR - MODEL NO. GTVH205 (954140102A), PRODUCT NO. 954 14 01-02

SEAT ASSEMBLY



| KEY NO. | PART NO. | DESCRIPTION |
|---------|-----------|---------------------------------|
| 1 | 532140840 | Seat |
| 2 | 532140551 | Pivot Bracket, Seat |
| 5 | 532145006 | Clip, Push-in Hinged |
| 6 | 532171141 | Nut Crown Lock 3/8-16 Unc Blk D |
| 7 | 532124181 | Spring, Seat |
| 10 | 532155925 | Pan, Seat |
| 11 | 532166369 | Knob, Seat |
| 12 | 532121246 | Bracket, Switch Mounting |
| 13 | 532121248 | Bushing, Snap, Black, Nylon |
| 14 | 532171040 | Bolt, Carriage 1/4-20 x 1-1/2 |
| 15 | 532121249 | Spacer, Split .28 x .96 |
| 16 | 532123740 | Spring |

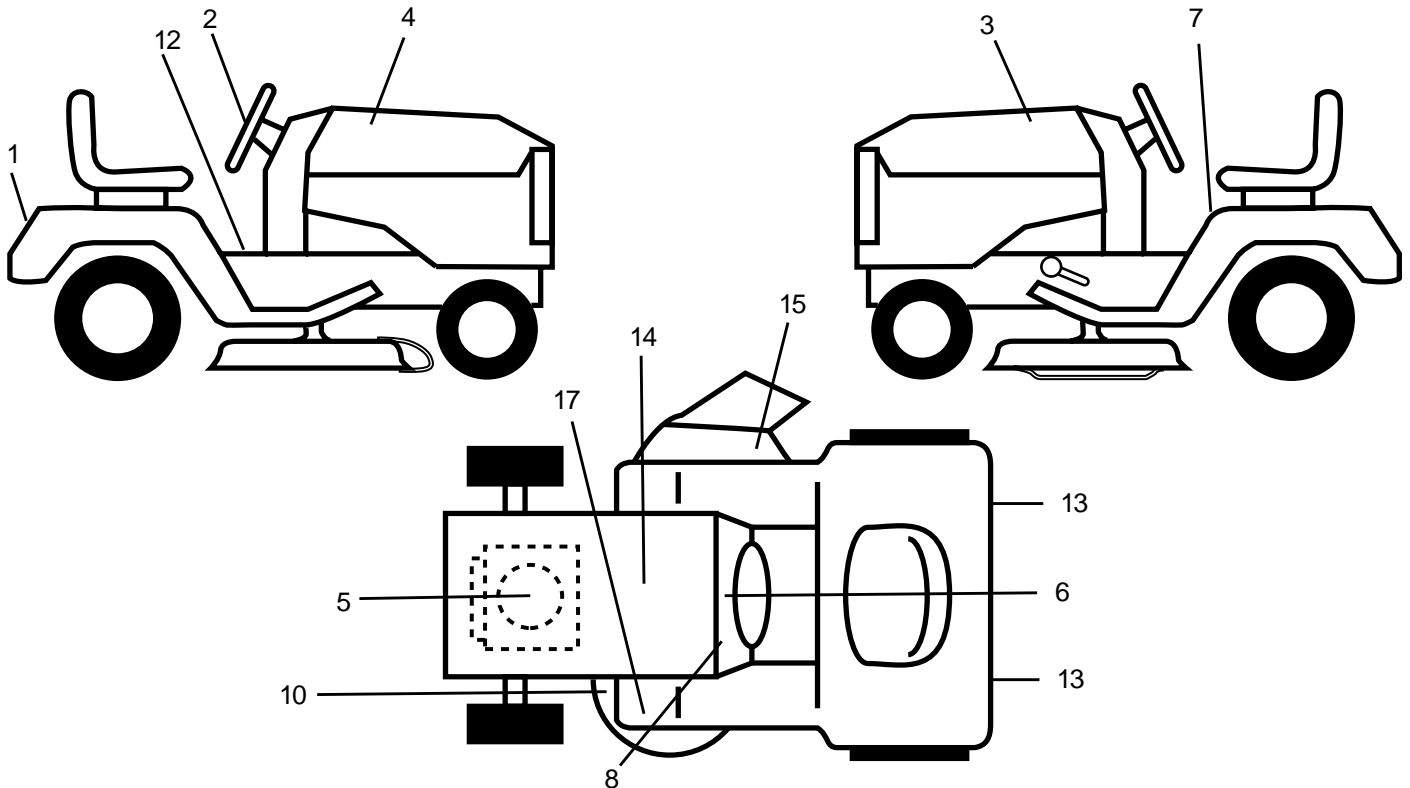
| KEY NO. | PART NO. | DESCRIPTION |
|---------|-----------|----------------------------------|
| 17 | 532171041 | Locknut, Flange 1/4 Grade 5 |
| 18 | 532124238 | Cap Spring Seat Blk 1.75 x 1.0 |
| 21 | 532171130 | Bolt, Shoulder 5/16-18 Unc -2A |
| 22 | 532171026 | Nut, Crownlock 5/16-18 |
| 24 | 532171261 | Washer 17/32 x 1-3/16 x 12 Gauge |
| 25 | 532171260 | Bolt, Shoulder 5/16-18 x .62 |
| 27 | 532171136 | Screw Thdrol 3/8-16 x 3/4 |
| 28 | 532171376 | Bolt 5/16-18 UNC x 3/4 w/Sems |

NOTE: All component dimensions given in U.S. inches
1 inch = 25.4 mm

For Husqvarna Parts Call 606-678-9623 or 606-561-4983 REPAIR PARTS

TRACTOR - MODEL NO. GTVH205 (954140102A), PRODUCT NO. 954 14 01-02

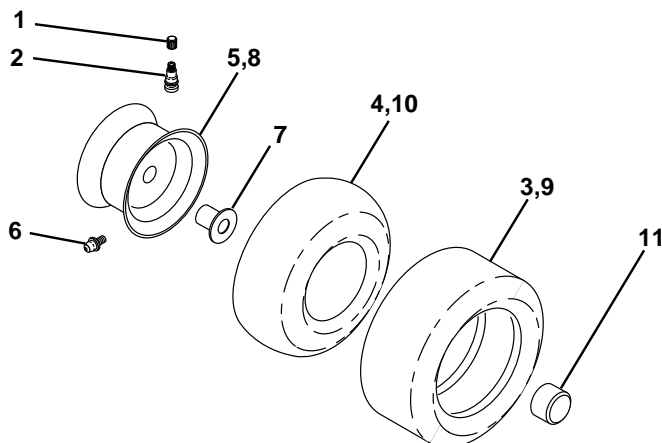
DECALS



| KEY NO. | PART NO. | DESCRIPTION |
|---------|-----------|---|
| 1 | 532150617 | Decal, Fender |
| 2 | 532170564 | Decal Wheel Steering |
| 3 | 532170941 | Decal, Hood LH |
| 4 | 532170940 | Decal, Hood RH |
| 5 | 532166105 | Decal, HP Engine |
| 6 | 532171458 | Decal Logo Dash |
| 7 | 532157140 | Decal, Danger Fender English/ French |
| 10 | 532160397 | Decal, V-Belt Sch |
| 12 | 532156993 | Decal, Saddle Oper Instr. |

| KEY NO. | PART NO. | DESCRIPTION |
|---------|-----------|---------------------------------|
| 13 | 532106202 | Reflector Taillight |
| 14 | 532145005 | Decal, Btry Dngr/Psn |
| 15 | 532137259 | Decal, Warning Multi-Language |
| 17 | 532101892 | Decal, Clutch/Brake |
| -- | 532142341 | Decal, Drawbar Cntrl Mvt |
| -- | 532171237 | Pad, Footrest |
| -- | 532138311 | Decal, Handle Lft Height Adjust |
| -- | 532171325 | Manual, Owner's (English) |
| -- | 532171326 | Manual, Owner's (French) |

WHEELS & TIRES



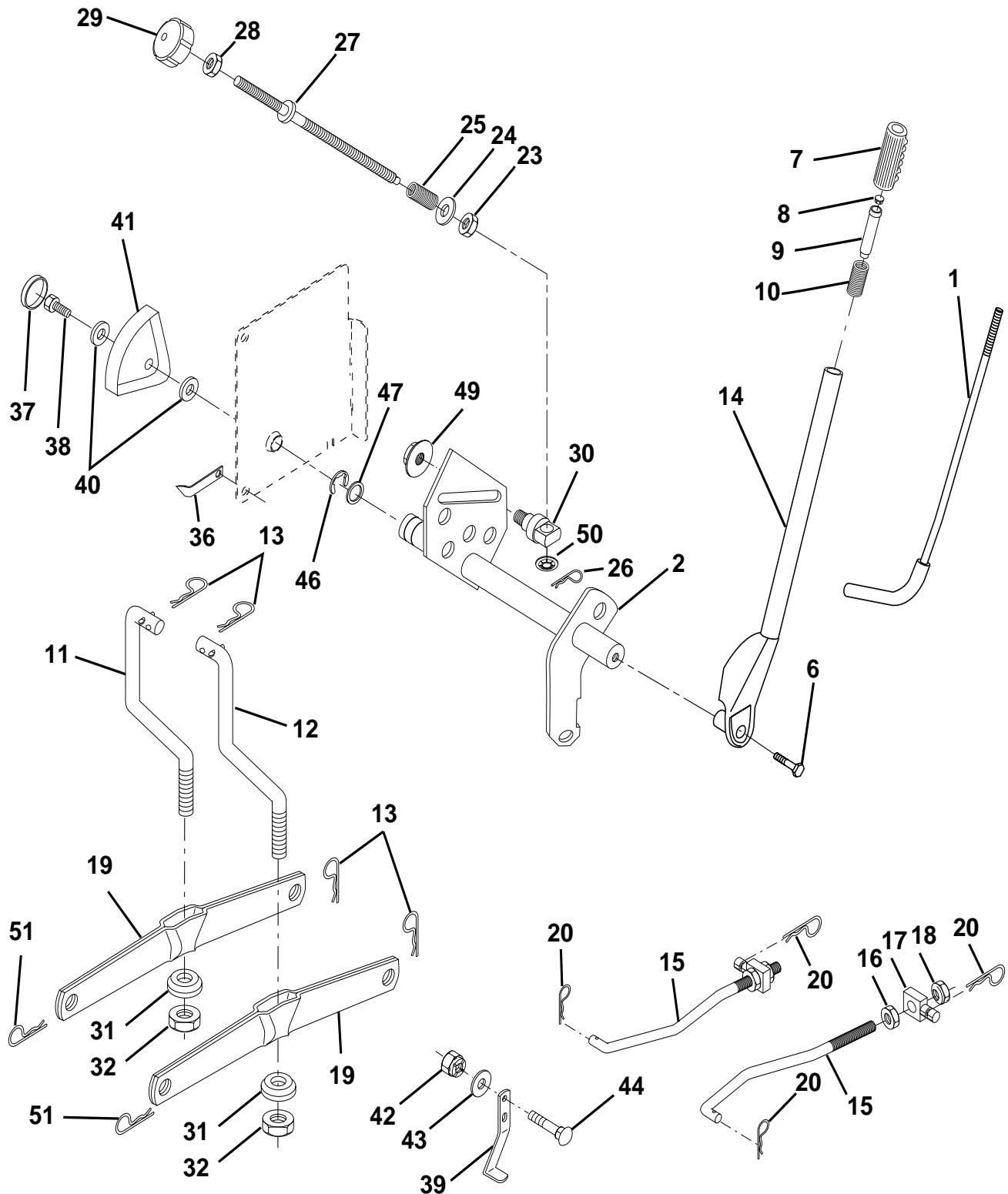
| KEY NO. | PART NO. | DESCRIPTION |
|---------|-----------|-----------------------------------|
| 1 | 532059192 | Cap Valve Tire |
| 2 | 532065139 | Stem Valve |
| 3 | 532106222 | Tire F |
| 4 | 532059904 | Tube Front (Service Item Only) |
| 5 | 532138336 | Rim Asm 6" front |
| 6 | 532124957 | Fitting Grease (Front Wheel Only) |
| 7 | 532124959 | Bearing Flange (Front Wheel Only) |
| 8 | 532164127 | Rim Asm 12" rear |
| 9 | 532124106 | Tire Rear |
| 10 | 532007154 | Tube Rear (Service Item Only) |
| 11 | 532104757 | Cap Axle Blk 1 50 X 1 00 |
| -- | 532144334 | Sealant, Tire (1 Doz. Tube) |

NOTE: All component dimensions given in U.S. inches
1 inch = 25.4 mm

For Husqvarna Parts Call 606-678-9623 or 606-561-4983 REPAIR PARTS

TRACTOR - MODEL NO. GTVH205 (954140102A), PRODUCT NO. 954 14 01-02

MOWER LIFT



For Husqvarna Parts Call 606-678-9623 or 606-561-4983

REPAIR PARTS

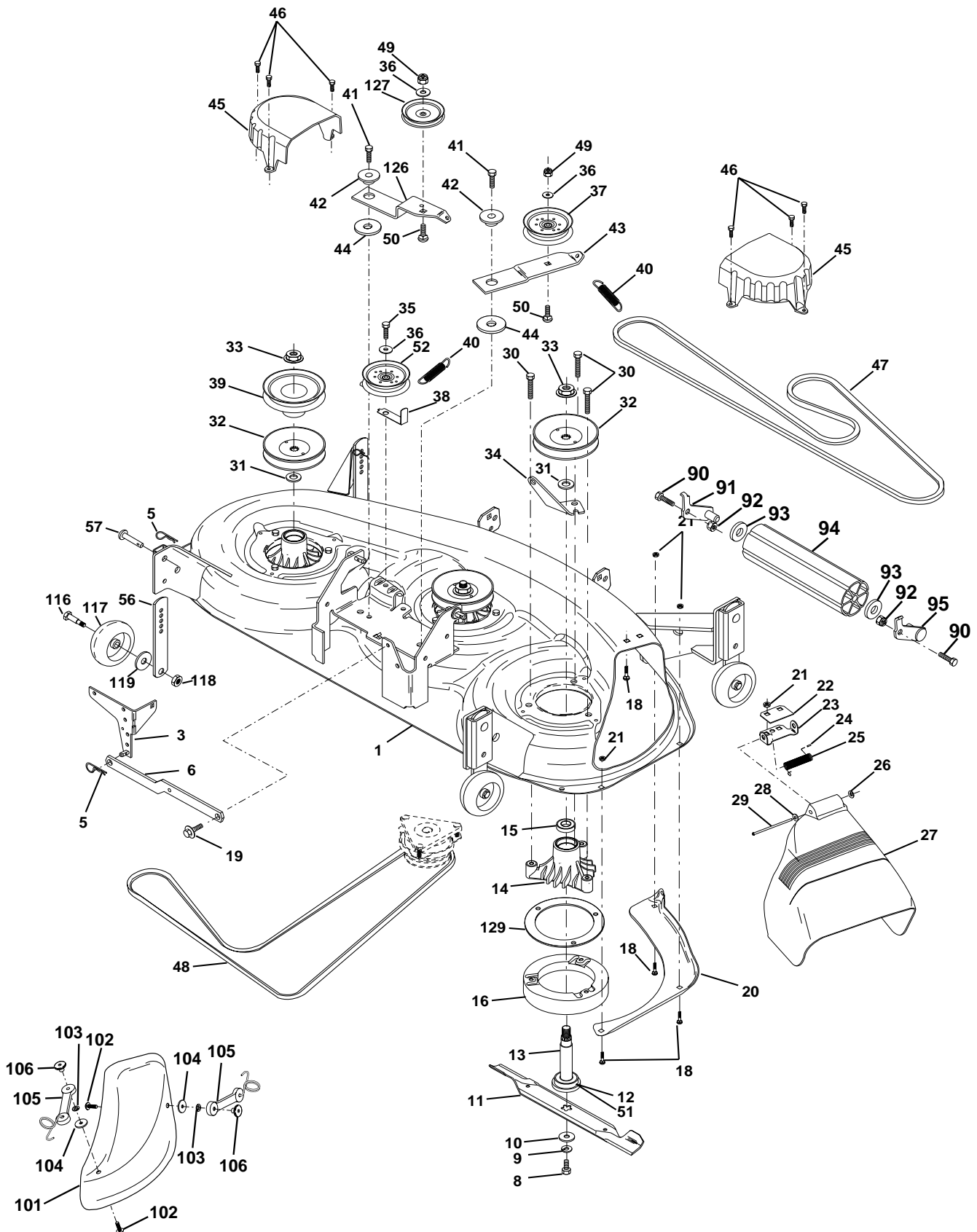
TRACTOR - MODEL NO. GTVH205 (954140102A), PRODUCT NO. 954 14 01-02
MOWER LIFT

| KEY NO. | PART NO. | DESCRIPTION |
|---------|-----------|-------------------------------------|
| 1 | 532121006 | Rod Assembly, Lever |
| 2 | 532159188 | Shaft Assembly, Lift |
| 6 | 532171362 | Bolt, Hex Head, Fin. 3/8-16 x 1-1/2 |
| 7 | 532125631 | Grip Handle |
| 8 | 532124526 | Button Plunger Black |
| 9 | 532122364 | Plunger Lever Lift |
| 10 | 532124874 | Spring |
| 11 | 532145537 | Link, Lift, LH |
| 12 | 532145536 | Link, Lift, RH |
| 13 | 532124670 | Retainer Spring |
| 14 | 532159189 | Lever Assembly, Lift, RH |
| 15 | 532167253 | Link, Front |
| 16 | 532171262 | Nut, Hex, Jam 1/2-13 UNC |
| 17 | 532130171 | Trunnion |
| 18 | 532171263 | Nut Crownlock 1/2-13 Unc |
| 19 | 532139868 | Arm, Suspension, Rear |
| 20 | 532171212 | Retainer Spring |
| 23 | 532110807 | Nut, Special |
| 24 | 532171207 | Washer 13/32 x 5/8 x 16 Gauge |
| 25 | 532124874 | Spring |
| 26 | 532171208 | Retainer Clip |
| 27 | 532171206 | Adjustment Rod, Lift |
| 28 | 532171163 | Nut, Hex, Jam 3/8-16 UNC |
| 29 | 532138057 | Knob, Infinite Height Adjustment |
| 30 | 532171203 | Trunnion, Inf. Height |
| 31 | 532140302 | Bearing |
| 32 | 873540600 | Nut, Crownlock 3/8-24 |
| 36 | 532155097 | Pointer Height Indicator |
| 37 | 532123935 | Plug Hole Blk 1.485/1.515 Dia. |
| 38 | 532171210 | Screw 5/16-18 x 1 Smgml Tap/R |
| 39 | 532142992 | Stop Over Center |
| 40 | 532171209 | Washer 11/32 x 1-1/2 10 Ga. |
| 41 | 532123934 | Scale Ind. Height Blk. |
| 42 | 532171168 | Nut, Crownlock 3/8-16 UNC |
| 43 | 532171558 | Washer 13/32 x 1 x 12 Ga. |
| 44 | 532171557 | Bolt, Carriage 3/8-16 x 1.00 |
| 46 | 812000022 | E-Ring |
| 47 | 532171182 | Washer |
| 49 | 532171178 | Nut Hex Flange Lock |
| 50 | 532110452 | Nut Push Phos & Oil |
| 51 | 532171211 | Retainer Spring |

NOTE: All component dimensions given in U.S. inches
1 inch = 25.4 mm

For Husqvarna Parts Call 606-678-9623 or 606-561-4983 REPAIR PARTS

TRACTOR - MODEL NO. GTVH205 (954140102A), PRODUCT NO. 954 14 01-02
MOWER DECK



For Husqvarna Parts Call 606-678-9623 or 606-561-4983

REPAIR PARTS

TRACTOR - MODEL NO. GTVH205 (954140102A), PRODUCT NO. 954 14 01-02
MOWER DECK

| KEY NO. | PART NO. | DESCRIPTION | KEY NO. | PART NO. | DESCRIPTION |
|---------|-----------|---|---------|-----------|---|
| 1 | 532164212 | Deck Asm., Mower 46" | 42 | 532165723 | Spacer, Retainer, Mower |
| 3 | 532138457 | Bracket Asm., Sway Bar | 43 | 532144949 | Arm, Idler Secondary |
| 5 | 532171211 | Retainer Spring | 44 | 532133943 | Washer, Hardened |
| 6 | 532130832 | Arm, Suspension, Rear (Sway Bar) | 45 | 532145059 | Cover, Mandrel Deck |
| 8 | 532850857 | Bolt, Patched 3/8-24 x 1-1/4 Gr. 8 | 46 | 532171253 | Screw, Thdroll. 1/4-20 x 5/8 |
| 9 | 532171241 | Washer, Lock Hvy., Unplated 3/8 | 47 | 532144959 | V-Belt, Mower, Secondary |
| 10 | 532140296 | Washer, Hard Blade, Mower Vented | 48 | 532148763 | V-Belt, Mower, Primary |
| 11 | 532170698 | Blade, High Performance | 49 | 532171168 | Nut, Crownlock 3/8-16 UNC |
| | 532152443 | Blade, Mulching | 50 | 532171180 | Bolt, Carriage 3/8-16 x 1-1/2 Gr. 5 |
| 12 | 532129895 | Bearing, Ball, Mandrel #6204 | 51 | 532153390 | Washer Felt |
| 13 | 532137553 | Shaft Asm. w/Lower Bearing (Includes Key No. 12) | 52 | 532156493 | Pulley Idler 46 Pri Drive 97 |
| 14 | 532137152 | Housing, Mandrel | 56 | 532155986 | Bar Adjusting Gauge Wheel |
| 15 | 532110485 | Bearing, Ball, Mandrel | 57 | 532171386 | Pin Head Rivet |
| 16 | 532140329 | Stripper, Mower Round | 72 | 532171569 | Washer 13/32 x 1 x 16 Ga. |
| 18 | 532171380 | Bolt, Carriage 5/16-18 x 5/8 | 90 | 532171375 | Bolt, Fin Hex 3/8-16 UNC x 1 |
| 19 | 532171252 | Bolt, Hex Head, Shoulder 5/16-18 | 91 | 532132274 | Bracket Asm. Noseroller, Lh |
| 20 | 532145055 | Baffle, Vortex Mower 46" | 92 | 532171141 | Nut Crownlock 3/8-16 Unc Blk D |
| 21 | 532171248 | Nut, Crownlock 5/16-18 UNC | 93 | 532171389 | Washer 17/32 x 7/8 x 16 Ga. |
| 22 | 532134753 | Stiffener, Bracket | 94 | 532132264 | Roller Nose 38 & 42 |
| 23 | 532131267 | Bracket, Deflector | 95 | 532132273 | Bracket Asm. Noseroller, Rh |
| 24 | 532105304 | Cap, Sleeve | 101 | 532145579 | Cover Mulcher |
| 25 | 532149287 | Spring, Torsion, Deflector | 102 | 871161010 | Screw Truss Hd Phil 10-24 x 5/8 |
| 26 | 532110452 | Nut, Push | 103 | 810071000 | Washer Lock #10 |
| 27 | 532171384 | Deflector Clipping 46" Grey | 104 | 532125004 | Nut Weld |
| 28 | 532171222 | Washer 11/32 x 5/8 x 16 Ga. | 105 | 819061216 | Washer #10 |
| 29 | 532171385 | Rod, Hinge | 106 | 532160793 | Latch Asm Mulch/Bagger |
| 30 | 532171244 | Screw, Thdroll Washer Head | 116 | 532171387 | Bolt, Shoulder |
| 31 | 532171245 | Washer, Spacer Mower Vented | 117 | 532133957 | Gauge Wheel |
| 32 | 532153531 | Pulley, Mandrel | 118 | 532171255 | Nut, Centerlock 3/8-16 UNC |
| 33 | 532171246 | Nut, Flg. Top Lock Cntr. 9/16 | 119 | 532171256 | Washer 3/8 x 7/8 x 14 Ga. |
| 34 | 532144945 | Anchor, Spring Deck 46" | 126 | 532144948 | Arm, Idler, Primary Deck 46" |
| 35 | 532171382 | Screw thdroll 3/8-16 x 1-3/4 Tytt | 127 | 532146763 | Pulley, Idler, V-Groove Dim. 4.25 |
| 36 | 532171140 | Washer 13/32 x 13/16 x 16 Ga. | 129 | 532159183 | Reinforcement Mandrell Ring |
| 37 | 532131494 | Pulley, Idler, Flat | -- | 532143651 | Mandrel Asm 44"/46"/50" Service |
| 38 | 532156086 | Keeper, Belt, Idler | -- | 532177107 | Deck Complete (Std. Deck-Order separately nose roller and gauge wheel components Key Nos. 90-95 and 116-118) |
| 39 | 532144917 | Pulley, Idler, Driven | | | |
| 40 | 532137273 | Spring, Secondary 44/46/50 Vent | | | |
| 41 | 532171173 | Screw, 3/8-16 x 1-1/4 Smgml Tap/R | | | |

NOTE: All component dimensions given in U.S. inches
1 inch = 25.4 mm