

For Husqvarna Parts Call 606-678-9623 or 606-561-4983

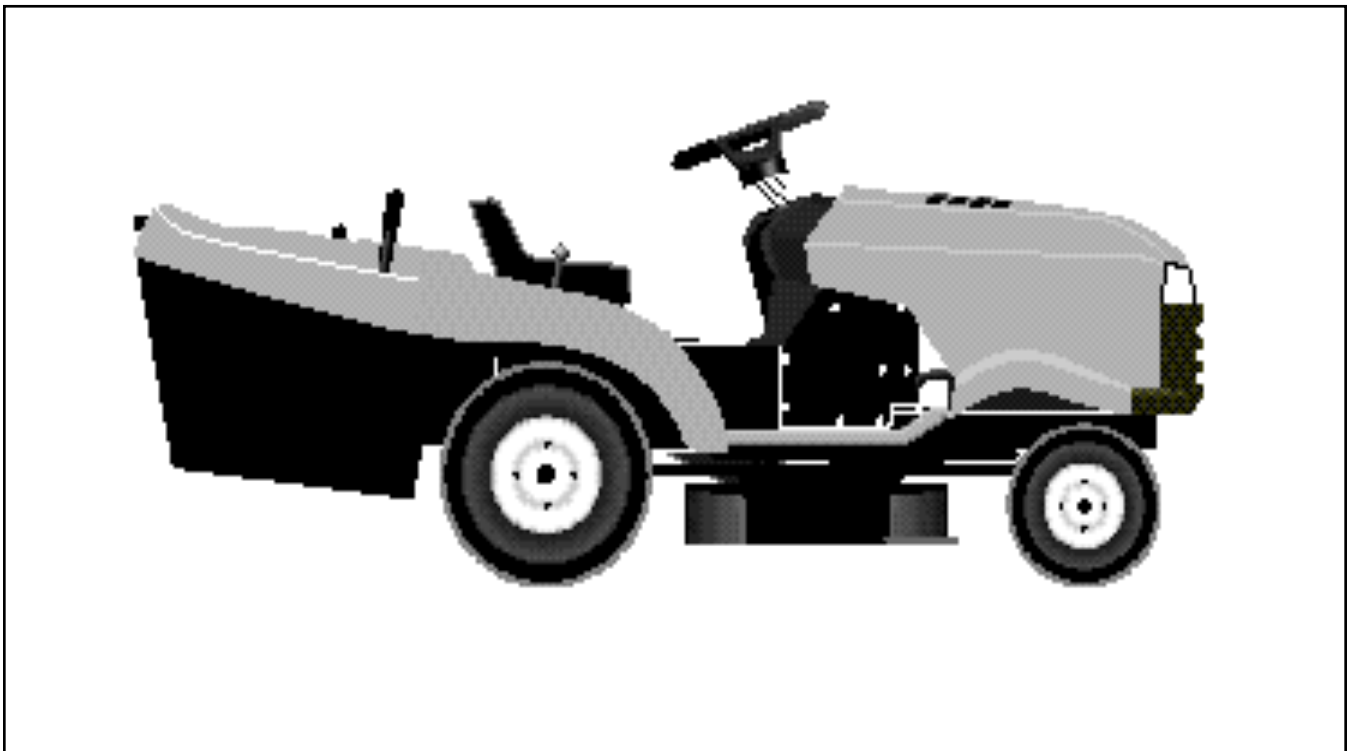


Illustrated Parts
List

1999-10

I9902041

CTH 150

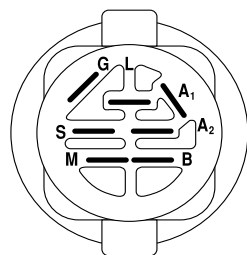
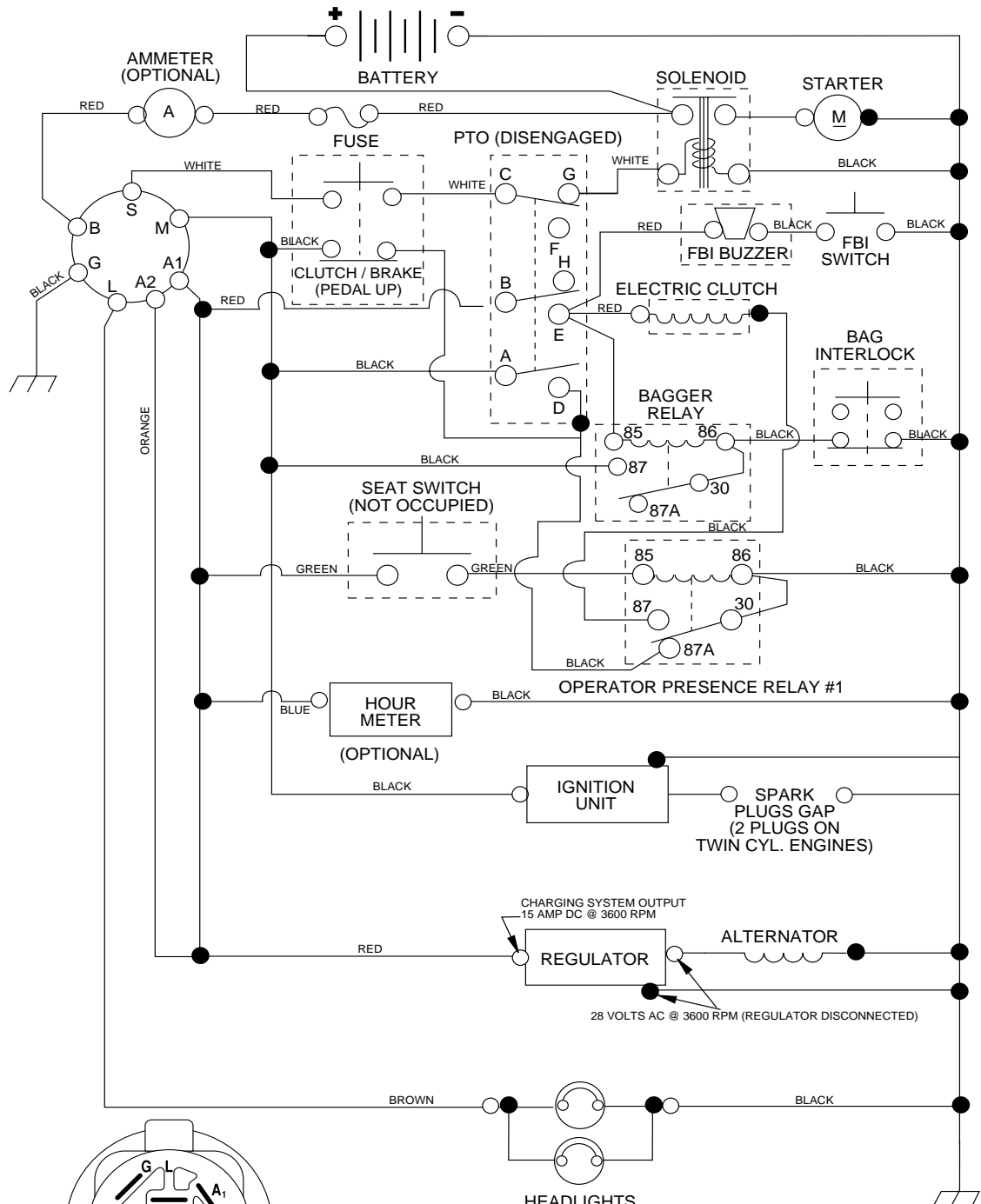


954140101A

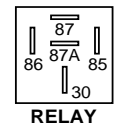
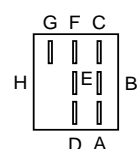
For Husqvarna Parts Call 606-678-9623 or 606-561-4983

TRACTOR - - MODEL NO. CTH150 (954140101A), PRODUCT NO. 954 14 01-01

SCHEMATIC



| POSITION | CIRCUIT | "MAKE" |
|-----------|------------|--------|
| OFF | M+G+A1 | NONE |
| RUN/LIGHT | B+A1 | A2+L |
| RUN | B+A1 | NONE |
| START | B + S + A1 | NONE |

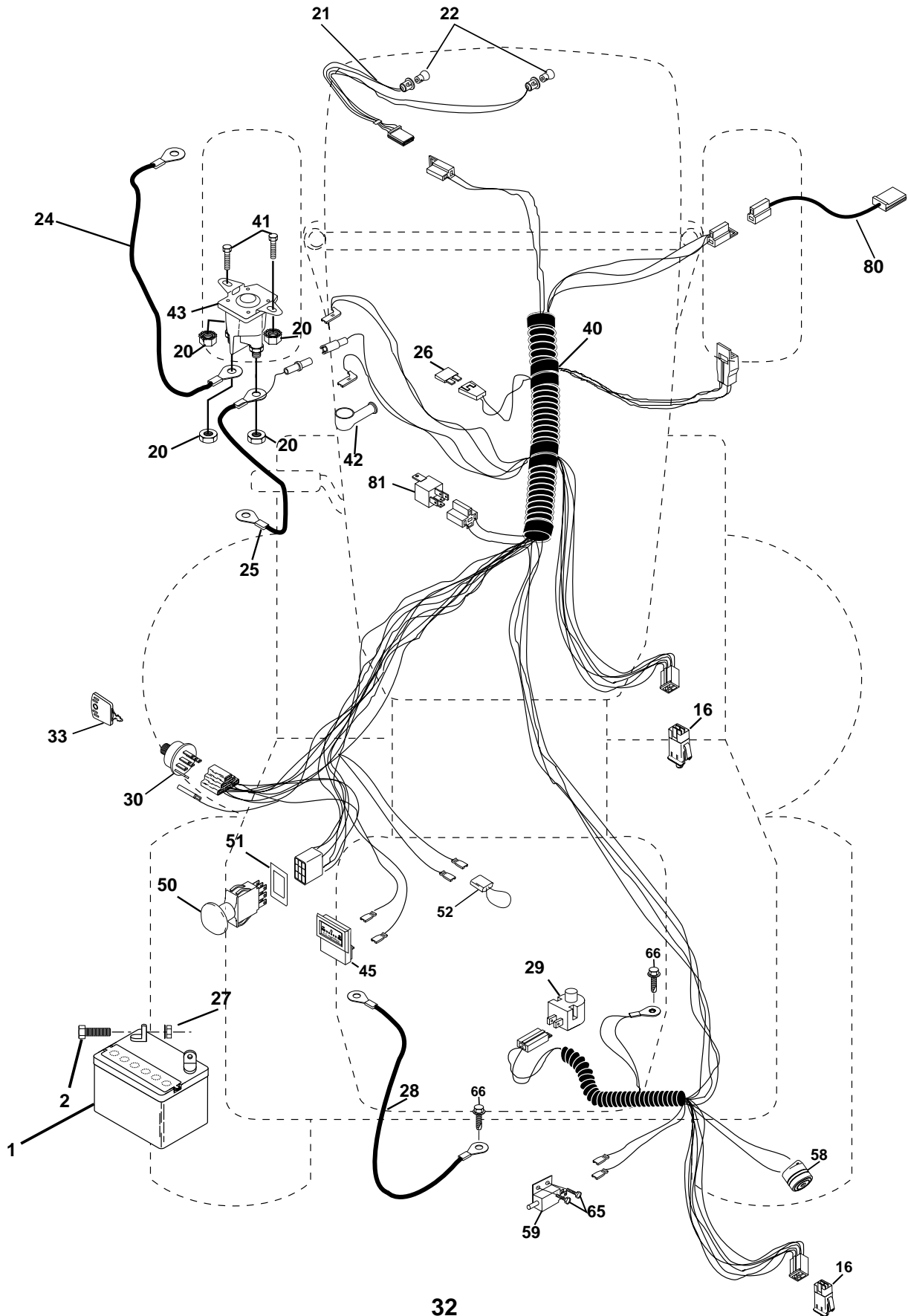


| PTO SWITCH | |
|------------|---------------------|
| POSITION | CIRCUIT |
| OFF | C + G, B + H |
| ON | C + F, B + E, A + D |

WIRING INSULATED CLIPS
NOTE: IF WIRING INSULATED CLIPS WERE REMOVED FOR SERVICING OF UNIT, THEY SHOULD BE REPLACED TO PROPERLY SECURE YOUR WIRING.



For Husqvarna Parts Call 606-678-9623 or 606-561-4983
REPAIR PARTS
TRACTOR - - MODEL NO. CTH150 (954140101A), PRODUCT NO. 954 14 01-01
ELECTRICAL



For Husqvarna Parts Call 606-678-9623 or 606-561-4983

REPAIR PARTS

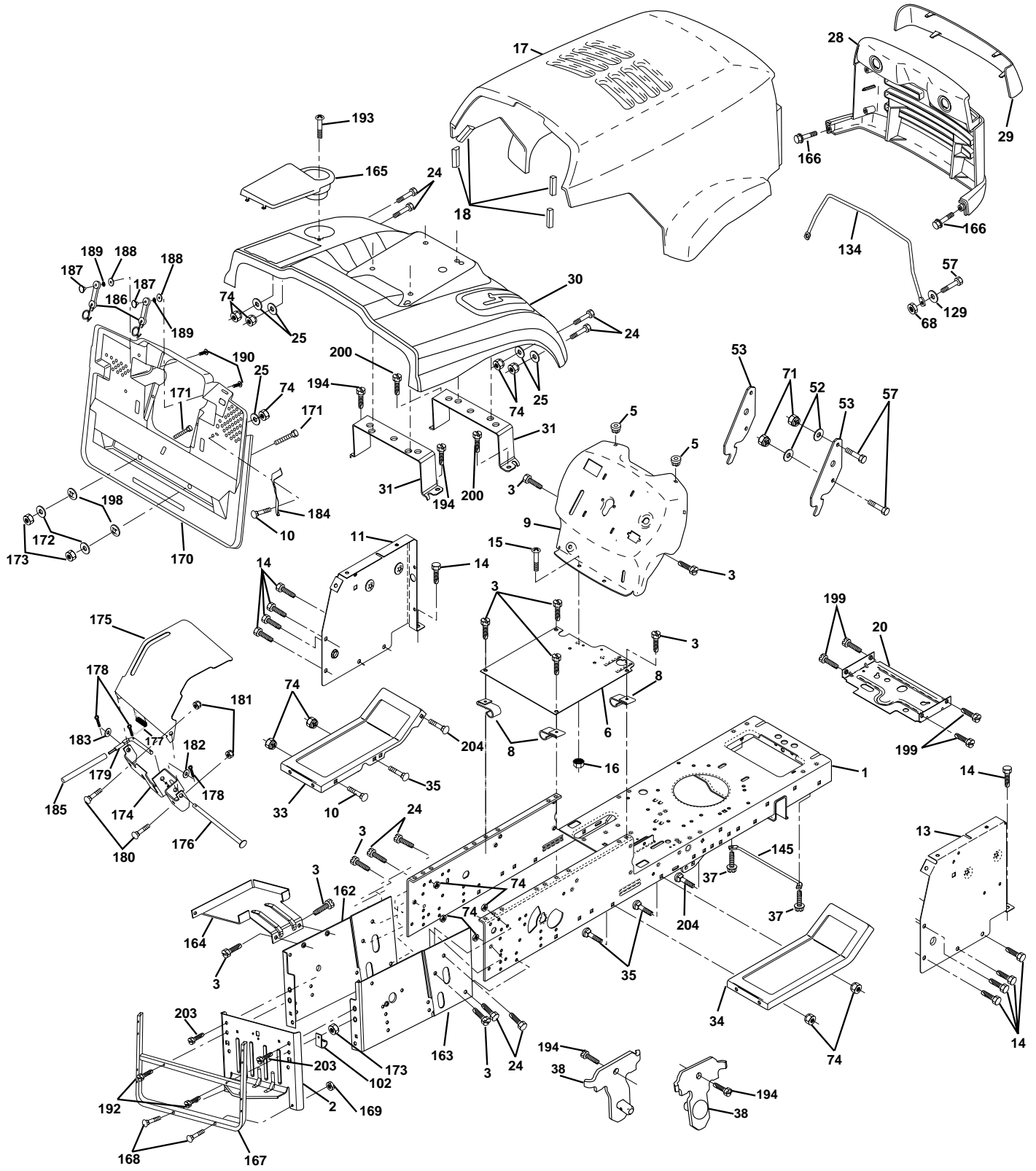
TRACTOR - - MODEL NO. CTH150 (954140101A), PRODUCT NO. 954 14 01-01

ELECTRICAL

| KEY NO. | PART NO. | DESCRIPTION |
|---------|-----------|-----------------------------------|
| 1 | 532144925 | Battery 12 Volt 25 Amp |
| 2 | 532171017 | Bolt Hex Hd 1/4-20unc X 3/4 |
| 16 | 532153664 | Switch Interlock |
| 21 | 532166181 | Harness Asm Light W/4152J |
| 22 | 532004152 | Bulb Light #1156 |
| 24 | 532124780 | Cable Starter 6 Ga 11" Red |
| 25 | 532165987 | Cable Battery CRD 56" Red |
| 26 | 532166180 | Fuse 15 Amp |
| 27 | 532171018 | Nut Keps Hex 1/4-20 Unc |
| 28 | 532127725 | Cable Ground |
| 29 | 532160784 | Switch Plunger OP Olive |
| 30 | 532163968 | Switch Ign |
| 33 | 532140401 | Key Ign |
| 40 | 532170214 | Harness Ign |
| 41 | 532171197 | Bolt Blk Fin Hex 1/4-20 Unc x 1/2 |
| 42 | 532131563 | Cover Terminal Red |
| 43 | 532145673 | Solenoid |
| 45 | 532122822 | Ammeter Rectangular 15 Amp |
| 50 | 532169417 | Switch PTO 3PDT Blk Delta |
| 51 | 532140405 | Ring Retainer PTO |
| 52 | 532141940 | Protection Wire Loop |
| 58 | 532169419 | Buzzer CRD |
| 59 | 532166299 | Switch FBI CRD |
| 65 | 532171152 | Screw Sifts #10-16 x 1/2 |
| 66 | 532171199 | Screw Thdrol 3/8-16 x 1/2 |
| 80 | 532146685 | Harness Clutch Evx |
| 81 | 532109748 | Relay Asm. |

NOTE: All component dimensions give in U.S. inches
1 inch = 25.4 mm.

For Husqvarna Parts Call 606-678-9623 or 606-561-4983
REPAIR PARTS
TRACTOR - - MODEL NO. CTH150 (954140101A), PRODUCT NO. 954 14 01-01
CHASSIS AND ENCLOSURES



For Husqvarna Parts Call 606-678-9623 or 606-561-4983

REPAIR PARTS

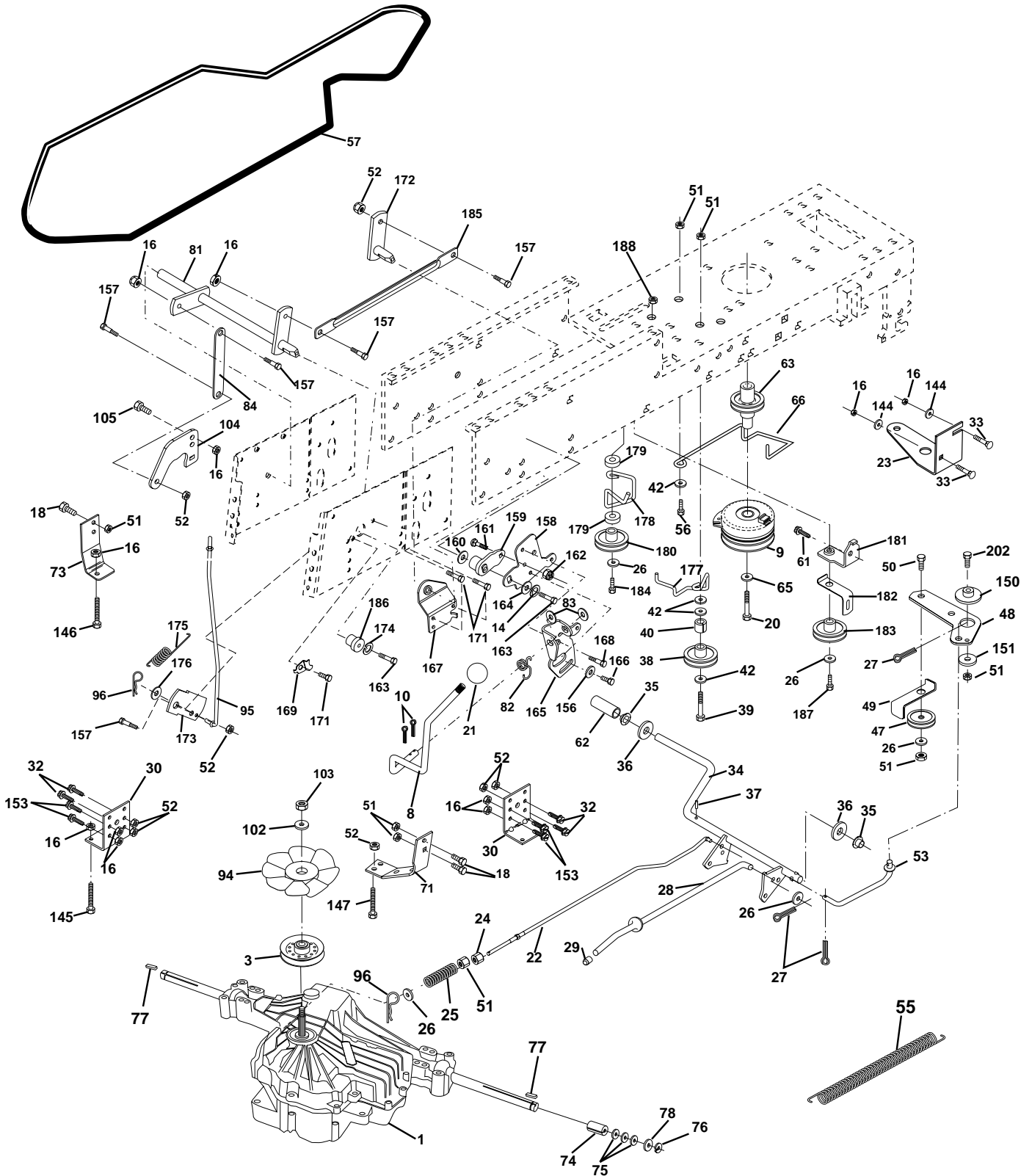
TRACTOR - - MODEL NO. CTH150 (954140101A), PRODUCT NO. 954 14 01-01
CHASSIS AND ENCLOSURES

| KEY PART NO. NO. | DESCRIPTION | KEY PART NO. NO. | DESCRIPTION |
|------------------|--|------------------|---|
| 1 | 532169831 Chassis Stamping | 163 | 532165673 Bracket Exten Chassis Rh |
| 2 | 532165606 Drawbar, CRD | 164 | 532165605 Support Battery CRD |
| 3 | 532171154 Screw 3/8-16x3/4 | 165 | 532167979 Cover Battery CRD Lt Grey |
| 5 | 532155272 Bumper Hood/Dash | 166 | 532171223 Screw Hwhd Hi-Lo #13-16 x 3/4 |
| 6 | 532155923 Saddle Flat Lt Fender Shift | 167 | 532165779 Support Asm Backplate Wldmnt |
| 8 | 532126471 Clip Insulator 13/32 Mtg Hole | 168 | 532171040 Bolt Rdhd Sht NK 1/4-20 x 1-1/2 |
| 9 | 532171369 Dash P/LM Slkscr Elec W/Am Sym | 169 | 532171041 Nut lock 1/4 Lge Flg Gr 5 Zinc |
| 10 | 532171150 Bolt Carriage 3/8-16 x 1 | 170 | 532165607 Cover Backplate Plastic Black |
| 11 | 532155927 Panel Dash Lh | 171 | 532171273 Bolt Hex 3/8-16 x 2-1/2 |
| 13 | 532169118 Panel Dash Rh | 172 | 532171274 Washer 13/32 x 1-1/4 x 16 Ga |
| 14 | 532171136 Screw Thdrol 3/8-16 x 1/2 | 173 | 532171144 Nut Keps Hex 3/8-16 Unc |
| 15 | 532171194 Screw Mach Trhd 5/16-18 Unc x 3/4 | 174 | 532165939 Bracket Switch FBI CRD |
| 16 | 532171195 Nut Keps 5/16-18 Unc | 175 | 532166212 Guard Door Rear CRD |
| 17 | 532165378 Hood Pnt | 176 | 532128600 Pin Hinge Pivot |
| 18 | 532126938 Bumper Hood | 177 | 532132796 Spring Bagger Top Lh Black |
| 20 | 532156437 Plate Mtg Battery/Fuel Tank Fr | 178 | 532171137 Pin Cotter 3/32 x 3/4 Cad |
| 24 | 532171031 Bolt Fin Hex 3/8-16 Unc x 1 Gr 5 | 179 | 532165942 Rod Pivot FBI CRD |
| 25 | 532171151 Washer 13/32 X 13/16 X 12 Ga | 180 | 532171354 Bolt Hex Hd 5/16-18 Unc x 1 |
| 28 | 532165379 Grille | 181 | 532171248 Nut Crownlock 5/16-18 |
| 29 | 532165380 Lens | 182 | 532171139 Washer .385 x .625 x 11 Ga |
| 30 | 532167978 Fender Auto CRD | 183 | 532171140 Washer 13/32 x 13/16 x 16 Ga |
| 31 | 532165156 Bracket Support Fender | 184 | 532166139 Bracket Actuator Bagger CRD |
| 33 | 532147203 Footrest Pnt Lh | 185 | 532165940 Tube Lever Swch FBI CRD 2-1/16 |
| 34 | 532147202 Footrest Pnt Rh | 186 | 532160793 Latch Asm Mulch/Bagger |
| 35 | 532171272 Bolt Rdhd Sht Sqnk 3/8-16 x 3/4 | 187 | 532171146 Nut Weld .327/.304 #10-24 |
| 37 | 532171169 Screw Thdrol 6/16-18 x 1/2 TYT | 188 | 532171147 Washer #10 |
| 38 | 532169834 Bracket Asm Pivot Mower Rear | 189 | 532171148 Washer Lock #10 |
| 52 | 532171224 Washer 9/32 x 7/8 x 16 Ga | 190 | 532171149 Screw Truss Hd Phil 10-24 x 5/8 |
| 53 | 532150067 Bracket Pick Off Lt/PL Husq | 192 | 532171143 Screw Thdrol 3/8-16 x 1-1/2 |
| 57 | 532171226 Bolt Fin Hex 1/4-20 Unc x .75 | 193 | 532171390 Screw Truss 1/4-20 x 3/4 Tap/R |
| 68 | 532171018 Nut Keps Hex 1/4-20 Unc Yel D | 194 | 532171167 Screw 3/8-16 x .75 |
| 71 | 532171227 Nut Crown Lock 1/4-20 Unc Blk D | 198 | 532168937 Nut Push |
| 74 | 532171141 Nut Crown Lock 3/8-16 Unc Blk D | 199 | 532171196 Screw Thdrol 5/16-18 x 1/2 Tytt |
| 102 | 532124996 Clip Line Fuel 13/32 Mtg Hole | 200 | 532171229 Screw 3/8-16 x .75 |
| 129 | 532171225 Washer 9/32 x 5/8 x 16 Ga. | 203 | 532171351 Screw Thdrol 3/8-16 x 3/4 TYTT |
| 134 | 532160219 Rod Support Hood Husq P/L | 204 | 532171377 Screw Thdrol 3/8-16 x 3/4 TYTT |
| 145 | 532156524 Rod Pivot Chassis/Hood | | |
| 162 | 532165672 Bracket Exten Chassis Lh | | |

NOTE: All component dimensions given in U.S. inches
1 inch = 25.4 mm

For Husqvarna Parts Call 606-678-9623 or 606-561-4983 REPAIR PARTS

TRACTOR - - MODEL NO. CTH150 (954140101A), PRODUCT NO. 954 14 01-01
DRIVE



For Husqvarna Parts Call 606-678-9623 or 606-561-4983

REPAIR PARTS

TRACTOR - - MODEL NO. CTH150 (954140101A), PRODUCT NO. 954 14 01-01

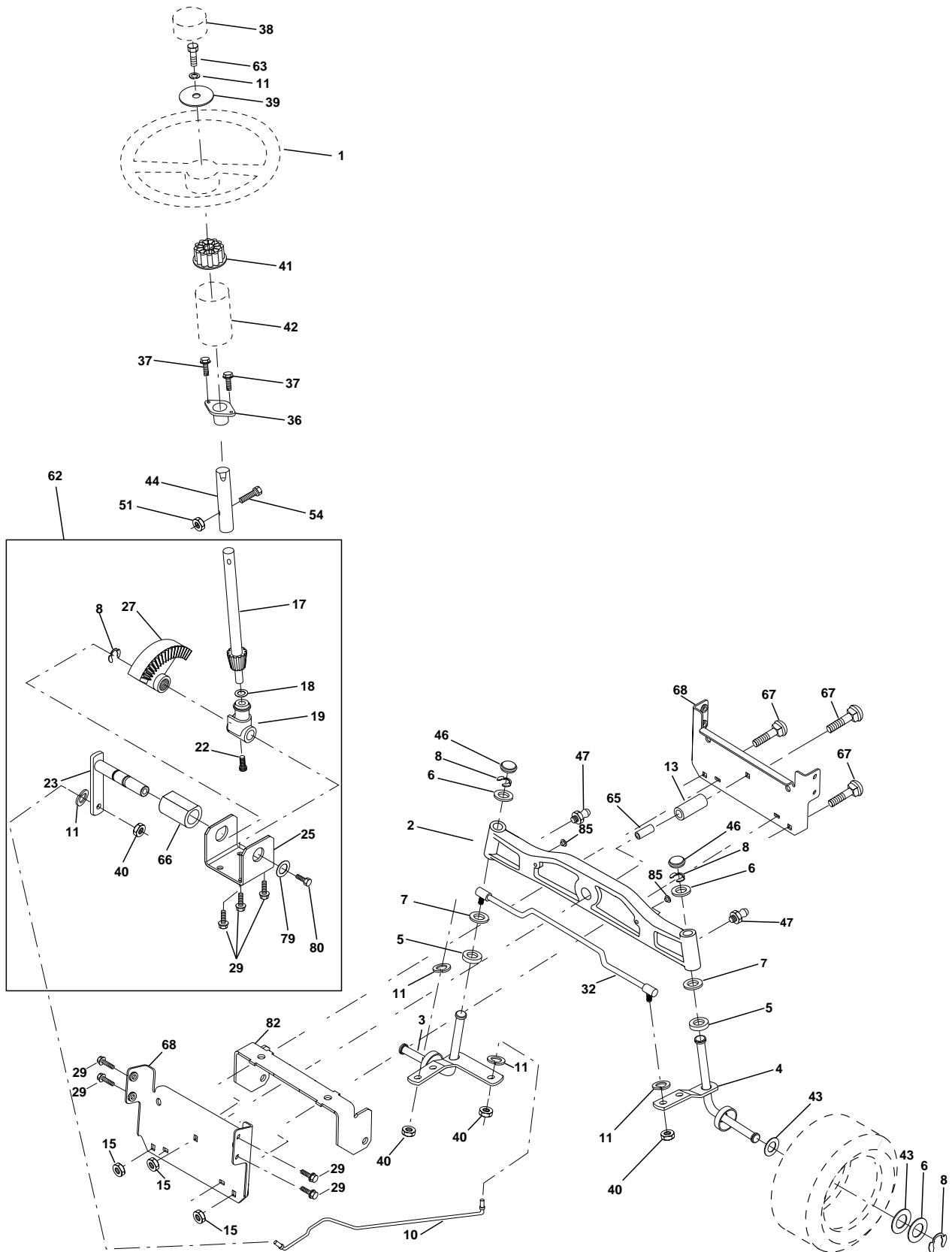
DRIVE

| KEY PART NO. | NO. | DESCRIPTION | KEY PART NO. | NO. | DESCRIPTION |
|--------------|-----------|-----------------------------------|--------------|-----------|---|
| 1 | ----- | Transaxle (See Breakdown) | 84 | 532165629 | Link Transaxle |
| | | Hydro Gear Model 331-0650 | 94 | 532140462 | Fan, Hydro 7" |
| 3 | 532143995 | Pulley, Transaxle | 95 | 532171158 | Rod Bypass CRD |
| 8 | 532165619 | Rod Shift Fender AdjustEvx 80lb | 96 | 532171160 | Retainer Spring 1" Zinc/Cad |
| 9 | 532169992 | Clutch Elect | 102 | 532171127 | Washer Belleville .501D x 1.50D |
| 10 | 532171231 | Pin Cotter 1/8 x 1 CAD | 103 | 532171128 | Nut, Hex, Jam Toplock 1/2-20 UNF |
| 14 | 532171185 | Washer Lock Hvy Helical | 104 | 532140156 | Arm, Control Hydro |
| 18 | 532171356 | Bolt Fin Hex 3/8-16 Unc x 1 Gr. 5 | 105 | 532171131 | Screw Cap Hex 5/16 x 18 x 1 |
| 20 | 532150280 | Bolt, Hex 7/16-20 x 4-1/4 | 144 | 532171222 | Washer 11/32 x 5/8 x 16 Ga. |
| 21 | 532121274 | Knob, Duckhead 1/2-13 | 145 | 532171153 | Bolt Hex Flghd 5/16-18 Gr.5 |
| 22 | 532171161 | Rod, Brake Hydro | 146 | 532171157 | Bolt Hex Flghd 5/16-18 x 2-1/4 |
| 23 | 532170171 | Bracket Asm Clutch | 147 | 532171155 | Bolt Hex Flghd 5/16-18 x 1-1/2 |
| 24 | 532171163 | Nut Hex Jam 3/8-16 | 150 | 532165850 | Bushing Bellcrank |
| 25 | 532171164 | Spring, Brake Rod | 151 | 532171179 | Washer 13/32 x 2 x 10 Ga. |
| 26 | 532171140 | Washer 13/32 x 13/16 x 16 Ga. | 153 | 532171138 | Bolt Hex Hd 5/16-18 UNC x 1 |
| 27 | 532171165 | Pin Cotter 1/8 x 3/4 CAD. | 156 | 532166002 | Washer Srrted 5/161D x 1.125 |
| 28 | 532171166 | Rod, Parking Brake | 157 | 532171130 | Bolt Shoulder 5/16-18 Unc - 2A |
| 29 | 532071673 | Cap, Parking Brake | 158 | 532165589 | Bracket Shift Mount |
| 30 | 532130807 | Bracket, Transaxle | 159 | 532165494 | Hub Tapered Flange Shift Lt |
| 33 | 532171221 | Bolt Rdhd Sqnk 5/16-18 unc x 3/4 | 160 | 532171182 | Washer 29/32 x 1-1/4 x 16 Ga |
| 34 | 532165496 | Shaft, Foot Pedal | 161 | 532171183 | Bolt Rdhd Sqnk 1/4-20 x 3/4 Gr. 5 |
| 35 | 532120183 | Bearing, Nylon | 162 | 532171184 | Nut Crownlock 1/4-20 Unc |
| 36 | 532171368 | Washer 21/32 x 1 x 16 Ga | 163 | 532171186 | Bolt Hex Fin 1/4-20 Unc x 1 Gr 5 |
| 37 | 532124963 | Pin, Roll | 164 | 532171172 | Washer 5/8 x .281 x 10 Ga |
| 38 | 532165936 | Pulley, Flat | 165 | 532165623 | Bracket Pivot Lever |
| 39 | 532171247 | Nut Rdhd 3/8-16 Unc x 2-3/4 Gr. 5 | 166 | 532166880 | Screw 5/16-18 x 5/8 |
| 40 | 532124965 | Spacer, Split | 167 | 532165588 | Bracket Support Shift CRD |
| 42 | 532171151 | Washer 13/32 x 13/16 x 12 Gauge | 168 | 532165492 | Bolt Shoulder 5/16-18 x .561 |
| 47 | 532127783 | Pulley, Idler, V-Groove | 169 | 532165580 | Plate Fastening Cross Shf. Stlt/CRD |
| 48 | 532154407 | Bellcrank Assembly | 172 | 532165587 | Shaft Asm Shifter Frt CRD |
| 49 | 532123205 | Retainer, Belt | 173 | 532165934 | Bracket Hydro Bypass CRD |
| 50 | 532171180 | Bolt Carr Sh 3/8-16 x 1-1/2 Gr. 5 | 174 | 532171135 | Washer Lock 1/4 |
| 51 | 532171168 | Nut Crownlock 3/8-16 UNC | 175 | 532165931 | Spring Bypass CRD |
| 52 | 532171026 | Nut Crownlock 5/16-18 UNC | 176 | 532171159 | Washer 7/32 x 1/2 x 16 Ga |
| 53 | 532105710 | Link, Clutch | 177 | 532165932 | Keeper Flat Idler |
| 55 | 532105709 | Spring, Return, Clutch | 178 | 532165933 | Keeper Belt Idler |
| 56 | 532171187 | Bolt Fin Hex 3/8-16 UNC x 1-1/4 | 179 | 532120958 | Washer Sintered |
| 57 | 532165632 | V-Belt, Ground Drive | 180 | 532165630 | Pulley Flat Idler |
| 61 | 532171167 | Screw 3/8-16 x 3/4 | 181 | 532165797 | Bracket Idler Ground Drive CRD (QTY. 4) |
| 62 | 532124872 | Cover, Pedal | 182 | 532165634 | Keeper Belt 2.5"OD V-Idler CRD (QTY. 4) |
| 63 | 532145868 | Pulley, Engine | 183 | 532165626 | Pulley V-Idler 2.50"OD CRD (QTY. 4) |
| 65 | 532171220 | Washer | 184 | 532171171 | Scr Hexwsh Thdrol 3/8-16 x 2-3/4 |
| 66 | 532154778 | Keeper Belt Engine | 185 | 532165541 | Link shift CRD Hydro 0650 |
| 71 | 532140158 | Strap Torque Lh Hydro | 186 | 532165614 | Hub Tapered Round CRD |
| 73 | 532156347 | Strap Torque Rh Hydro | 187 | 532171173 | Screw 3/8 - 16 x 1-1/4 |
| 74 | 532121199 | Spacer, Split | 188 | 532110436 | Bushing Snap Split Blk |
| 75 | 532171038 | Washer 25/32 x 1-1/4 x 16 Gauge | 190 | 532171181 | Screw Thdrol 3/8-16 x 1/2 TYTT |
| 76 | 812000001 | E-Ring | 191 | 532171352 | Bolt Shoulder 5/16-18 Unc -2A BD |
| 77 | 532123583 | Key, Square | 192 | 532171248 | Nut Crown Lock 5/16-18 Slvr DC |
| 78 | 532171039 | Washer 25/32 x 1-5/8 x 16 Gauge | 193 | 532171358 | Nut Crown Lock 5/16-18 Slvr DC |
| 81 | 532165585 | Shaft Asm. Cross | 194 | 532171162 | Nut Crown Lock 3/8-16 Unc |
| 82 | 532123782 | Spring Torsion | | | |
| 83 | 532171230 | Washer 17/32 x 3/4 x 16 Ga. | | | |

NOTE: All component dimensions given in U.S. inches
1 inch = 25.4 mm

For Husqvarna Parts Call 606-678-9623 or 606-561-4983 REPAIR PARTS

TRACTOR - - MODEL NO. CTH150 (954140101A), PRODUCT NO. 954 14 01-01
STEERING ASSEMBLY



For Husqvarna Parts Call 606-678-9623 or 606-561-4983
REPAIR PARTS

TRACTOR - - MODEL NO. CTH150 (954140101A), PRODUCT NO. 954 14 01-01
STEERING ASSEMBLY

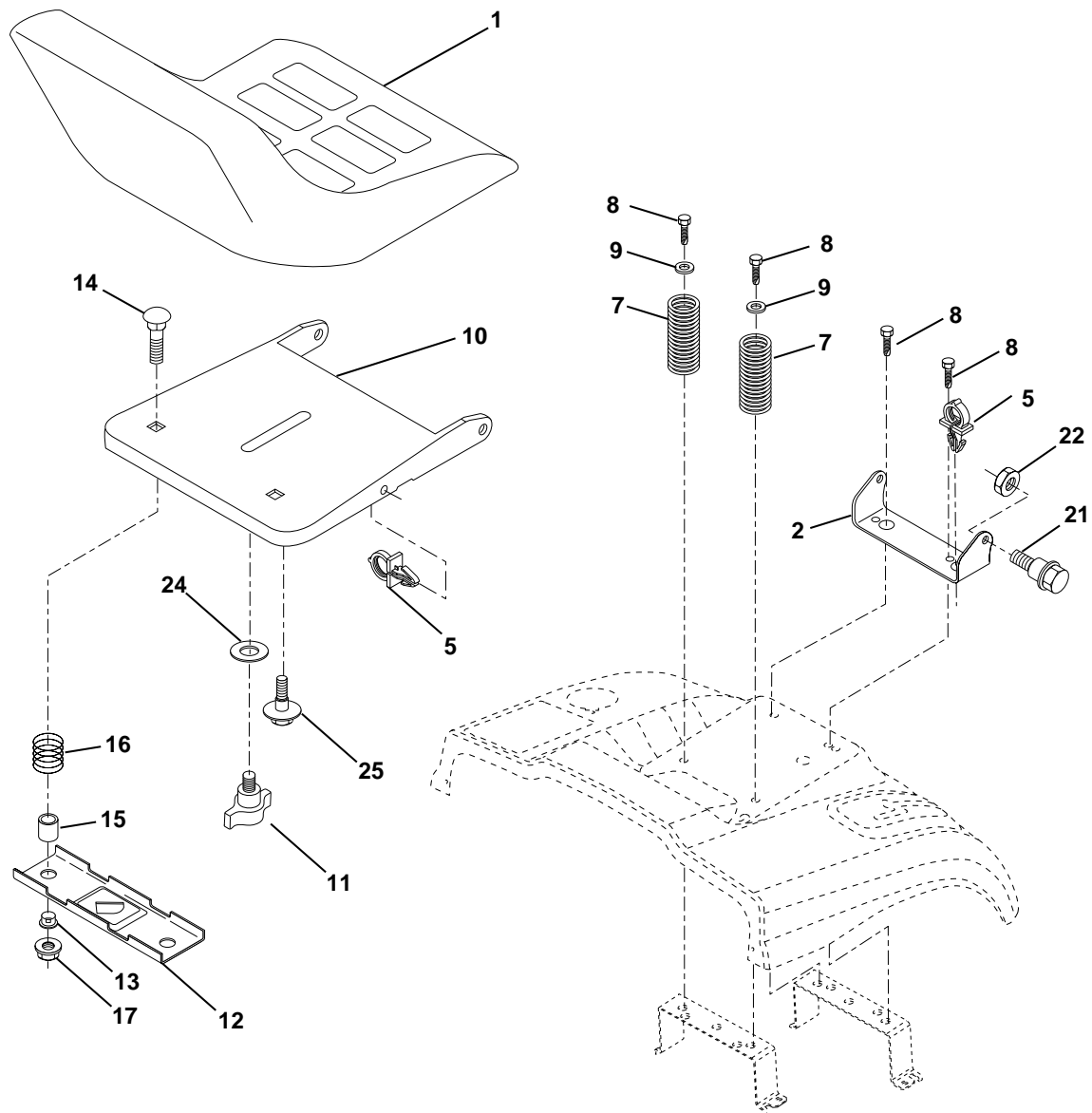
| KEY PART NO. | PART NO. | DESCRIPTION |
|--------------|-----------|----------------------------------|
| 1 | 532166627 | Wheel Steering |
| 2 | 532165854 | Axle Cast LT Machined |
| 3 | 532169840 | Spindle Asm LH |
| 4 | 532169839 | Spindle Asm RH |
| 5 | 532124931 | Bearing Race Thrust Harden |
| 6 | 532171039 | Washer 25/32 X 1-5/8 X 16 Ga |
| 7 | 532171240 | Washer 27/32 X 1-1/4 X 16 Ga |
| 8 | 812000029 | Ring Klip #t5304-75 |
| 10 | 532169832 | Link Drag |
| 11 | 532171029 | Washer Lock Hvy Hlcl Spr 3/8 |
| 13 | 532136518 | Spacer Brg Axle Front |
| 15 | 532171178 | Nut Hex Flange Lock |
| 17 | 532156546 | Shaft Asm Strg |
| 18 | 532057079 | Washer Thrust 515x 750x 033 |
| 19 | 532160395 | Support Shaft |
| 22 | 532171188 | Screw Hex Wshhd Torx |
| 23 | 532165851 | Shaft Asm Pittman |
| 25 | 532154406 | Bracket Steering |
| 27 | 532136874 | Gear Sector |
| 29 | 532171167 | Screw 3/8-16x3/4 |
| 32 | 532170162 | Rod Asm Tie Ball Joint Noram |
| 36 | 532155099 | Bushing Strg |
| 37 | 532171193 | Screw |
| 38 | 532166626 | Insert Cap Strg Wh |
| 39 | 532171388 | Washer 13/32 x 1-1/20 x 11 Ga. |
| 40 | 532171175 | Lock nut |
| 41 | 532159945 | Adaptor Wheel Strg |
| 42 | 532169634 | Boot Steering |
| 43 | 532171038 | Washer 25/32 X 1 1/4 X 16 Ga |
| 44 | 532171024 | Extention Steering Non-Adjust |
| 46 | 532121232 | Cap Spindle Fr Top Blk |
| 47 | 532124836 | Fitting Grease |
| 51 | 532171026 | Nut Crown Lock 5/16-18 |
| 54 | 532171025 | Bolt Fin Hex 5/16-18 Unc x 1 1/4 |
| 62 | 532167902 | Kit, Steering Assembly Svc |
| 63 | 532171031 | Bolt Fin Hex 3/8-16 Unc x 1 Gr 5 |
| 65 | 532160367 | Spacer Brace, Axle |
| 66 | 532154404 | Bearing Arm Pittman |
| 67 | 532171176 | Bolt RdhdSqneck 3/8-16 x 2-1/4 |
| 68 | 532169827 | Axle, Brace |
| 79 | 532171189 | Washer 13/32 x 1 1/4 x 12 Ga |
| 80 | 532171190 | Bolt Hex Nylon 3/8-16 x 3/4 |
| 82 | 532169835 | Bracket Susp Chassis Front 15" |

NOTE: All component dimensions given in U.S. inches
1 inch = 25.4 mm

For Husqvarna Parts Call 606-678-9623 or 606-561-4983

REPAIR PARTS

TRACTOR - - MODEL NO. CTH150 (954140101A), PRODUCT NO. 954 14 01-01
SEAT ASSEMBLY



| KEY NO. | PART NO. | DESCRIPTION |
|---------|-----------|--------------------------------|
| 1 | 532140839 | Seat |
| 2 | 532140551 | Bracket Pivot Seat 8 720 |
| 5 | 532145006 | Clip Push-In |
| 7 | 532124181 | Spring Seat Cprsn 2 250 Blk Zi |
| 8 | 532171235 | Screw 3/8-16 X 1-1/2 |
| 9 | 532171236 | Washer 13/32 X 1 X 14 Ga. |
| 10 | 532155925 | Pan Seat |
| 11 | 532166369 | Knob Seat Adj. Wingnut |
| 12 | 532121246 | Bracket Mounting Switch |
| 13 | 532121248 | Bushing Snap Blk Nyl 50 Id |

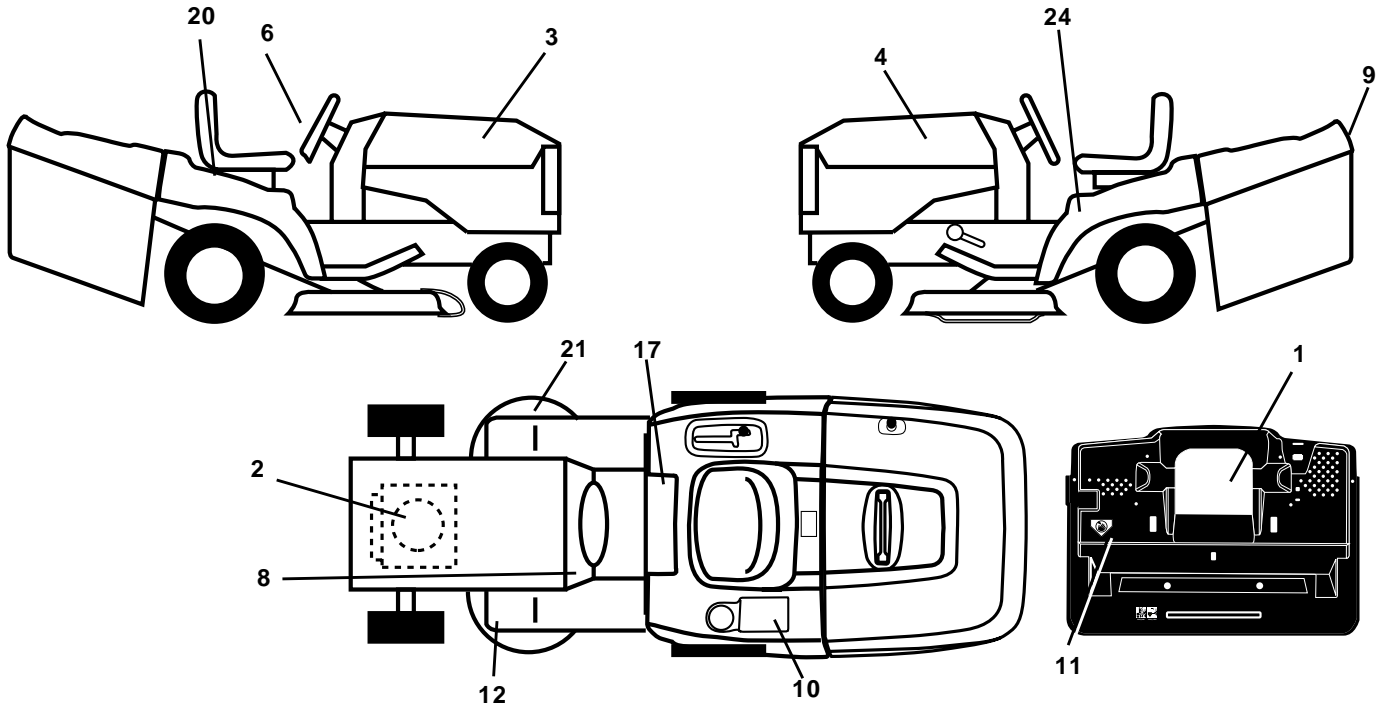
| KEY NO. | PART NO. | DESCRIPTION |
|---------|-----------|--------------------------------|
| 14 | 532171040 | Bolt Rdhd Sqnk 1/4-20x1-1/2 |
| 15 | 532134300 | Spacer Split 28x .96 Zinc |
| 16 | 532121250 | Spring Cprsn |
| 17 | 532171041 | Nut Lock 1/4 Lge Flg Gr 5 Zinc |
| 21 | 532171130 | Bolt Shoulder 5/16-18 Unc |
| 22 | 532171026 | Nut Crownlock 5/16-18 |
| 24 | 532171261 | Washer 17/32 X 1-3/16 X 12 Ga. |
| 25 | 532171260 | Bolt Shoulder 5/16-18 X 62 |

NOTE: All component dimensions given in U.S. inches
1 inch = 25.4 mm

For Husqvarna Parts Call 606-678-9623 or 606-561-4983

REPAIR PARTS

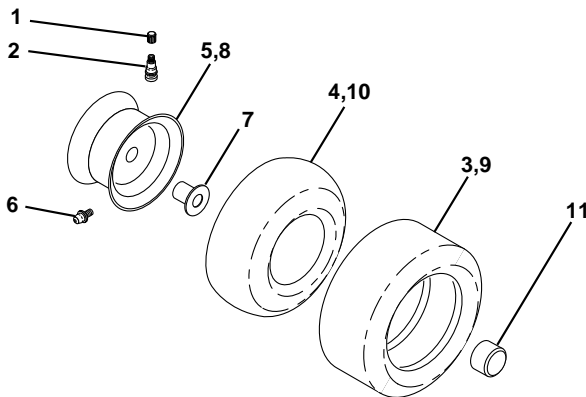
TRACTOR - - MODEL NO. CTH150 (954140101A), PRODUCT NO. 954 14 01-01
DECALS



| KEY NO. | PART NO. | DESCRIPTION |
|---------|-----------|---------------------------------|
| 1 | 532170563 | Decal Mower Warn Keep Hand Away |
| 2 | 532166103 | Decal Hp Engine |
| 3 | 532170596 | Decal Hood Rh |
| 4 | 532170597 | Decal Hood Lh |
| 6 | 532170564 | Decal Steering Wheel |
| 8 | 532171458 | Decal Dash |
| 9 | 532150617 | Decal Fender |
| 10 | 532145005 | Decal Bat Dan/Poi P/L |
| 11 | 532107339 | Decal Mower Cut Finger |

| KEY NO. | PART NO. | DESCRIPTION |
|---------|-----------|----------------------------------|
| 12 | 532101892 | Decal Brake/Clutch E/Fr |
| 17 | 532156993 | Decal Saddle Oper Inst Hydro E/F |
| 20 | 532166960 | Decal Bypass Fender CRD |
| 21 | 532166286 | Decal Deck Sch 92 CRD |
| 23 | 532168952 | Decal Bagger/Discharge CRD |
| 24 | 532157140 | Decal Fender Danger E/F Lt |
| — | 532138311 | Decal Lift Handle |
| — | 532171237 | Pad Footrest |
| — | 532170934 | Manual Owners (English) |
| — | 532170948 | Manual Owners (French) |

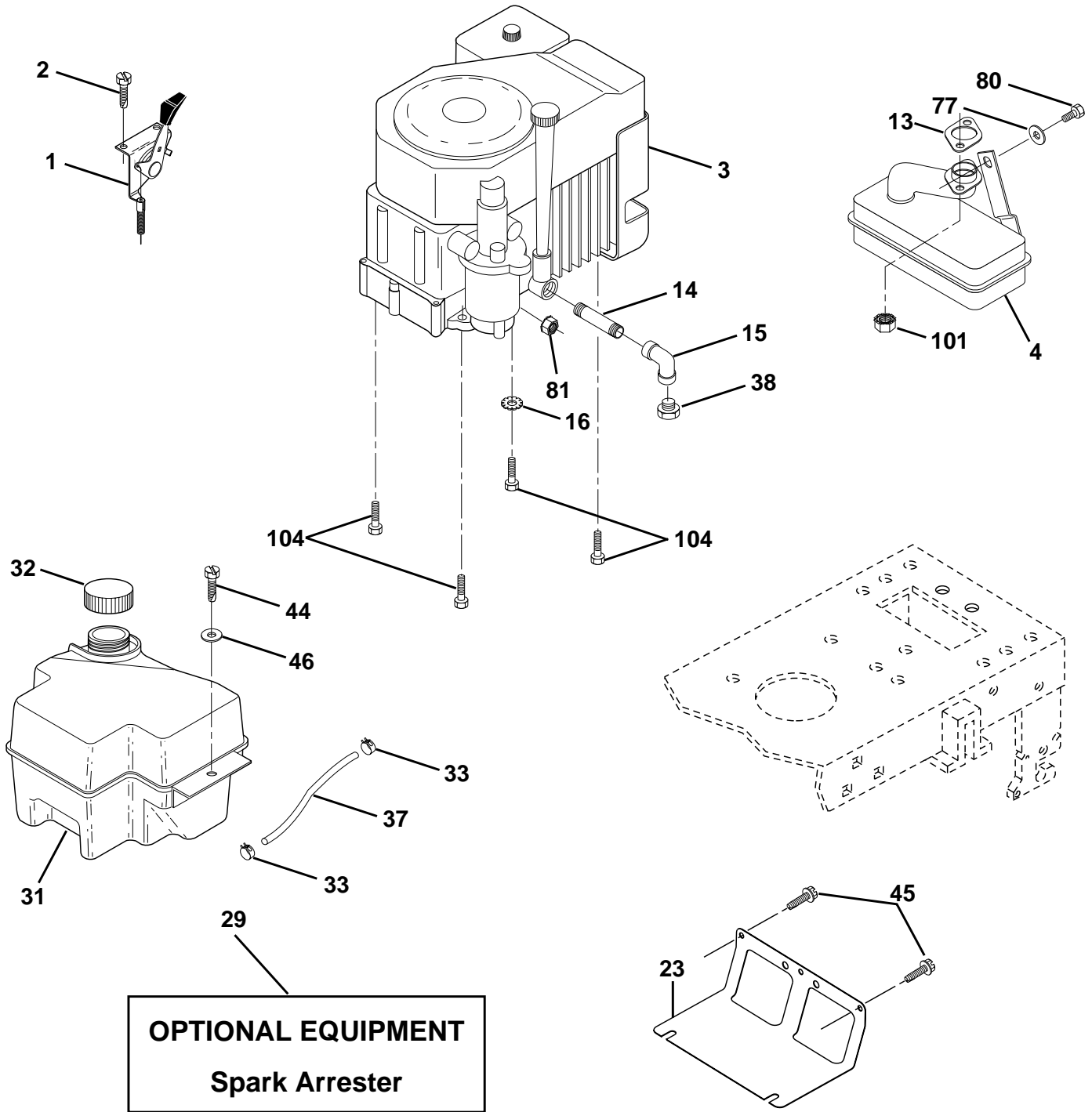
WHEELS & TIRES



| KEY NO. | PART NO. | DESCRIPTION |
|---------|-----------|--------------------------------|
| 1 | 532059192 | Cap Value Tire |
| 2 | 532065139 | Stem Value |
| 3 | 532106222 | Tire F Ts 15 X 6 0 - 6 Service |
| 4 | 532059904 | Tube Inner Front #35060 |
| 5 | 532138336 | Rim Asm 6"front Service |
| 6 | 532124957 | Fitting Grease |
| 7 | 532124959 | Bearing Flange |
| 8 | 532138337 | Rim Asm 8"rear Service |
| 9 | 532138468 | Tire R Ts 20 x 8-8 Service |
| 10 | 532124926 | Tube Rear 9 5 X 8 Service |
| 11 | 532104757 | Cap Axle Blk 1 50 X 1 00 |
| -- | 532144334 | Sealant, Tire (10 oz. tube) |

NOTE: All component dimensions given in U.S. inches
1 inch = 25.4 mm

For Husqvarna Parts Call 606-678-9623 or 606-561-4983
REPAIR PARTS
TRACTOR - - MODEL NO. CTH150 (954140101A), PRODUCT NO. 954 14 01-01
ENGINE



For Husqvarna Parts Call 606-678-9623 or 606-561-4983

REPAIR PARTS

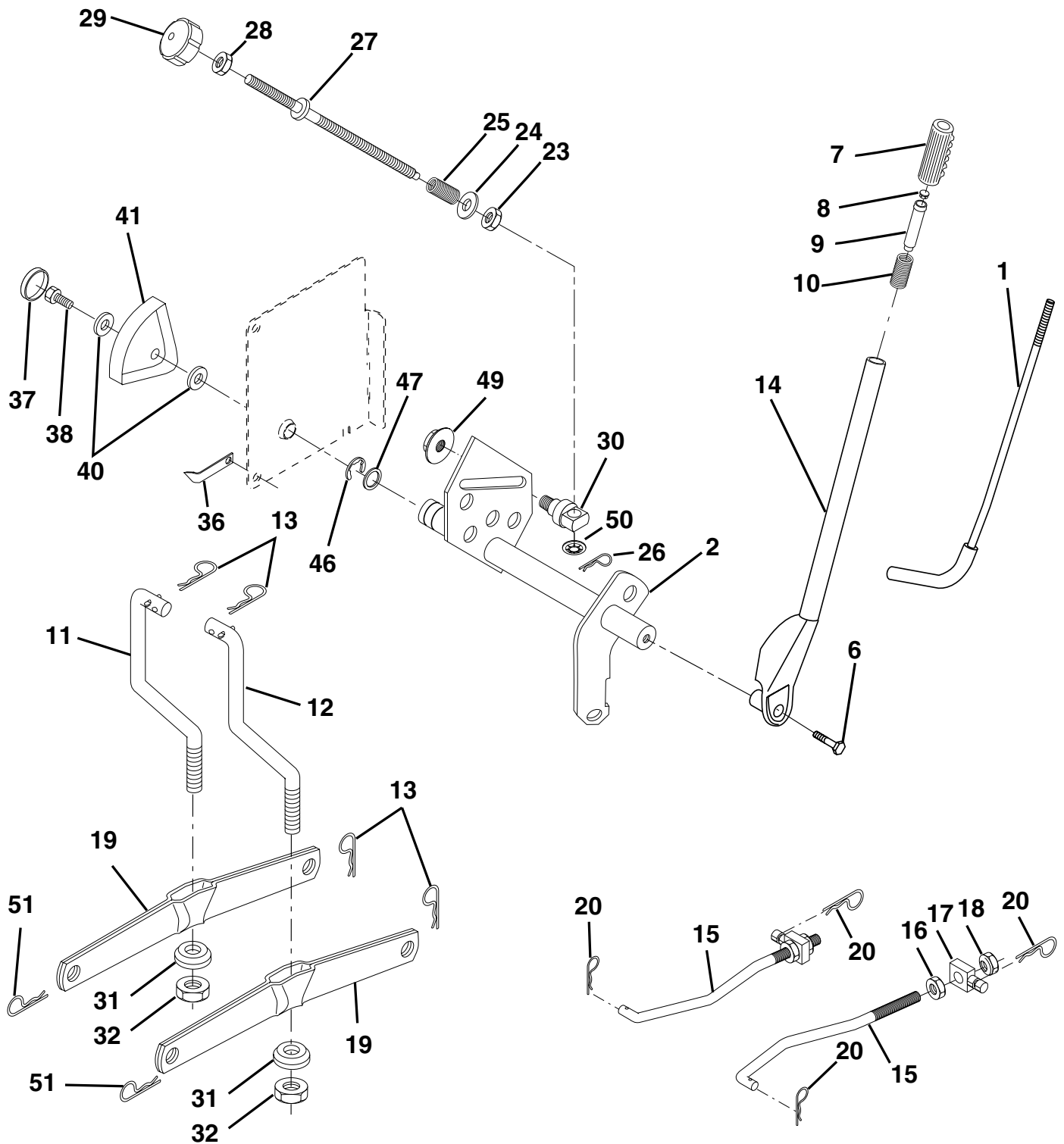
TRACTOR - - MODEL NO. CTH150 (954140101A), PRODUCT NO. 954 14 01-01
ENGINE

| KEY NO. | PART NO. | DESCRIPTION |
|---------|-----------|---|
| 1 | 532141296 | Control, Throttle / Choke |
| 2 | 532171192 | Screw Hex Thd Cut 1/4-20 x 5/8 |
| 3 | ----- | Engine Kohler CV15 (Order From Engine Manufacturer) |
| 4 | 532159420 | Muffler, Exhaust |
| 13 | 532163831 | Muffler Gasket |
| 14 | 532171373 | Nipple, Pipe |
| 15 | 532171215 | Elbow, Standard 90°, 3/8-18 NPT |
| 16 | 532171217 | Washer, Lock Ext tooth 3/8 |
| 23 | 532169837 | Shield, Browning/Debris Guard |
| 29 | 532137180 | Arrester, Spark |
| 31 | 532161911 | Tank, Fuel |
| 32 | 532140527 | Cap Gauge, Fuel |
| 33 | 532123487 | Clamp, Hose Blk |
| 37 | 532137040 | Line, Fuel |
| 38 | ----- | Plug, Oil Drain (Order From Engine Manufacturer) |
| 44 | 532171239 | Screw Hexwsh Thdrol 1/4-20 x 3/4 |
| 45 | 532171154 | Screw 3/8-16 x 3/4 |
| 46 | 532171224 | Washer 9/32 x 7/8 x 16 Ga |
| 77 | 532171372 | Washer 5/16 x 3/4 x 16 Ga. |
| 80 | 532171371 | Bolt Hex Hd 5/16-18 Unc x 1/2 |
| 81 | 532128861 | Nut Flange 1/4-20 Starter Nut |
| 101 | 532163305 | Nut Flange M8- 1.25 |
| 104 | 532171374 | Screw 3/8-16 x 1" |

NOTE: All component dimensions given in U.S. inches
1 inch = 25.4 mm

For Husqvarna Parts Call 606-678-9623 or 606-561-4983 REPAIR PARTS

TRACTOR - - MODEL NO. CTH150 (954140101A), PRODUCT NO. 954 14 01-01
MOWER LIFT



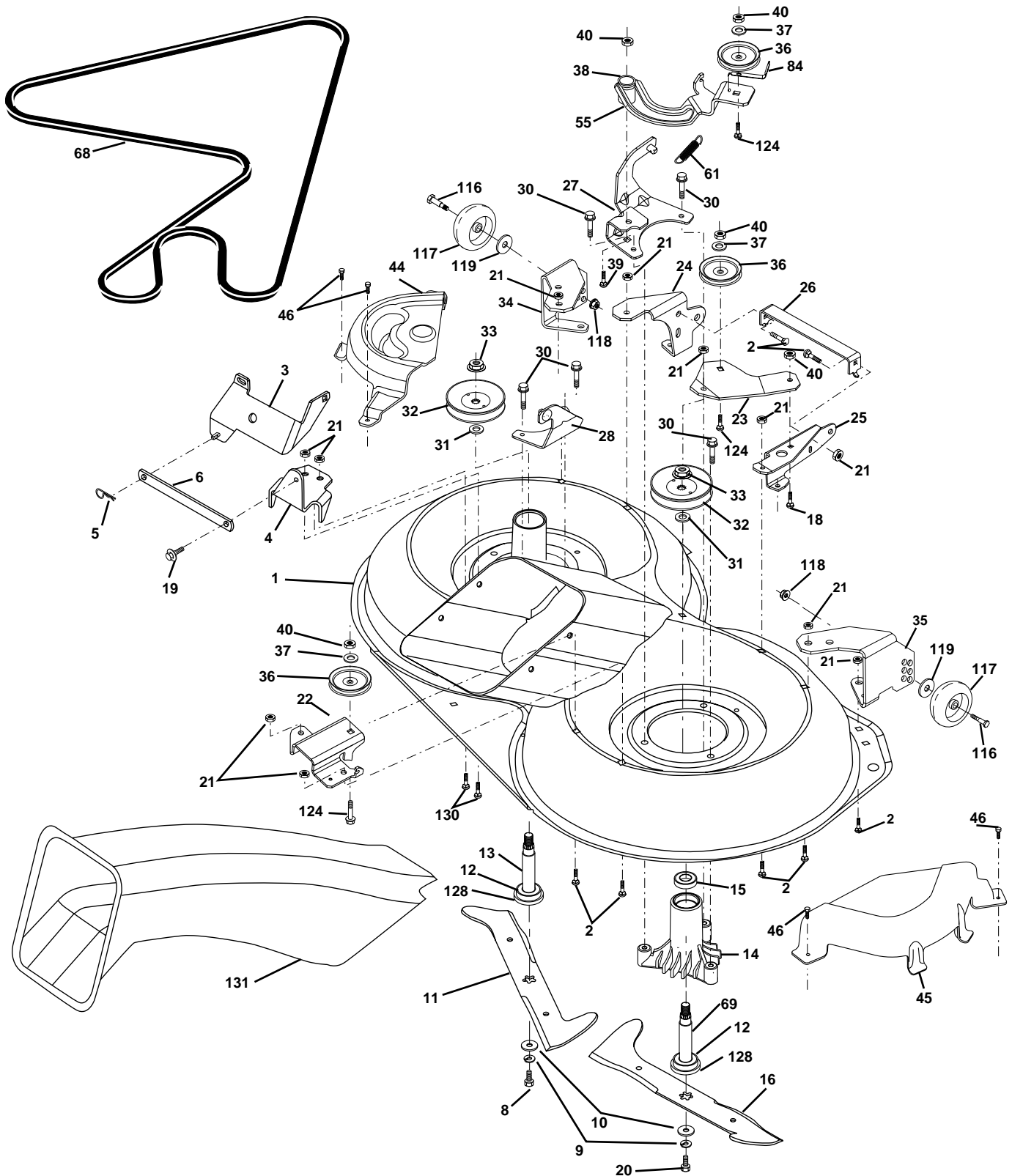
For Husqvarna Parts Call 606-678-9623 or 606-561-4983
REPAIR PARTS

TRACTOR - - MODEL NO. CTH150 (954140101A), PRODUCT NO. 954 14 01-01
MOWER LIFT

| KEY NO. | PART NO. | DESCRIPTION |
|--------------------|---------------------|--------------------------------|
| 1 | 532159460 | Wire Asm Inner W/Plunger |
| 2 | 532159471 | Shaft Asm Lift |
| 3 | 532171201 | Pin Groove |
| 4 | 812000002 | E Ring #5133-62 |
| 5 | 532171205 | Washer 29/32 x 1-1/4 x 21 Ga. |
| 6 | 532120183 | Bearing Nylon Blk .629 ID |
| 7 | 532125631 | Grip Handle Fluted |
| 8 | 532124526 | Button, Plunger |
| 11 | 532165829 | Link Lift Lh CRD |
| 12 | 532165831 | Link Lift Rh CRD |
| 13 | 532171170 | Retainer Spring |
| 15 | 532167253 | Link Front |
| 16 | 532171262 | Nut Jam Hex 1/2-13 Unc |
| 17 | 532130171 | Trunnion Blk Zinc |
| 18 | 532171263 | Nut Crownlock 1/2-13 Unc |
| 19 | 532139868 | Arm Suspension Rear |
| 20 | 532171212 | Spring Retainer |
| 23 | 532110807 | Nut Special |
| 24 | 532171207 | Washer 13/32 X 5/8 X 16 Ga |
| 25 | 532124874 | Spring |
| 26 | 532171208 | Retainer Clip |
| 27 | 532171206 | Rod Adjust Lift |
| 28 | 532171163 | Nut Hex Jam 3/8-16 Unc |
| 29 | 532138057 | Knob Infinite 3/8-16 Unc Black |
| 30 | 532171203 | Trunnion Infinite Height |
| 31 | 532140302 | Bearing Pvt. Lift Spherical |
| 32 | 532171264 | Nut Lock 3/8-24 |
| 36 | 532155097 | Pointer Height Indicator |
| 37 | 532123935 | Plug Hole |
| 38 | 532171210 | Screw 5/16-18 x 1 |
| 40 | 532171209 | Washer 11/32 x 1-1/2 |
| 41 | 532123934 | Scale Ind Height Blk |
| 49 | 532171178 | Nut Hex Flange Lock |
| 50 | 532110452 | Nut Push Phos & Oil |
| 51 | 532171211 | Retainer Spring |

NOTE: All component dimensions given in U.S. inches
1 inch = 25.4 mm

For Husqvarna Parts Call 606-678-9623 or 606-561-4983
REPAIR PARTS
TRACTOR - - MODEL NO. CTH150 (954140101A), PRODUCT NO. 954 14 01-01
MOWER DECK



For Husqvarna Parts Call 606-678-9623 or 606-561-4983

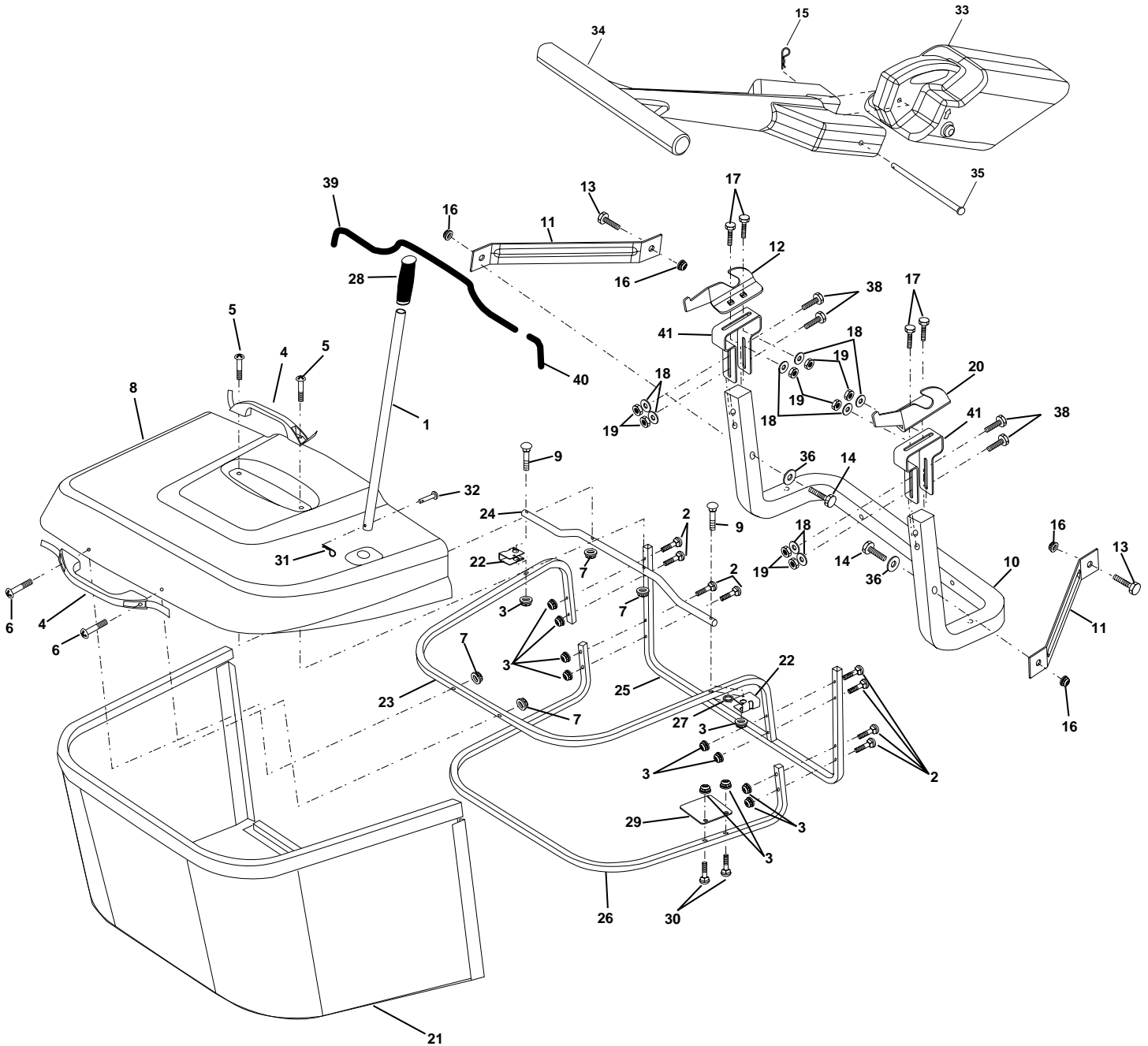
REPAIR PARTS

TRACTOR - - MODEL NO. CTH150 (954140101A), PRODUCT NO. 954 14 01-01
MOWER DECK

| KEY NO. | PART NO. | DESCRIPTION | KEY NO. | PART NO. | DESCRIPTION |
|---------|-----------|-----------------------------------|---------|-----------|-----------------------------------|
| 1 | 532169160 | Housing Asm. Weldment | 33 | 532137266 | Nut Flg Top Lock Cntr B 9/16 |
| 2 | 532171249 | Bolt Rdhd Sqnk 5/16-18 Unc x 3/4 | 34 | 532169174 | Bracket Gauge Wheel Lf CRD |
| 3 | 532165569 | Bracket Asm. S-Bar Chass CRD | 35 | 532169175 | Bracket Gauge Wheel Rf CRD |
| 4 | 532169167 | Bracket Bar Sway Deck CRD | 36 | 532146763 | Pulley Idler V-Groove Dim 4.25 |
| 5 | 532171211 | Retainer Spring | 37 | 532171140 | Washer 11/32 x 13/16 x 16 Ga |
| 6 | 532165557 | Bar Sway 92 CRD | 38 | 532169851 | Spacer Hub Arm Idler 107 CRD |
| 8 | 532171242 | Bolt 3/8-24 x 1.25 Gr8 Patched | 39 | 532171247 | Bolt Rdhd 3/8-16 Unc x 2-3/4 Gr.5 |
| 9 | 810030600 | Washer Lock Hvy 3/8 Unplated | 40 | 532171168 | Nut Crownlock 3/8-16 Unc |
| 10 | 532140296 | Washer Hard Blade Mower vented | 44 | 532169180 | Cover Mandrel Lh CRD |
| 11 | 532168720 | Blade 3-1 Lh CRD | 45 | 532169179 | Cover Mandrel Rh CRD |
| 12 | 532129895 | Bearing Ball #6204 (Mandrel) | 46 | 532171253 | Screw Thd Roll 1/4-20 x 5/8 |
| 13 | 532137645 | Shaft Asm. W/Lower Bearing | 55 | 532169849 | Arm Idler CRD |
| 14 | 532128774 | Housing Mandrel Vented (Machd) | 56 | 532122052 | Spacer Retainer PM Mower |
| 15 | 532110485 | Bearing Ball Mandrel | 61 | 532165945 | Spring Tension Belt |
| 16 | 532168721 | Blade 3-1 Rh CRD | 68 | 532169178 | Hex-Belt 107 Mower |
| 17 | 872140610 | Bolt Carriage 3/8-16 x 1-1/4 | 69 | 532165482 | Shaft Asm W/Lwr Brg Rh Thd CRD |
| 18 | 532171176 | Bolt Rdhd Sqnk 3/8-16 x 1 Gr5 | 84 | 532156085 | Keeper Belt Idler |
| 19 | 532171252 | Bolt Shoulder 5/16-18 Thd Form | 116 | 532171387 | Bolt Shoulder |
| 20 | 532171243 | Bolt 3/8-24 x 1.25 Gr8 Ptch Lhthd | 117 | 532133957 | Wheel Gage Wide |
| 21 | 532171248 | Nut Crown Lock 5/16-18 | 118 | 532171255 | Nut Centerlock 3/8-16 Unc |
| 22 | 532169165 | Bracket Idler Sprt RR CRD | 119 | 532171256 | Washer 3/8 x 7/8 x 14 Ga. |
| 23 | 532169166 | Bracket Idler RF CRD | 124 | 532171180 | Bolt Carr Sh 3/8-16 x 1-1/2 Gr5 |
| 24 | 532169170 | Bracket Suspension LF CRD | 128 | 532153390 | Washer Felt |
| 25 | 532169171 | Bracket Suspension RF CRD | 130 | 532171256 | Bolt Rdhdsqnk 5/16-18 Unc x 3/4 |
| 26 | 532165237 | Brace Support Susp Frt CRD | 131 | 532165661 | Chute Bagger CRD |
| 27 | 532169172 | Bracket Asm. Susp RR CRD | - | 532130794 | Mandrel Asm Service |
| 28 | 532169168 | Bracket Asm. Susp LR CRD | - | 532165579 | Mandrel Asm CRD Lh Threads SVC |
| 30 | 532157722 | Screw Thd Rolling Washer Head | - | 532170273 | Deck Mower Complete |
| 31 | 532171245 | Washer Spacer Mower Vented | | | |
| 32 | 532153535 | Mandrel Pulleys | | | |

NOTE: All component dimensions given in U.S. inches
1 inch = 25.4 mm

For Husqvarna Parts Call 606-678-9623 or 606-561-4983
REPAIR PARTS
TRACTOR - - MODEL NO. CTH150 (954140101A), PRODUCT NO. 954 14 01-01
BAGGER



For Husqvarna Parts Call 606-678-9623 or 606-561-4983

REPAIR PARTS

TRACTOR - - MODEL NO. CTH150 (954140101A), PRODUCT NO. 954 14 01-01
BAGGER

| KEY NO. | PART NO. | DESCRIPTION |
|---------|-----------|---------------------------------------|
| 1 | 532165249 | Tube Handle Bagger CRD |
| 2 | 532171270 | Bolt Carriage 1/4-20 x 2.0 Gr.5 |
| 3 | 532171041 | Nut Lock 1/4 Lge Flg Gr. 5 Zinc |
| 4 | 532169916 | Handle Bagger w/Lvrs Blk CRD |
| 5 | 532171266 | Screw Pan Head #10-24 x 1.50 Blk |
| 6 | 532171267 | Screw Pan Hd |
| 7 | 532171268 | Nut Wiz Lock Hex Serr/Hd 10-24 |
| 8 | 532167980 | Cover Bagger Plastic CRD MS422 |
| 9 | 532171265 | Bolt Carriage 1/4-20 x 2.25d x Gr.5 |
| 10 | 532169688 | Tube Support Bagger CRD |
| 11 | 532165719 | Bracket Support Upper Bag CRD |
| 12 | 532171481 | Bracket Pnt Adj Bagger Lh CRD |
| 13 | 532171272 | Bolt Rdhd Sht Sqnk 3/8-16 x 3/4 |
| 14 | 532171273 | Bolt Hex 3/8-16 x 2-1/2 Gr.5 |
| 15 | 532171211 | Retainer Spring |
| 16 | 532171275 | Nut Lock Flg 3/8-16 Unc |
| 17 | 532171221 | Bolt Rdhd Sht Sqnk 5/16 -18 Unc x 3/4 |
| 18 | 532171392 | Washer 11/32 x 3/4 x 16 Ga. |
| 19 | 532171026 | Nut Crownlock 5/16-18 Blk D |
| 20 | 532171482 | Bracket Pnt Adj Bagger Rh CRD |
| 21 | 532165780 | Bag Asm CRD |
| 22 | 532165781 | Bracket Side Bagger CRD |
| 23 | 532165782 | Tube Upper Bagger CRD |
| 24 | 532165783 | Tube Pivot Bagger CRD |
| 25 | 532165784 | Tube Front Bagger CRD |
| 26 | 532165785 | Tube Lower Bagger CRD |
| 27 | 532169692 | Bushing Snap Bagger CRD |
| 28 | 532165787 | Grip Handle Black |
| 29 | 532165839 | Plate Stop Bagger handle CRD |
| 30 | 532171269 | Bolt Carriage 1/4-20 x 1-1/4 Gr.5 |
| 31 | 532171160 | Retainer Spring 1" Zinc/Cad |
| 32 | 532171271 | Rivet Rd Hd Drilled 3/8 Dia |
| 33 | 532169380 | Plug Mulcher |
| 34 | 532165570 | Handle Mulcher |
| 35 | 532171276 | Pin Mulcher |
| 36 | 532171274 | Washer 13/32 x 1-1/4 x 16 Ga. |
| 38 | 532171393 | Bolt 5/16-18 x 2-1/2 |
| 39 | 532169999 | Seal, 26", long |
| 40 | 532170000 | Seal, 7", short |
| 41 | 532171483 | Bracket Pnt Adj Pvt Bagger CRD |

NOTE: All component dimensions given in U.S. inches
1 inch = 25.4 mm