

For Husqvarna Parts Call 606-678-9623 or 606-561-4983

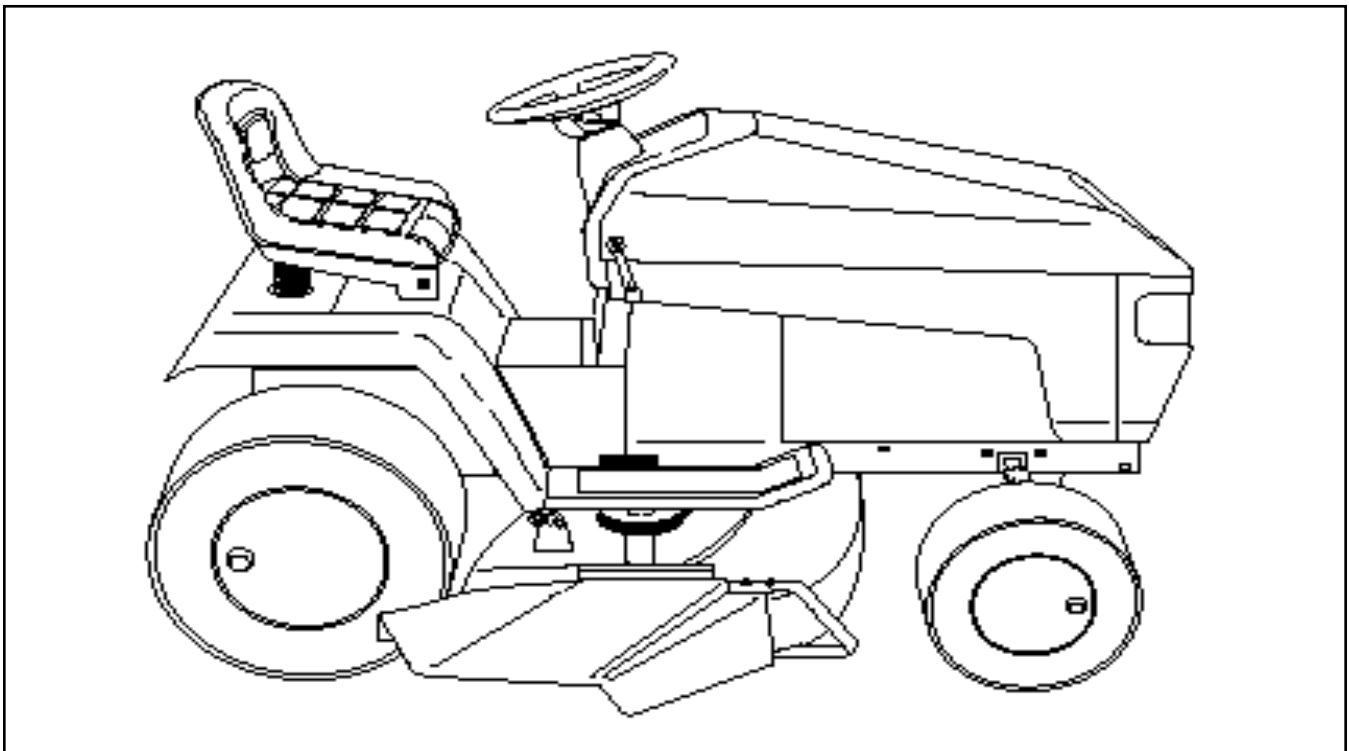


Illustrated Parts  
List

1999-05

19902036

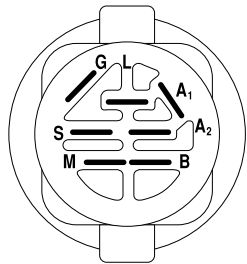
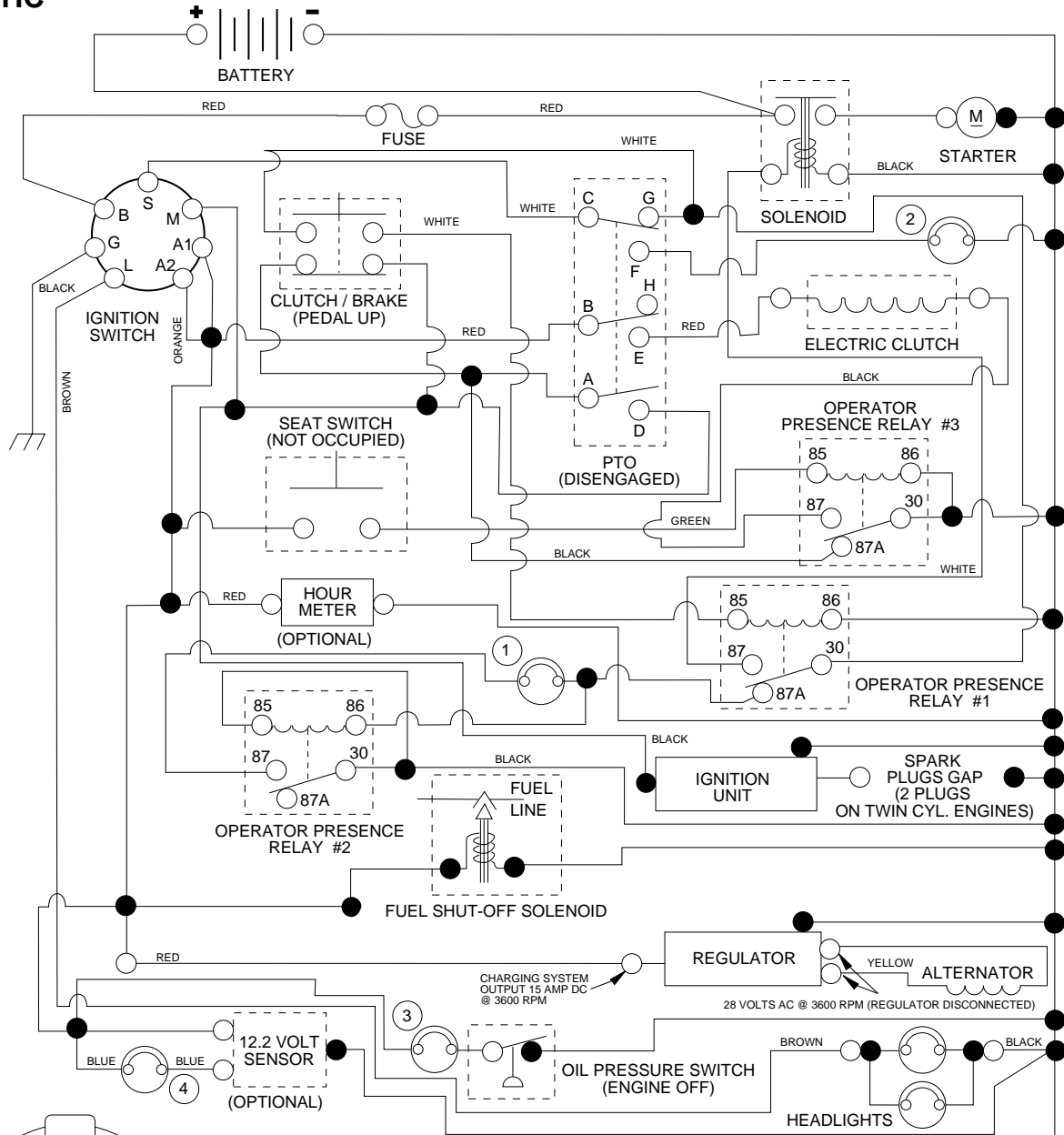
# GTH 200



**Ride Mower**

**954140046D**

### SCHEMATIC



**IGNITION SWITCH**

POSITION	CIRCUIT	"MAKE"
OFF	M + G + A1	NONE
ON + LIGHTS	B + A1	L + A2
ON	B + A1	NONE
START	B + S + A1	NONE

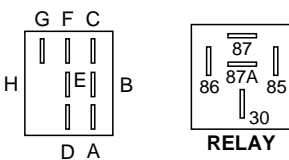
**INDICATOR LIGHTS**

- ① DEPRESS FOOT PEDAL
- ② DISENGAGE ATTACHMENT
- ③ CHECK OIL
- ④ BATTERY DISCHARGING

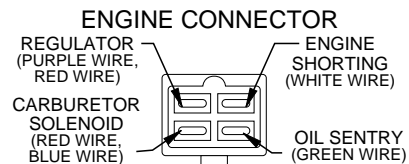
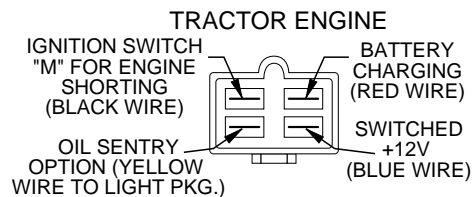
**WIRING INSULATED CLIPS**  
**NOTE:** IF WIRING INSULATED CLIPS WERE REMOVED FOR SERVICING OF UNIT, THEY SHOULD BE REPLACED TO PROPERLY SECURE YOUR WIRING.

**PTO SWITCH**

POSITION	CIRCUIT
OFF	C + G, B + H
ON	C + F, B + E, A + D



● NON-REMOVABLE CONNECTIONS  
 ○ REMOVABLE CONNECTIONS





## REPAIR PARTS

TRACTOR - MODEL NO. GTH200 (954140046D), PRODUCT NO. 954 14 00-46

### ELECTRICAL

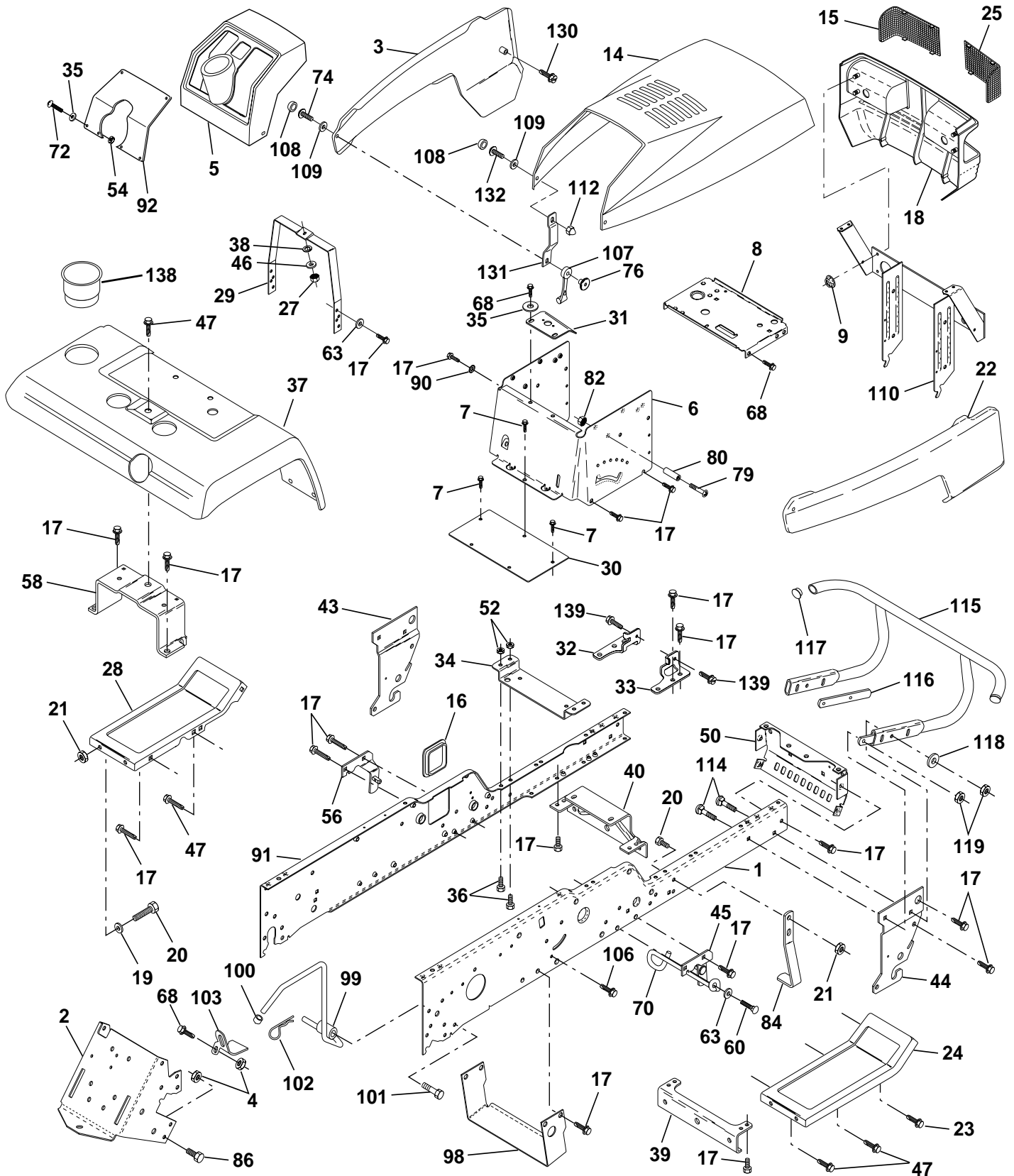
KEY NO.	PART NO.	DESCRIPTION
1	532144927	Battery
2	874760412	Bolt Hex Head 1/4-20 x 3/4
8	532124886	Tray, Battery
10	532145211	Bolt, Btr Frt 1/4-20 x 7-1/2 Zinc
11	532150109	Holddown Battery Front Mount
12	532145769	Nut Push Nylon 1/4" Battery Frt.
16	532153664	Switch Interlock Push-In
19	810090400	Washer, Lock 1/4
20	873350400	Nut, Jam Hex 1/4-20
21	<b>532166182</b>	Harness Socket Light w/4152J
22	532004152	Bulb Light
24	532004014	Cable, Starter
25	532146686	Cable, Battery
26	532108824	Fuse
27	873510400	Nut Keps Hex 1/4-20 UNC
28	532157899	Cable, Ground
29	532160784	Switch, Plunger
30	<b>532163968</b>	Switch, Ign
33	<b>532140401</b>	Key
40	<b>532166174</b>	Harness Ign.
41	817720408	Screw 1/4-20 x 1/2
42	532131563	Cover, Terminal Red
43	532145673	Solenoid
46	532110940	Meter Hour
47	817011008	Screw #10-24 x 1/2
50	532154959	Switch, PTO
51	532140405	Ring Retainer PTO
61	532138101	Light Pkg Asm
62	532110143	Bulb, Light Pkg.
81	532109748	Relay Asm.

**NOTE:** All component dimensions given in U.S. inches  
1 inch = 25.4 mm

# REPAIR PARTS

TRACTOR - MODEL NO. GTH200 (954140046D), PRODUCT NO. 954 14 00-46

## CHASSIS AND ENCLOSURES



## REPAIR PARTS

TRACTOR - MODEL NO. GTH200 (954140046D), PRODUCT NO. 954 14 00-46

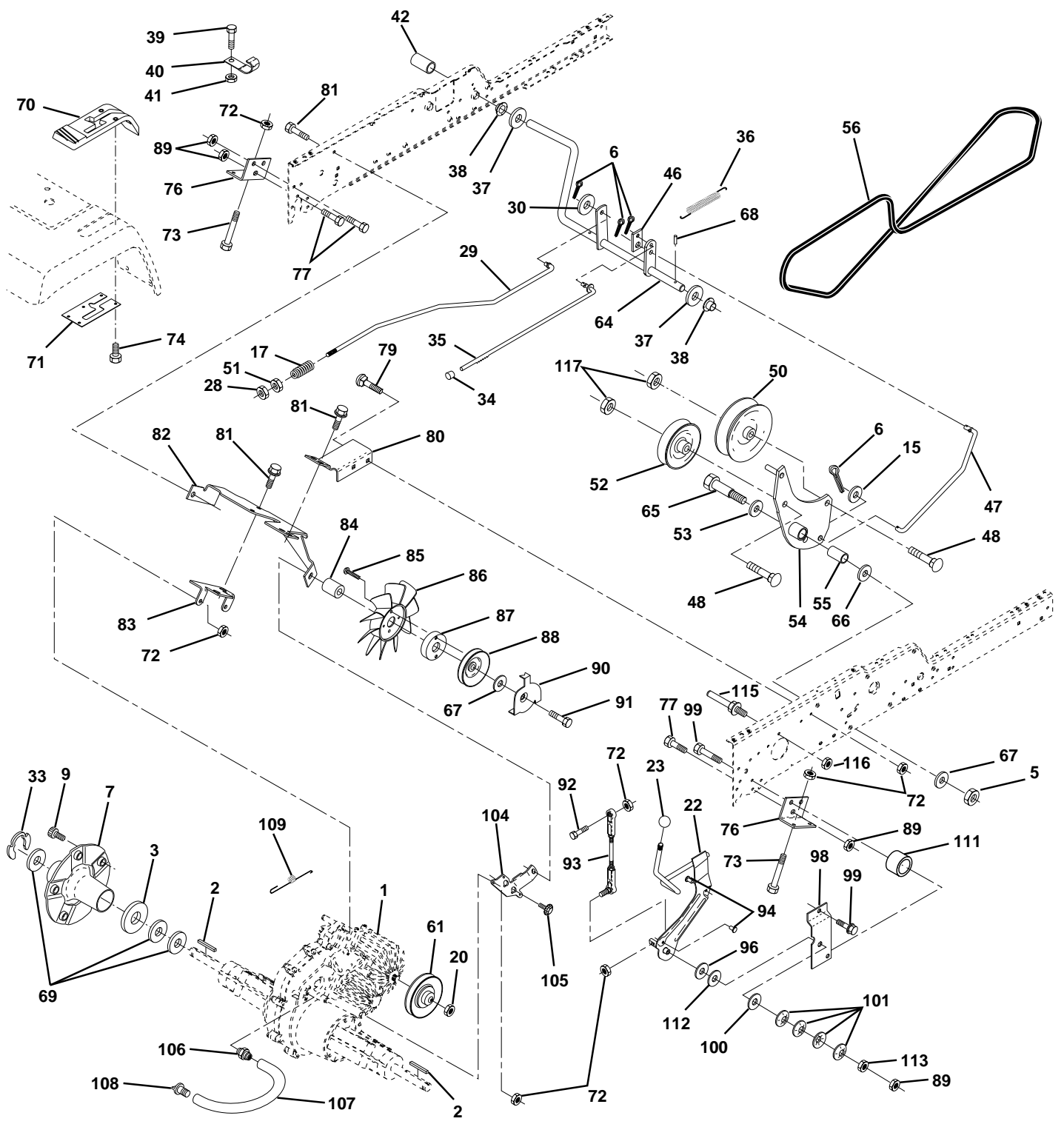
### CHASSIS AND ENCLOSURES

KEY NO.	PART NO.	DESCRIPTION	KEY NO.	PART NO.	DESCRIPTION
1	532150253	Rail, Frame RH	58	532137113	Bracket Asm., Fender
2	532140506	Drawbar, Gt	60	817490620	Screw Thdrol 3/8-16 x 1-1/4
3	532150478	Panel Asm., Side LH	63	819131614	Washer 13/32 x 1 x 14 Ga.
4	873800700	Nut, Lock Hex 7/16 Unc	68	817490508	Screw, Thdrol 5/16-18 x 1/2
5	532140452	Dash, Plastic Black	70	532137159	Guide, Belt Mid Span
6	532157882	Dash 1-PCS, Lower	72	874180512	Screw, Mach Trhd 5/16-18 x 3/4
7	817720408	Screw, Thd Cut 1/4-20 x 1/2	74	874191008	Screw, Machine #10-24
8	532145166	Support, Battery	76	532125004	Nut, Weld #10-24
9	532108067	Nut Pal	79	874981020	Screw, Machine #10-24 x 1/4
14	532150477	Hood Asm., Pnt	80	532007206	Spacer, Split
15	<b>532168214</b>	Lens, Headlight LH	82	873731000	Nut #10-24
16	532121794	Cover, Access	84	532142992	Stop, Over Center 44" 20/23" T. 94
17	817490612	Screw, Thdrol 3/8-16 x 3/4	86	874760716	Bolt, Fin Hex 7/16-14 Unc x 1
18	532157236	Grille	90	811050600	Washer, Lock External Tooth 3/8
19	819131312	Washer 13/32 x 13/16 x 12 Ga.	91	532156586	Rail, Frame Lh
20	874760616	Bolt, Fin Hex 3/8-16 x 1	92	<b>532168203</b>	Plate, Silkscreen Dash
21	873680600	Nut, Crownlock 3/8-16 Unc	98	532140503	Bracket Chassis Skid
22	532150479	Panel Asm., Side RH	99	532140871	Rod Asm. Bypass
23	817490616	Screw Thdrol. 3/8-16 x 1 Ty-TT	100	532124236	Cap Brake Parking Red
24	532147202	Footrest, RH	101	817490628	Screw Thdrol. 3/8-16 x 1-3/4
25	<b>532168213</b>	Lens Headlight RH	102	532124788	Retainer Spring 1"
27	873220400	Nut Fin Hex 1/4-20	103	532142273	Bracket Lock Bypass
28	532147203	Footrest, LH	106	532138776	Screw Thdrol. Hex Hd Zinc Mur
29	532145205	Bracket, Support Dash	107	532109808	Latch, Chute Blk
30	532145052	Saddle	108	532110356	Cap, Snap Black
31	532161419	Brace, Support Steering	109	532110357	Cap, Washer Snap
32	532161327	Bracket Asm., Frame Pivot Lh	110	532150200	Pivot Asm. Grille/Hood Husq. VGT
33	532161326	Bracket Asm., Frame Pivot Rh	112	532060867	Nut, Acorn, Hex #10-24
34	532142131	Bracket, Engine Support Rear	114	872140610	Bolt, Carriage 3/8-16 x 1-1/4
35	819111116	Washer 11/32 x 11/16 x 16 Ga.	115	532150300	Bumper Asm.
36	874780512	Bolt, Fin Hex 5/16-18 x 3/4	116	532141461	Bracket Extension Bumper
37	<b>532169426</b>	Fender, Pnt.	117	532143679	Plug Plastic
38	810040400	Washer, Lock 1/4	118	819131316	Washer 13/32 x 13/16 x 16 Ga.
39	532136961	Bracket, Axle Front	119	873680600	Nut Crownlock 3/8-16 UNC
40	532156111	Bracket, Support Axle/Engine	130	<b>532164863</b>	Screw, HwHd Hi-Lo #13-16 x 3/4
43	532136939	Bracket, Spnsn Front Lh	131	532150195	Bracket Support Hood/Panel YP
44	532136940	Bracket, Spnsn Front Rh	132	874291006	Screw Truss Hd. #10-24 x 3/8
45	532154913	Bracket Asm., Susp Chassis Rh	138	532166625	Cupholder YTG Grey
46	819091216	Washer 9/32 x 3/4 x 16 Ga.	139	532161330	Bolt, Shoulder 5/16-18
47	817490608	Screw Thdrol 3/8-16 x 1/2	--	532125085	Plug, Hole
50	532152728	Bracket, Chassis Front			
52	873800500	Locknut, Hex W/Ins 5/16-18 Unc			
54	873510500	Nut 5/16-18			
56	532154914	Bracket Asm., Susp Chassis Lh			

**NOTE:** All component dimensions given in U.S. inches  
1 inch = 25.4 mm

# REPAIR PARTS

TRACTOR - MODEL NO. GTH200 (954140046D), PRODUCT NO. 954 14 00-46  
GROUND DRIVE



**REPAIR PARTS**

**TRACTOR - MODEL NO. GTH200 (954140046D), PRODUCT NO. 954 14 00-46**

**GROUND DRIVE**

KEY NO.	PART NO.	DESCRIPTION	KEY NO.	PART NO.	DESCRIPTION
1	-----	Transaxle Hydro 222-3010 (Order parts from transaxle mfg.)	69	532123800	Washer
2	532007070	Key 1/4 x 2.5	70	532166624	Console Hydro Fender
3	532007563	Washer Thrust Axle Harden	71	532151179	Plate Console Shift
5	873680600	Nut Crownlock 3/8-16	72	873800500	Locknut Hex W/Washer Insert
6	876020412	Pin Cotter 1/8 x 3/4	73	874490548	Bolt Hex Flghd 5/16-18 x 3 Gr. 5
7	532140507	Wheel Hub Asm.	74	532142432	Screw, Hex Wsh Hi-Lo 1/4-1/2
9	532140080	Bolt Hub	76	532140481	Bracket Transaxle
15	819131316	Washer 13/32 x 13/16 x 16 Ga.	77	874760716	Bolt Fin Hex 7/16-14 x 1
17	532140921	Spring Rod Brake	79	872110505	Bolt Carriage 5/16-18 x 5/8
20	873940800	Nut Hex Jam Toplock 1/2-20	80	532140484	Bracket Torque RH
22	532156103	Shaft Arm Asm	81	817490612	Screw Thdrol 3/8-16 x 3/4
23	532121274	Knob	82	532150586	Bracket Mount Torque/Fan
28	873350600	Nut, Hex Jam 3/8-16	83	532140479	Strap Torque Mid
29	532140494	Brake Rod	84	532140490	Spacer
30	819131616	Washer 13/32 x 1 x 16Ga	85	817541020	Screw #10-24 x 1-1/4
33	812000053	Ring E	86	532140462	Fan 7" Hydro
34	532071673	Cap Plunger	87	532140491	Adapter Fan
35	532137648	Rod Parking Brake	88	532161592	Pulley Idler
36	532149412	Spring Drive Ground	89	873680700	Nut, Crownlock 7/16-14
37	532121749	Washer 25/32 x 1-1/4 x 16 Ga.	90	532140489	Keeper Belt
38	532150035	Nyliner	91	817490644	Screw Thdrol 3/8-16 x 2-3/4
39	874321016	Screw Fin #10-24 x 1	92	874760520	Bolt Fin Hex 5/16-18 x 1.75
40	532005304	Actuator Interlock Switch	93	532140502	Link Shift Asm
41	873661000	Nut Lock #10-24 Unc	94	532133835	Fastner Christmas Tree
42	532123533	Cover Pedal	96	532141103	Washer Nickel Plated
46	532145170	Retainer Spring	98	532141004	Bracket Shift
47	532138228	Clutch Rod	99	817490624	Screw Thdrol 3/8-16 x 1-1/2
48	872110612	Bolt Carriage 3/8-16 x 1-1/2 Gr. 5	100	532126881	Washer Compression
50	532131494	Pulley Idler Flat	101	532156106	Washer Bellville
51	873800600	Nut Lock Hex 3/8-16	104	532140480	Bracket Idler
52	532139123	Pulley Idler Grooved	105	817580408	Screw Tap 1/4-20 x 1/2
53	532000207	Washer Hardened	106	532142918	O-Ring Asm. Hydro Gear
54	532161590	Clutch Arm Asm	107	532154739	Line Fuel Hydro
55	532105706	Bearing, Idler	108	532142917	Cap Vent
56	532140218	V-Belt	109	532140929	Spring Return Brake
58	874760724	Bolt Fin Hex 7/16-14 x 1-1/2	111	532156240	Spacer Shift Lever VGTH
61	532140488	Pullery Transaxle	112	532156104	Washer Nylon High Temp
64	532154752	Shaft Asm Brake Parking Clutch	113	873220700	Nut Hex ASF 7/16-14 UNC
65	532067609	Bolt Shoulder	115	532123405	Keeper Belt Gnd Dr.
66	532140296	Washer Hardened	116	873900500	Nut Lock Hex Flange 5/16-18
67	819131312	Washer 13/32 x 13/16 x 12 Ga	117	873900600	Nut Lock Flg. 3/8-16 UNC
68	532005142	Pin Roll			

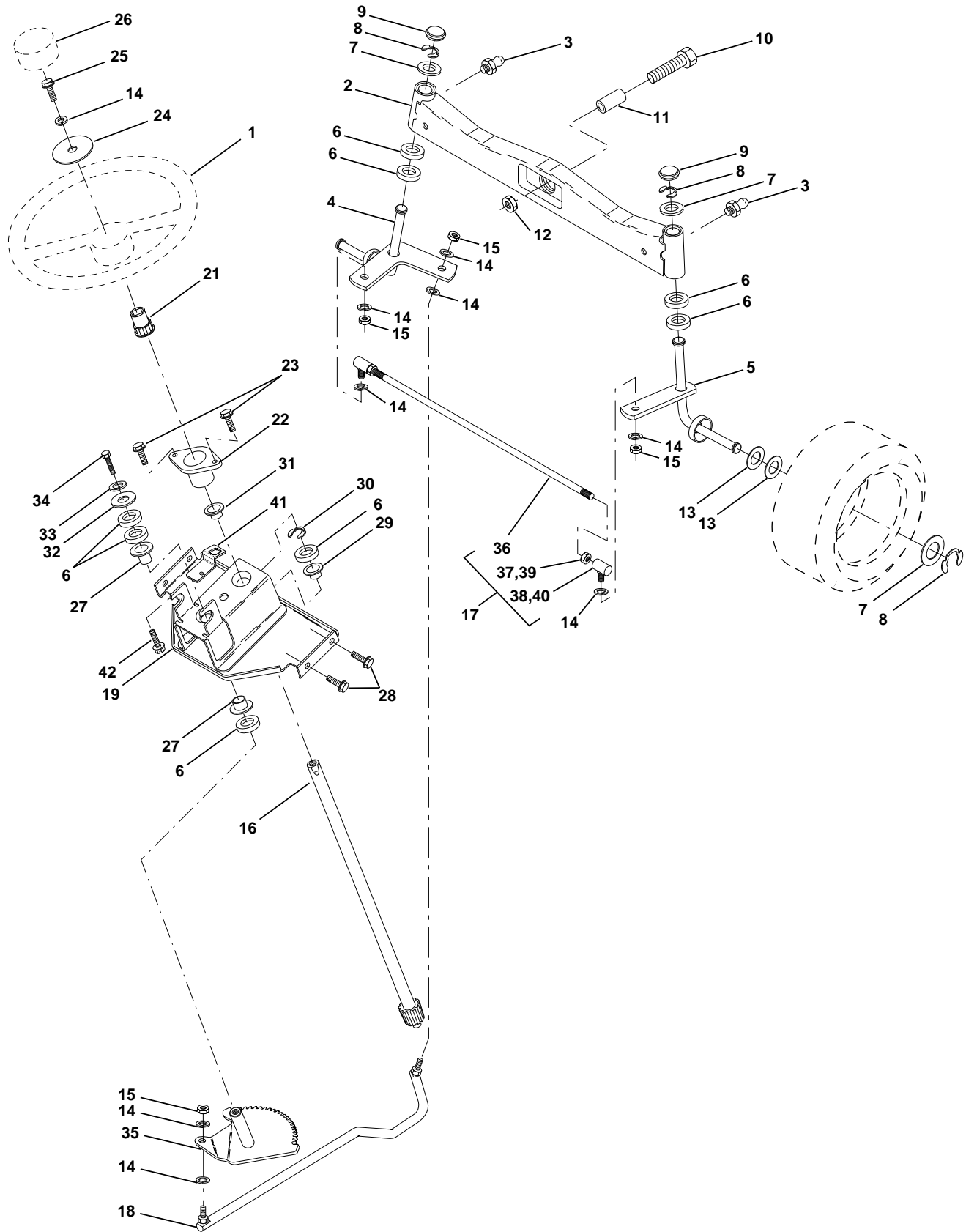
**NOTE:** All component dimensions given in U.S. inches  
1 inch = 25.4 mm



# REPAIR PARTS

TRACTOR - MODEL NO. GTH200 (954140046D), PRODUCT NO. 954 14 00-46

## STEERING ASSEMBLY



**REPAIR PARTS**

**TRACTOR - MODEL NO. GTH200 (954140046D), PRODUCT NO. 954 14 00-46**

**STEERING ASSEMBLY**

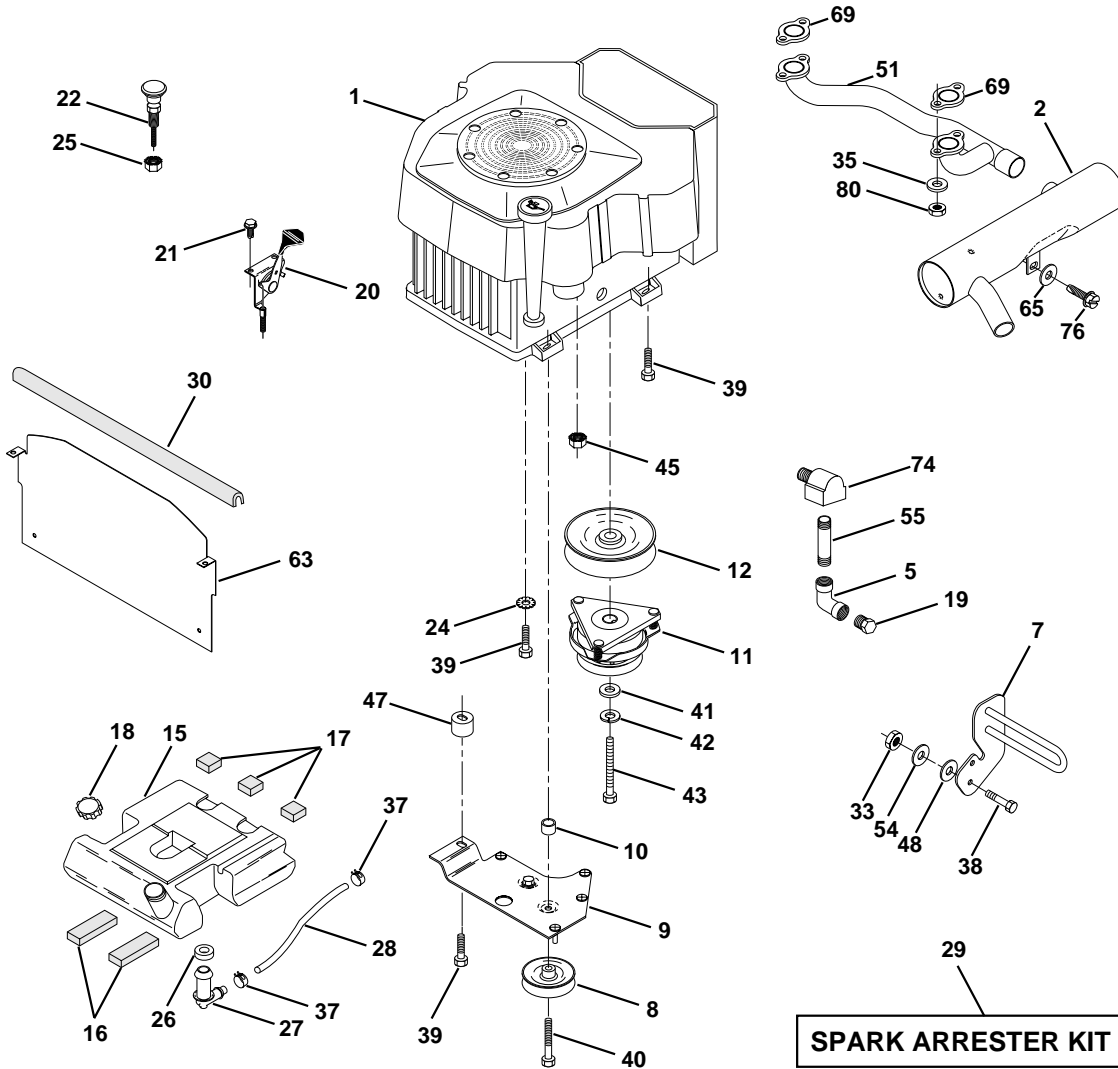
KEY NO.	PART NO.	DESCRIPTION
1	532166627	Wheel, Steering
2	532137094	Axle Asm., Front
3	532124836	Fitting, Grease
4	532161849	Spindle Asm, LH
5	532161848	Spindle Asm., RH
6	532124931	Bearing, Race Thrust Harden
7	532121748	Washer 25/32 x 1-5/8 x 16 Ga.
8	812000029	Ring, Klip #T5304-75
9	532121232	Cap, Spindle
10	874781044	Bolt, Fin Hex 5/8-11 x 2-3/4
11	532136518	Spacer, Brg. Axle Front
12	873901000	Nut, Lock Flange 5/8-11 Unc
13	532121749	Washer 25/32 x 1-1/4 x 16 Ga.
14	810040600	Washer, Lock Hvy Hlcl Spr 3/8
15	532124701	Nut, Lock Center 3/8-24 Unf
16	532145103	Shaft Asm., Steering
17	532137347	Rod Asm., Tie Ball J Ball Vgt (Inc. Key No. 36-40)
18	532137155	Draglink, Ball Joint Solid Vgt
19	532156011	Support Asm., Steering Vgt
21	532159945	Adapter, Wheel Steering
22	532155105	Bushing, Strg.
23	532152927	Screw
24	819132411	Washer 13/32 x 1-1/20 x 11 Ga.
25	874780616	Bolt, Fin Hex 3/8-16 x 1 Gr. 5
26	532166626	Cap, Wheel Steering
27	532124937	Bearing, Col. Strg.
28	817490612	Screw Thdrol 3/8-16 x 3/4
29	532104239	Bearing, Flange
30	812000034	Ring, Klip Truarc #5304-75
31	532138136	Bushing, Nyliner Snap
32	819111610	Washer 11/32 x 1 x 10 Ga.
33	810040500	Washer, Lock Hvy Hlcl Spr 5/16
34	874760512	Bolt, Hex Hd 5/16-18 x 3/4
35	532138059	Gear, Sector Steering
36	532137156	Tie Rod
37	873360600	Jam Nut RH Thread
38	532109850	Joint Asm. Ball RH Thread
39	873700600	Jam Nut LH Thread
40	532109851	Joint Asm. Ball LH Thread
41	532155246	Bracket Switch Interlock VGT 97
42	817490508	Screw Thdrol 5/16-18 x 1/2 TYT

**NOTE:** All component dimensions given in U.S. inches  
1 inch = 25.4 mm

# REPAIR PARTS

TRACTOR - MODEL NO. GTH200 (954140046D), PRODUCT NO. 954 14 00-46

## ENGINE



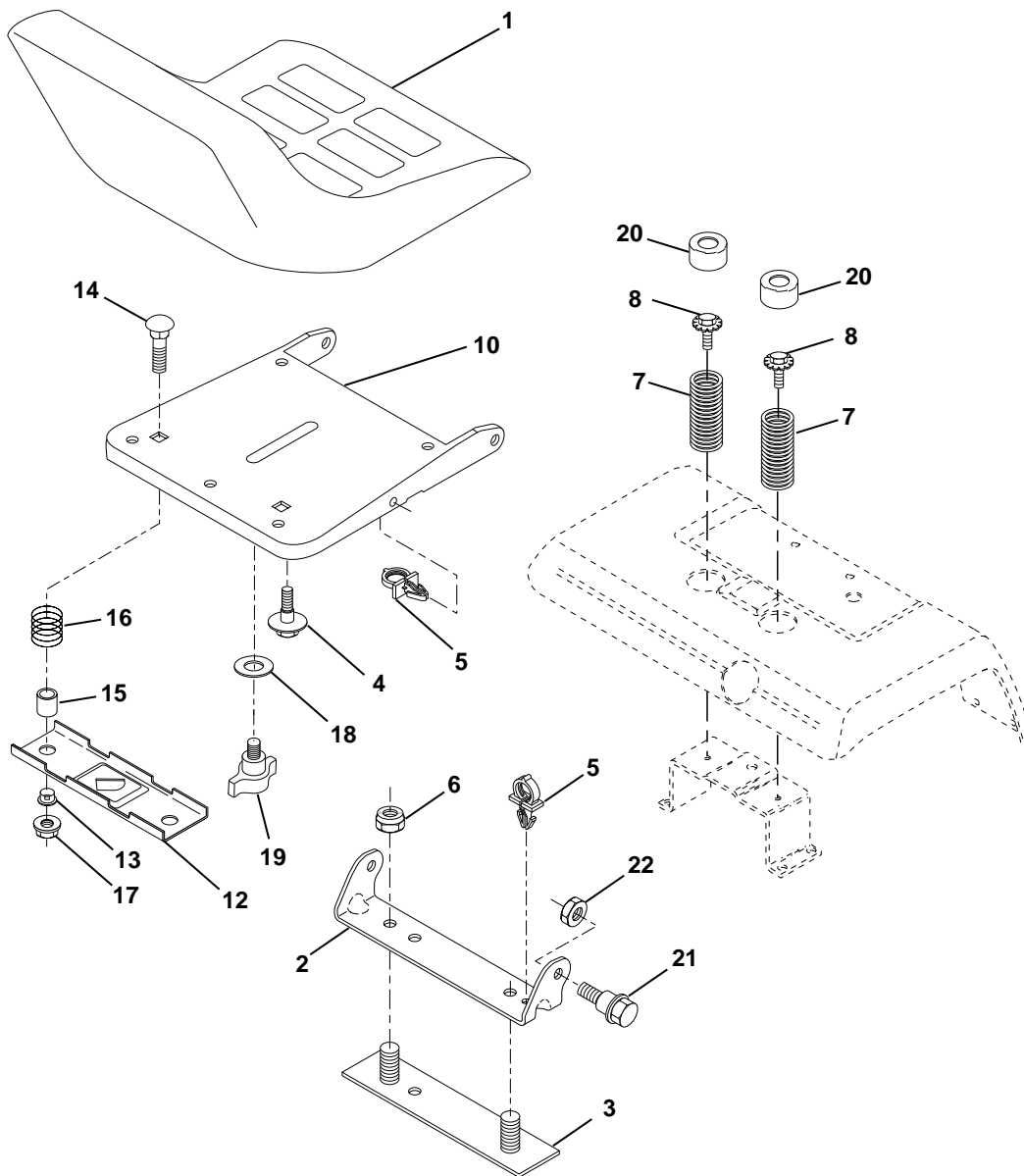
KEY NO.	PART NO.	DESCRIPTION
1	-----	Engine Kohler, Model No. CV20S (Order parts from engine manufacturer)
2	<b>532161063</b>	Muffler Side 1-1/4
5	813200300	Elbow STD 90 Degree 3/8-18 NPT
7	532151396	Muffler Assembly Guard
8	532121361	Pulley V-Idler
9	532150828	Keeper Asm Belt Engine VGT 96
10	532105432	Bushing
11	532140923	Clutch Electric
12	532143996	Pulley Engine VGT Elect Clutch
15	532151346	Tank Fuel Rear
16	532109227	Pad Spacer
17	532106082	Pad Spacer
18	532140527	Cap Asm Fuel W/Sym Vented
19	813290300	Plug Oil Drain (Order From Engine Manufacturer)
20	532132747	Control Throttle
21	817720410	Screw Hex Thd Cut 1/4-20 X 5/8
22	532132781	Control Choke
24	811050600	Washer Ext Tooth 3/8
25	873920600	Nut Keys 3/8 - 24 UNF
26	532124952	Bushing
27	532139277	Stem Tank Fuel
28	532124703	Fuel Line

KEY NO.	PART NO.	DESCRIPTION
29	532132920	Spark Arrester Kit
30	532161547	Extrusion Hood
33	873800600	Nut, Hex W/Ins. 3/8-16 UNC
35	810010500	Washer Split
37	532123487	Clamp Hose
38	874780624	Bolt, Fin Hex 3/8-16 UNC x 1-1/2
39	817490636	Screw TT 3/8-16 x 2-1/4 UNC
40	817490664	Screw TT 3/8-16 x 4 UNC
41	532126197	Washer 1-1/2 OD X 15/32 ID X .250
42	810040700	Washer Lock 7/16
43	532150280	Bolt Hex 7/16-20 X 4-1/4 Ga 5
45	532128861	Nut Flange 1/4-20 Starter Nut
47	532142040	Spacer Engine
48	819132007	Washer 13/32 x 1-1/4 x 7 Ga.
51	<b>532161231</b>	Manifold Pipe VGT CV 1-1/4
54	819131414	Washer Flat 13/32 x 7/8 x 14 Ga.
55	813280336	Nipple, Pipe 4-1/2
63	532145549	Shield, Heat VGT YP/Husq.
65	819131614	Washer 13/32 x 1 x 14 Ga.
69	532163307	Gasket Kohler
74	532162295	Elbow Street Brass
76	817490612	Screw Thdrol 3/8-16 x 3/4 TY-TT
80	532163305	Nut Flange M8-1.25

**NOTE:** All component dimensions given in U.S. inches  
1 inch = 25.4 mm

## REPAIR PARTS

TRACTOR - MODEL NO. GTH200 (954140046D), PRODUCT NO. 954 14 00-46  
SEAT ASSEMBLY



KEY NO.	PART NO.	DESCRIPTION
1	532141525	Seat
2	532140551	Bracket, Pivot Seat
3	532140675	Strap, Fender
4	532127018	Bolt, Shoulder 5/16-18 X .62
5	532145006	Clip, Push In Hinged
6	873800600	Nut, Lock Hex W/Ins. 3/8-16 Unc
7	532124181	Spring, Seat Cprsn
8	532150176	Bolt 5/16-18unc x 3/4 W/Sems
10	532155925	Pan, Seat
12	532121246	Bracket, Mounting Switch
13	532121248	Bushing, Snap

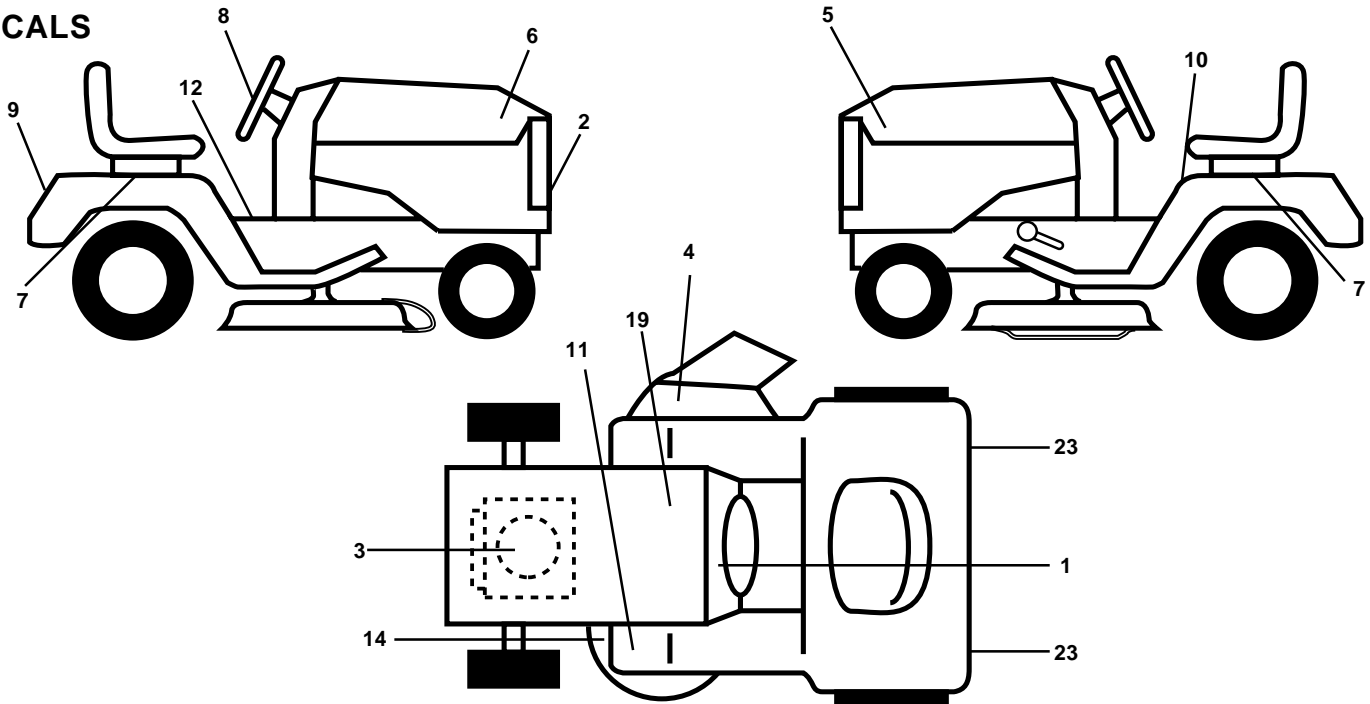
KEY NO.	PART NO.	DESCRIPTION
14	872050412	Bolt, Carriage 1/4-20 X 1-1/2
15	532121249	Spacer, Split
16	532123740	Spring, Cprsn
17	532123976	Nut, Lock 1/4 Lge Flg Gr. 5
18	819171912	Washer 17/32 X 1-3/16 X 12 Ga.
19	<b>532166369</b>	Knob, Seat
20	532124238	Cap, Spring Seat
21	532153236	Bolt, Shoulder 5/16-18 Unc-2A
22	873680500	Nut, Crownlock 5/16-18 Unc

**NOTE:** All component dimensions given in U.S. inches  
1 inch = 25.4 mm

## REPAIR PARTS

TRACTOR - MODEL NO. GTH200 (954140046D), PRODUCT NO. 954 14 00-46

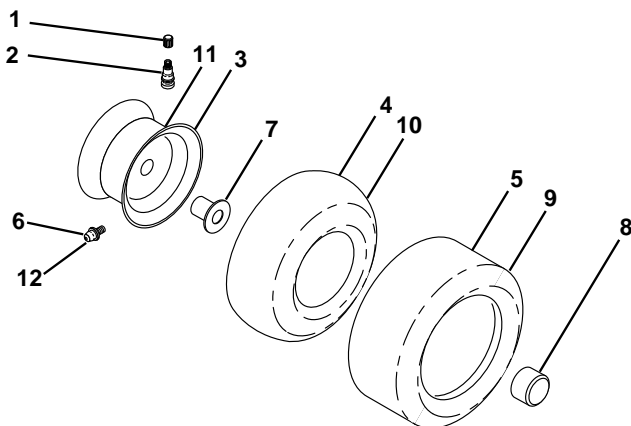
### DECALS



KEY NO.	PART NO.	DESCRIPTION
1	532156964	Decal, Operating Instruction
2	532150616	Decal, Grille Husqvarna
3	532166105	Decal, HP Engine
4	532137259	Decal, Warning, Mult. Lang.
5	532157327	Decal, Hood LH GTH200
6	532157326	Decal, Hood RH GTH200
7	532155862	Decal, Fender Automatic Husq.
8	532165948	Decal, SW Deluxe Husq.
9	532150617	Decal, Fender
10	532157140	Decal, Danger

KEY NO.	PART NO.	DESCRIPTION
11	532101892	Decal, Clutch/Brake
12	532140837	Decal, Brake Parking Saddle
14	532160397	Decal, V-Belt Schematic
19	532145005	Decal, Battery
23	532106202	Reflector, Taillight
--	532138311	Decal, Handle Lft Height Adjust (Lift Handle)
--	532157199	Pad Ftrest Rbr Sq Generic
--	532142342	Decal, Drawbar Cntrl Mvt Hyd Gt
--	<b>532167834</b>	Manual, Owner's (English)
--	<b>532167835</b>	Manual, Owner's (French)

### WHEELS & TIRES



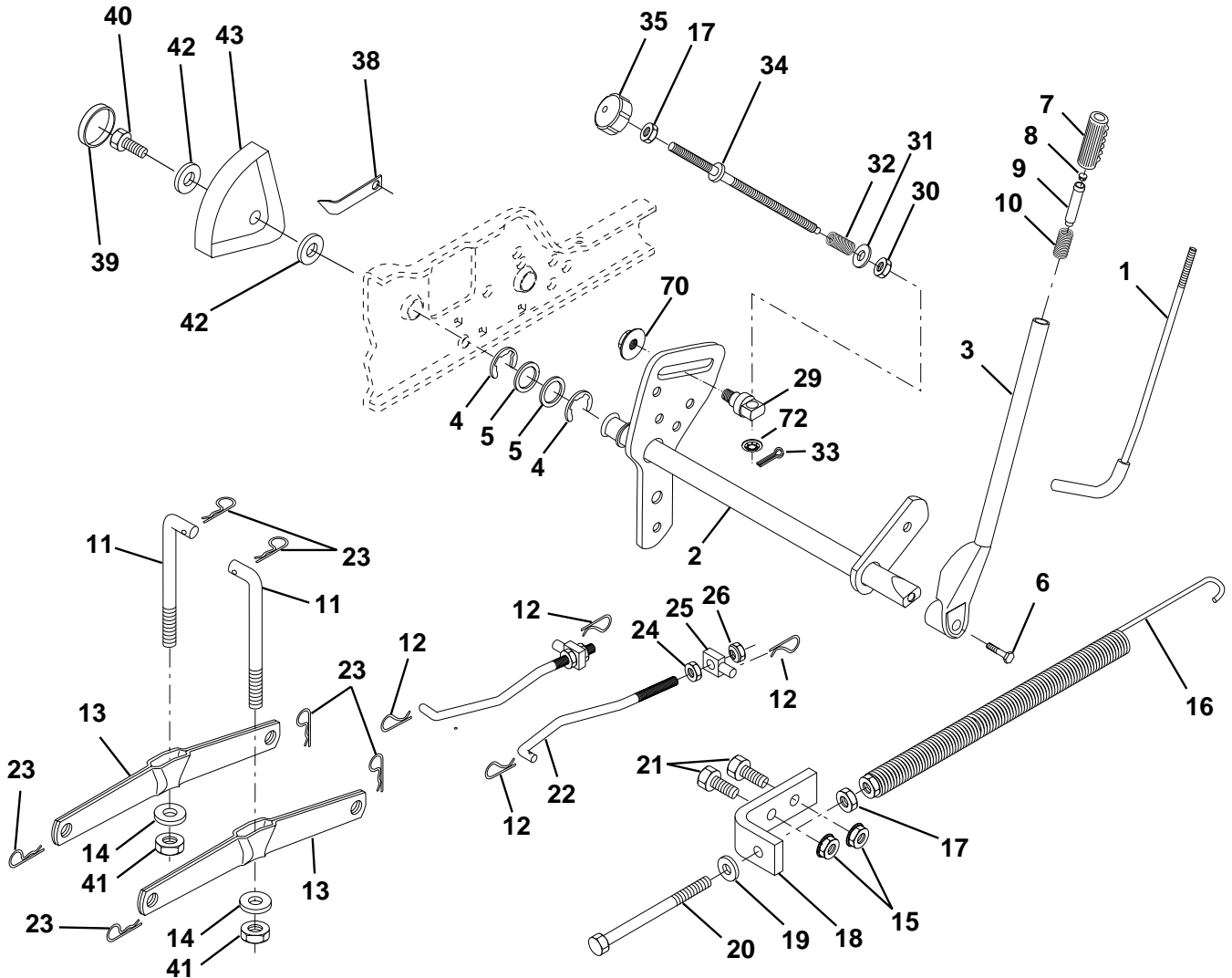
KEY NO.	PART NO.	DESCRIPTION
1	532059192	Cap, Valve, Tire
2	532065139	Stem, Valve
3	532144509	Rim Assembly, Front
4	532008134	Tube, Front (Service Item Only)
5	532106230	Tire, Front
6	532124860	Fitting, Grease
7	532124959	Bearing, Flange (Front Wheel Only)
8	532104757	Cap, Hub, Axle Blk.
9	532105588	Tire, Rear
10	532007154	Tube, Rear (Service Item Only)
11	532144510	Rim Assembly, Rear
12	532124957	Fitting, Grease
--	532144334	Sealant, Tire (10 oz. Tube)

**NOTE:** All component dimensions given in U.S. inches  
1 inch = 25.4 mm

## REPAIR PARTS

TRACTOR - MODEL NO. GTH200 (954140046D), PRODUCT NO. 954 14 00-46

### LIFT ASSEMBLY



KEY NO.	PART NO.	DESCRIPTION
1	532121006	Rod Asm., Lever
2	532159187	Shaft Asm., Lift Vgt
3	532159189	Lever Asm., Lift Rh
4	812000022	E-Ring Truarc#5133-87
5	819292016	Washer 29/32 x 1-1/4 x 16 Ga.
6	874780624	Bolt, Fin Hex 3/8-16 x 1-1/2
7	532125631	Grip, Handle Fluted
8	532124526	Button, Plunger
9	532122364	Plunger, Lever Lift
10	532124874	Spring 2-1/8"
11	532146704	Link Lift
12	532163552	Retainer, Spring
13	532139868	Arm, Suspension Vgt
14	532140302	Bearing
15	873680600	Nut, Crownlock 3/8-16 Unc
16	532124687	Spring Asm., Assist Lift
17	873350600	Nut, Hex Jam 3/8-16 Unc
18	532143363	Bracket, Spring Assist
19	819131316	Washer 13/32 x 13/16 x 16 Ga.
20	532005328	Bolt, Adjust Spring Assist
21	874760616	Bolt, Fin Hex 3/8-16 x 1
22	532127218	Link, Front

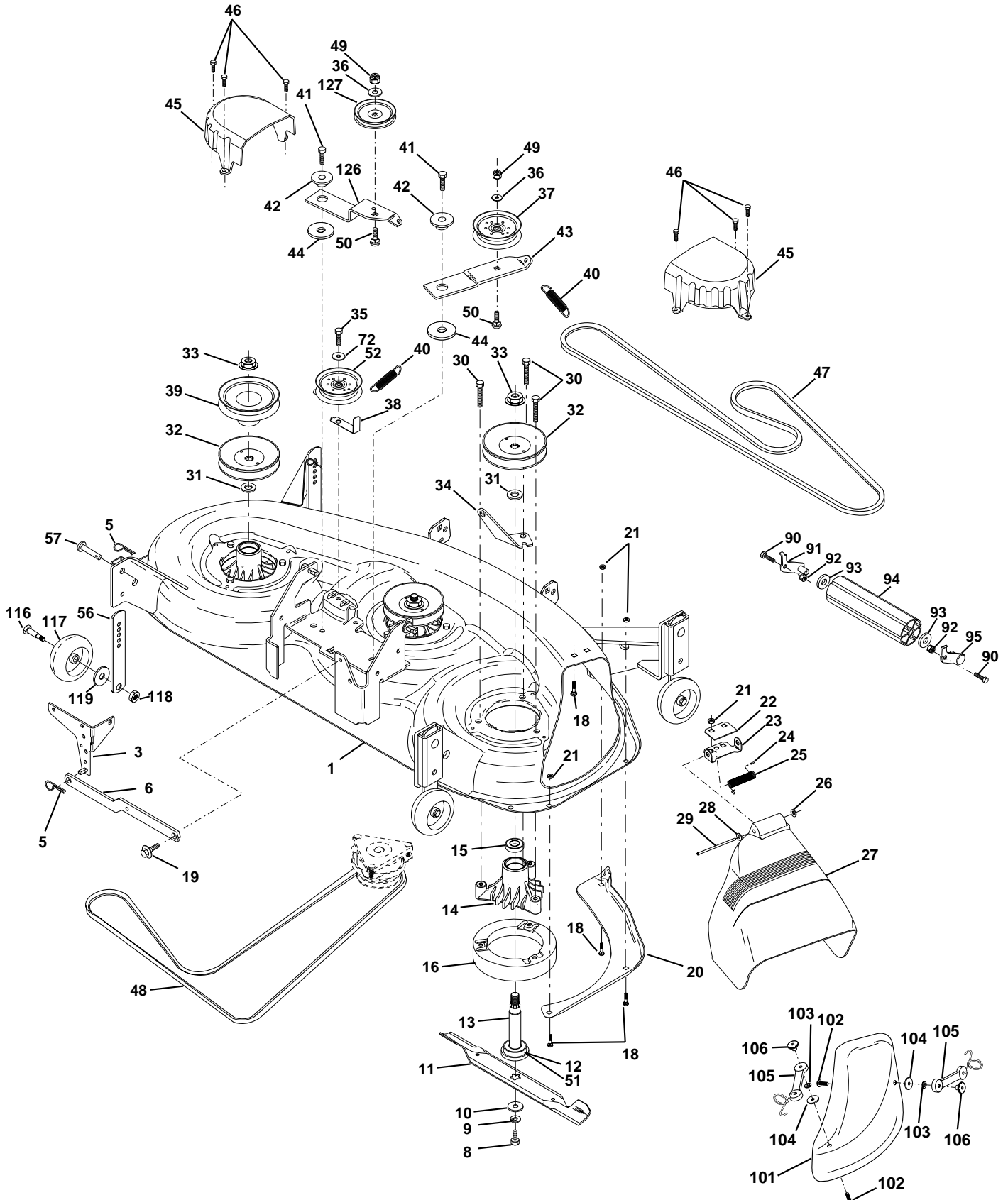
KEY NO.	PART NO.	DESCRIPTION
23	532124670	Retainer, Spring
24	873350800	Nut, Jam Hex 1/2-13 Unc
25	532130171	Trunnion
26	873680800	Nut, Crownlock 1/2-13 Unc
29	532150233	Trunnion, Infin Height
30	532110807	Nut, Special
31	819131016	Washer 13/32 x 5/8 x 16 Ga.
32	532137150	Spring, Compression Inf Hgt
33	876020308	Pin, Cotter 3/32 x 1/2
34	532137167	Rod, Adj Lift
35	532138057	Knob, Inf 3/8-16 Unc
38	532155097	Pointer, Height Indicator
39	532123935	Plug, Hole
40	817490512	Screw Thdrol 5/16-18 x 3/4
41	873540600	Nut, Crownlock 3/8-24
42	819112410	Washer 11/32 x 1-1/2 x 10 Ga.
43	532123934	Scale, Indicator Height
70	532145212	Nut Hex Flange Lock
72	532110452	Nut Push Phos & Oil

**NOTE:** All component dimensions given in U.S. inches  
1 inch = 25.4 mm

# REPAIR PARTS

TRACTOR - MODEL NO. GTH200 (954140046D), PRODUCT NO. 954 14 00-46

## MOWER DECK



## REPAIR PARTS

TRACTOR - MODEL NO. GTH200 (954140046D), PRODUCT NO. 954 14 00-46

### MOWER DECK

KEY NO.	PART NO.	DESCRIPTION	KEY NO.	PART NO.	DESCRIPTION
1	532164212	Deck Asm., Mower 46"	44	532133943	Washer, Hardened
3	532138457	Bracket Asm., Sway Bar	45	532145059	Cover, Mandrel Deck
5	532124670	Retainer Spring	46	532137729	Screw, Thdroll. 1/4-20 x 5/8
6	532130832	Arm, Suspension, Rear (Sway Bar)	47	532144959	V-Belt, Mower, Secondary
8	532850857	Bolt, Patched 3/8-24 x 1-1/4 Gr. 8	48	532148763	V-Belt, Mower, Primary
9	810030600	Washer, Lock Hvy., Unplated 3/8	49	873680600	Nut, Crownlock 3/8-16 UNC
10	532140296	Washer, Hard Blade, Mower Vented	50	872110612	Bolt, Carriage 3/8-16 x 1-1/2 Gr. 5
11	532163819	Blade, 46" Mulching	51	532153390	Washer Felt
12	532129895	Bearing, Ball, Mandrel #6204	52	532156493	Pulley Idler Flat 46 PRI drive
13	532137553	Shaft Asm. w/Lower Bearing (Includes Key No. 12)	56	532155986	Bar Pnt Adjusting Wheel Gauge
14	532137152	Housing, Mandrel	57	532156941	Pin Head Rivet
15	532110485	Bearing, Ball, Mandrel	72	819131616	Washer 13/32 x 16 Ga.
16	532140329	Stripper, Mower Round	90	874760616	Bolt Fin Hex 3/8-16 x 1
18	872140505	Bolt, Carriage 5/16-18 x 5/8	91	532132274	Bracket Asm Noseroller LH
19	532132827	Bolt, Hex Head, Shoulder 5/16-18	92	873800600	Nut Lock Hex W/Ins 3/8-16 UNC
20	532145055	Baffle, Vortex Mower 46"	93	819171416	Washer 17/32 x 7/8 x 16 Ga.
21	873680500	Nut, Crownlock 5/16-18 UNC	94	532132264	Roller Nose
22	532134753	Stiffener, Bracket	95	532132273	Bracket Asm Noseroller RH
23	532131267	Bracket, Deflector	101	532145579	Cover, Mulching
24	532105304	Cap, Sleeve	102	871161010	Screw
25	532149287	Spring, Torsion, Deflector	103	810071000	Washer, Lock #10
26	532110452	Nut, Push	104	819061216	Washer
27	532157788	Shield, Deflector Mower	105	532160793	Latch Asm. Mulch/Bagger
28	819111016	Washer 11/32 x 5/8 x 16 Ga.	106	532125004	Nut, Weld
29	532131491	Rod, Hinge	116	532137644	Bolt, Shoulder
30	532157722	Screw, Thdroll Washer Hd	117	532133957	Gauge Wheel, Wide
31	532129963	Washer, Spacer Mower Vented	118	873930600	Nut, Centerlock 3/8-16 UNC
32	532153531	Pulley, Mandrel	119	819121414	Washer 3/8 x 7/8 x 14 Ga.
33	532137266	Nut, Flg. Top Lock Cntr. 9/16	126	532144948	Arm, Idler, Primary Deck 46"
34	532144945	Anchor, Spring Deck 46"	127	532146763	Pulley, Idler, V-Groove Dim. 4.25
35	817490628	Screw, Thdroll 3/8-16 x 1-3/4 Tytt	--	532143651	Mandrel Asm 44"/50" Service (Includes Key No.s 8-10, 12-15, 31 and 33)
36	819131316	Washer 13/32 x 13/16 x 16 Ga.	--	532166208	Deck Complete (Std. Deck-Order separately mulcher plate and gauge wheel components Key Nos. 101- 106 and 116-118)
37	532131494	Pulley, Idler, Flat			
38	532156086	Keeper, Belt, Idler			
39	532144917	Pulley, Idler, Driven			
40	532137273	Spring, Secondary 44/46/50 Vent			
41	817490620	Screw, Thdroll 3/8-16 x 1-1/4 Tytt			
42	532122052	Spacer, Retainer			
43	532144949	Arm, Idler Secondary			

**NOTE:** All component dimensions given in U.S. inches  
1 inch = 25.4 mm