

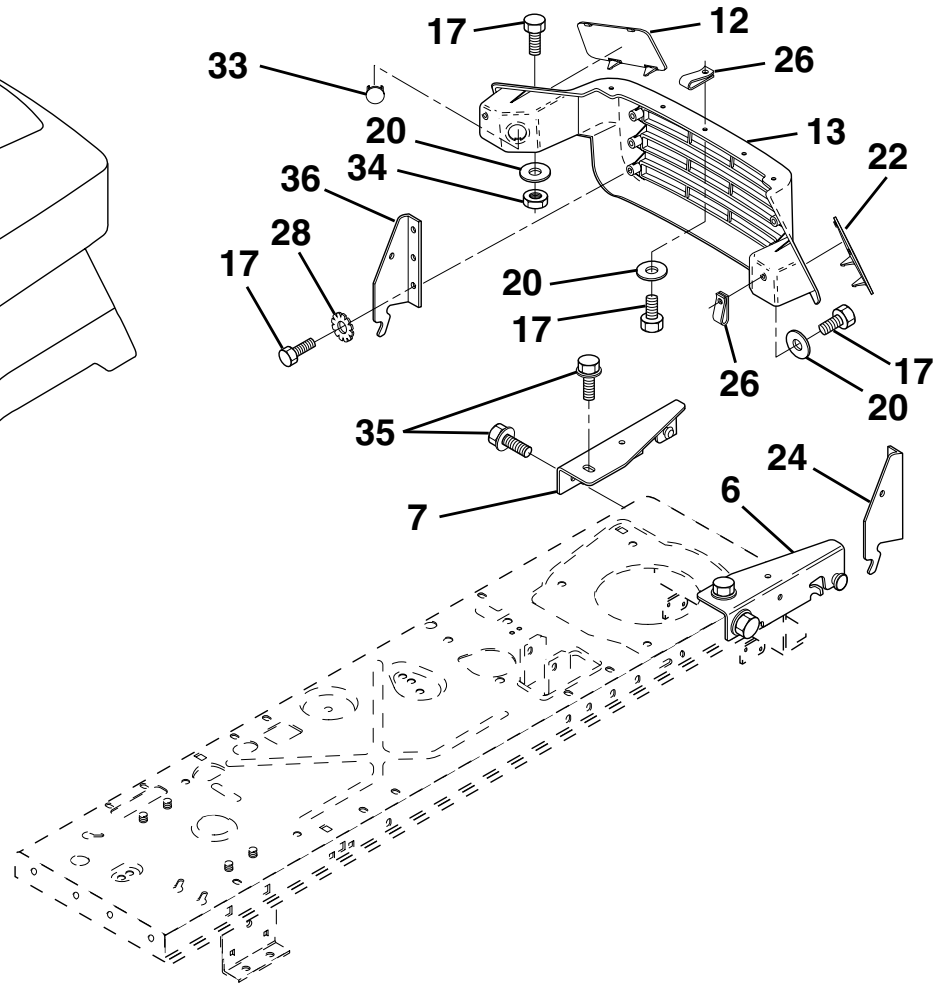
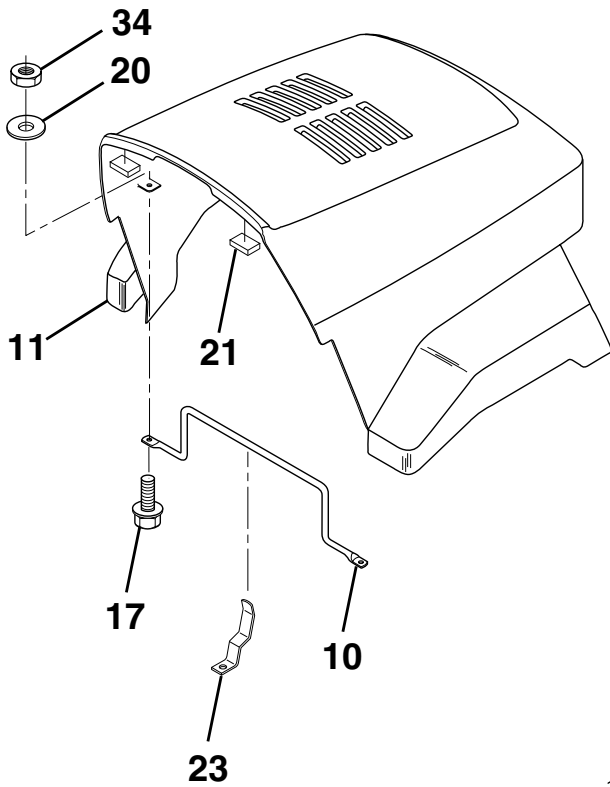
For Husqvarna Parts Call 606-678-9623 or 606-561-4983

ILLUSTRATED PARTS BREAKDOWN

**HUSQVARNA
12.5 HP, 36" LAWN RIDER
MODEL NO. LT125 (HE12536C)
954 17 00-01**

For Husqvarna Parts Call 606-678-9623 or 606-561-4983 REPAIR PARTS

TRACTOR - - MODEL NO. LT125 (HE12536C), PRODUCT NO. 954 17 00-01
HOOD



KEY NO.	PART NO.	DESCRIPTION
6	532140051	Bracket Asm., Pivot Hood RH
7	532140050	Bracket Asm., Pivot Hood LH
10	532130850	Brace, Hood
11	532140142	Hood
12	532157066	Lens, LH
13	532156871	Grille
17	874780410	Bolt, Fin Hex 1/4-20 x 5/8
20	819091016	Washer, Flat 1/4
21	532126938	Bumper, Hood
22	532157066	Lens, RH

KEY NO.	PART NO.	DESCRIPTION
23	532139969	Latch, Hood
24	532142873	Bracket, Pivot Hood RH
26	532052921	Clip, Tinnerman
28	811050400	Washer, Lock Ext. Tooth
33	532131319	Plug, Socket Light
34	873680400	Nut, Fin Hex 1/4-20
35	817490512	Screw, Thdrol 5/16-28 x 3/4
36	532128445	Bracket, Pivot Hood LH

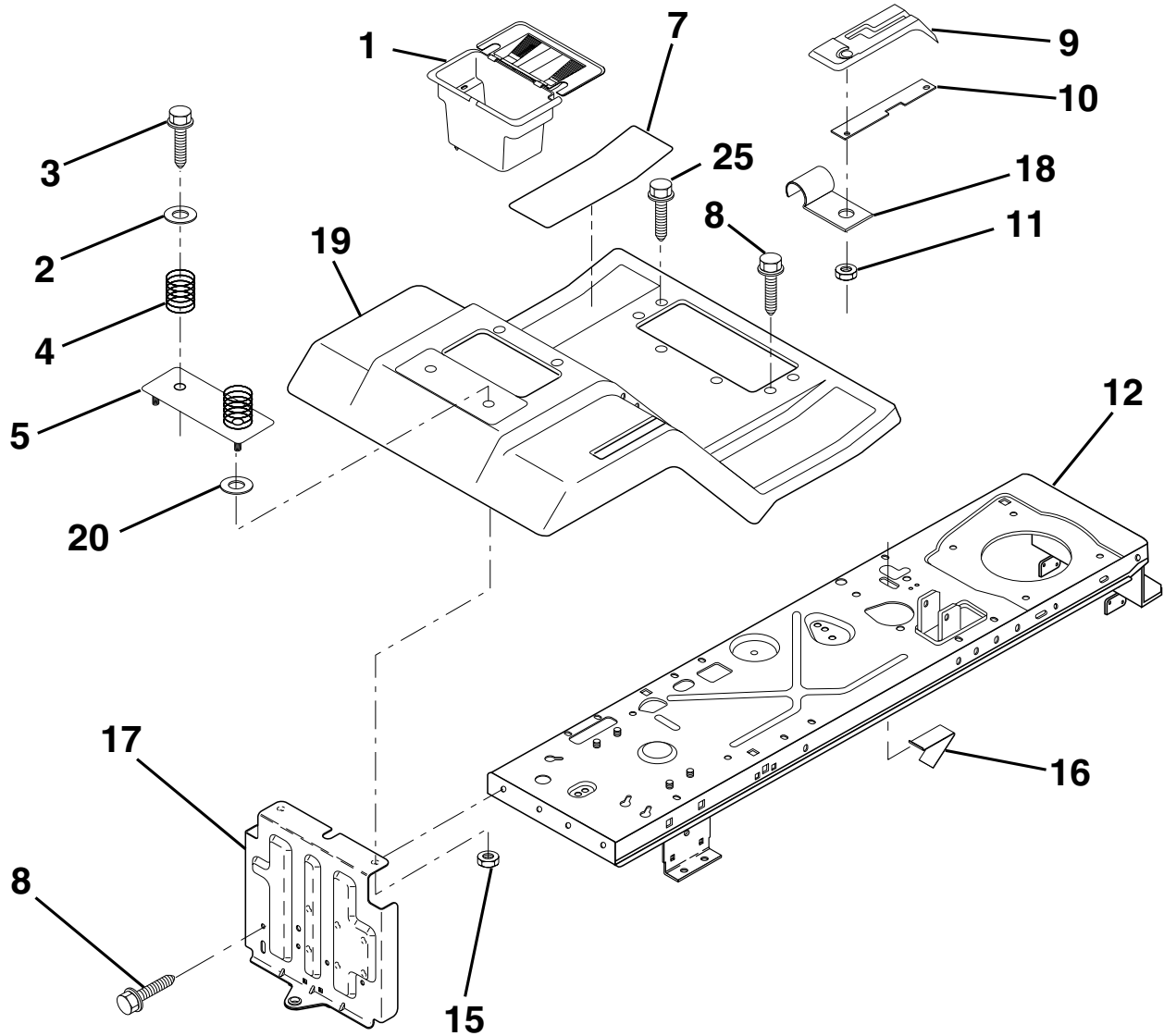
NOTE: All component dimensions given in U.S. inches
1 inch = 25.4 mm

HARDWARE SHOWN LARGER FOR EASIER IDENTIFICATION

For Husqvarna Parts Call 606-678-9623 or 606-561-4983

REPAIR PARTS

TRACTOR - - MODEL NO. LT125 (HE12536C), PRODUCT NO. 954 17 00-01
FENDER/CHASSIS



KEY NO.	PART NO.	DESCRIPTION
1	532156417	Case, Battery
2	819132012	Washer 13/32 x 1-1/4 x 12 Ga.
3	817490612	Screw, Hex Wsh. Thrdrol 3/8-16 x 3/4
4	532124181	Spring, Compression, Seat
5	532125142	Plate, Asm. Battery
7	532124144	Pad, Footrest
8	817490512	Screw, Thdrol 5/16-18 x 3/4
9	532126997	Console, Shift Control
10	532139783	Bar, Shift Lock
11	532124346	Nut, Self-Threading, Wsher Hd 3/16

KEY NO.	PART NO.	DESCRIPTION
12	532145190	Assembly, Frame
15	873640400	Nut, Keps 1/4-20 UNC
16	532141736	Switch, Actuator
17	532140782	Drawbar
18	532126470	Clip, Insulated
19	532141393	Fender/Footrest
20	819091413	Washer 9/32 x 7/8 x 13 Ga.
25	817190516	Screw Hex 5/16-18 Unc x1

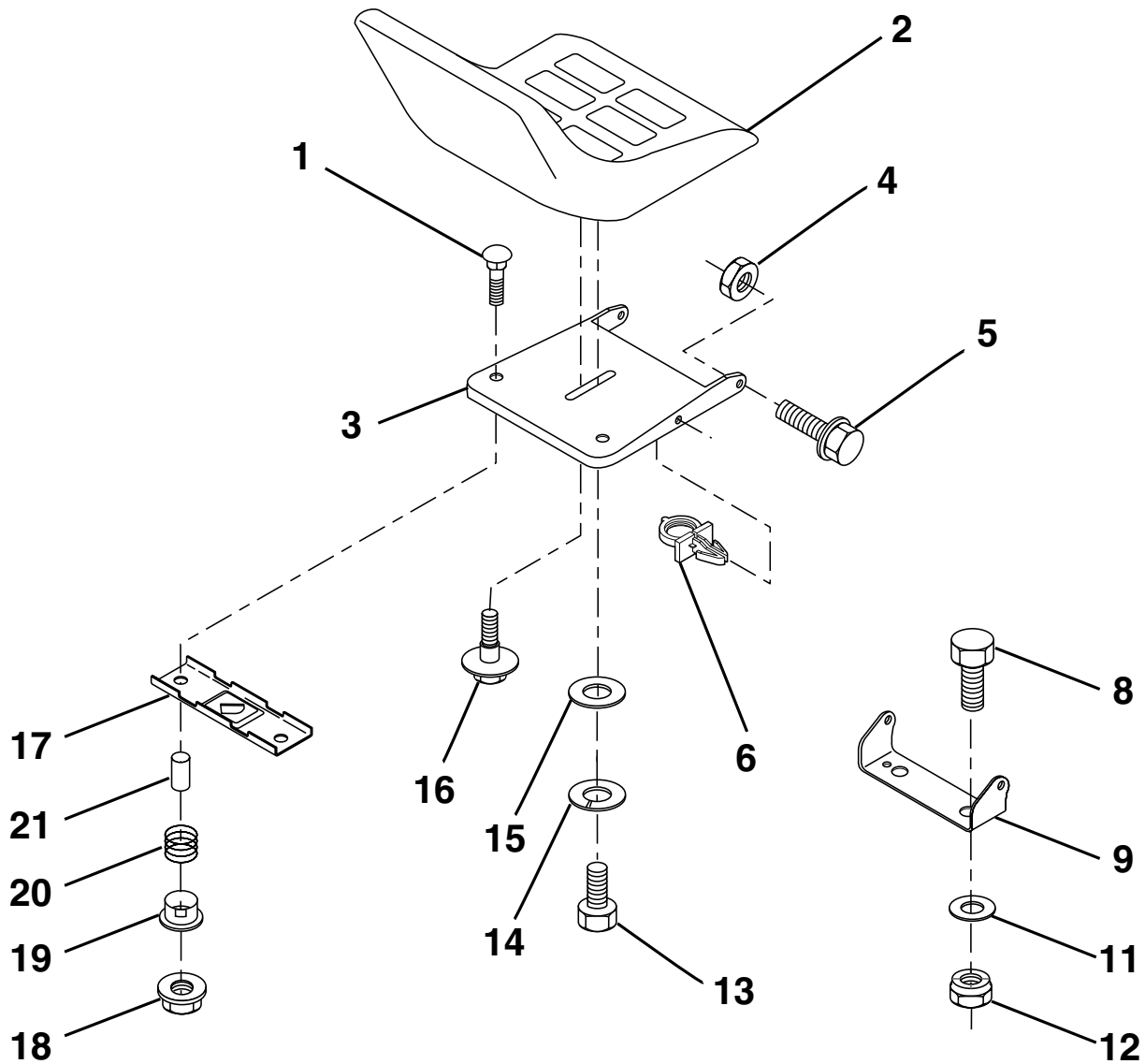
NOTE: All component dimensions given in U.S. inches
1 inch = 25.4 mm

HARDWARE SHOWN LARGER FOR EASIER IDENTIFICATION

For Husqvarna Parts Call 606-678-9623 or 606-561-4983

REPAIR PARTS

TRACTOR - - MODEL NO. LT125 (HE12536C), PRODUCT NO. 954 17 00-01
SEAT



KEY NO.	PART NO.	DESCRIPTION	KEY NO.	PART NO.	DESCRIPTION
1	872050412	Bolt, Carriage 1/4-20 x 1-1/2	14	810040800	Washer, Lock Hvy. Hlicl Spring 1/2
2	532140838	Seat	15	819171912	Washer, 17/32 x 1-3/16 x 12 Ga.
3	532155925	Pan, Seat	16	532127018	Bolt, Shoulder
4	873800500	Nut, Lock Hex w/Ins. 5/16-18	17	532121246	Bracket, Switch, Mounting
5	532153236	Bolt, Shoulder 5/16-18 UNC	18	532123976	Nut, Hex Large Flange Lock
6	532145006	Clip, Insulated	19	532121248	Bushing, Snap
8	874760616	Bolt, Fin Hex 3/8-16 UNC x 1	20	532121250	Spring, Compression
9	532140551	Bracket, Pivot Seat	21	532134300	Spacer, Split 28 Id. x .88 Lg.
11	819133210	Washer 12/32 x 2 x 10 Ga.			
12	873800600	Nut, Lock Hex w/Wsh 3/8-16			
13	874780814	Bolt, Hex 1/2-13 x 7/8			

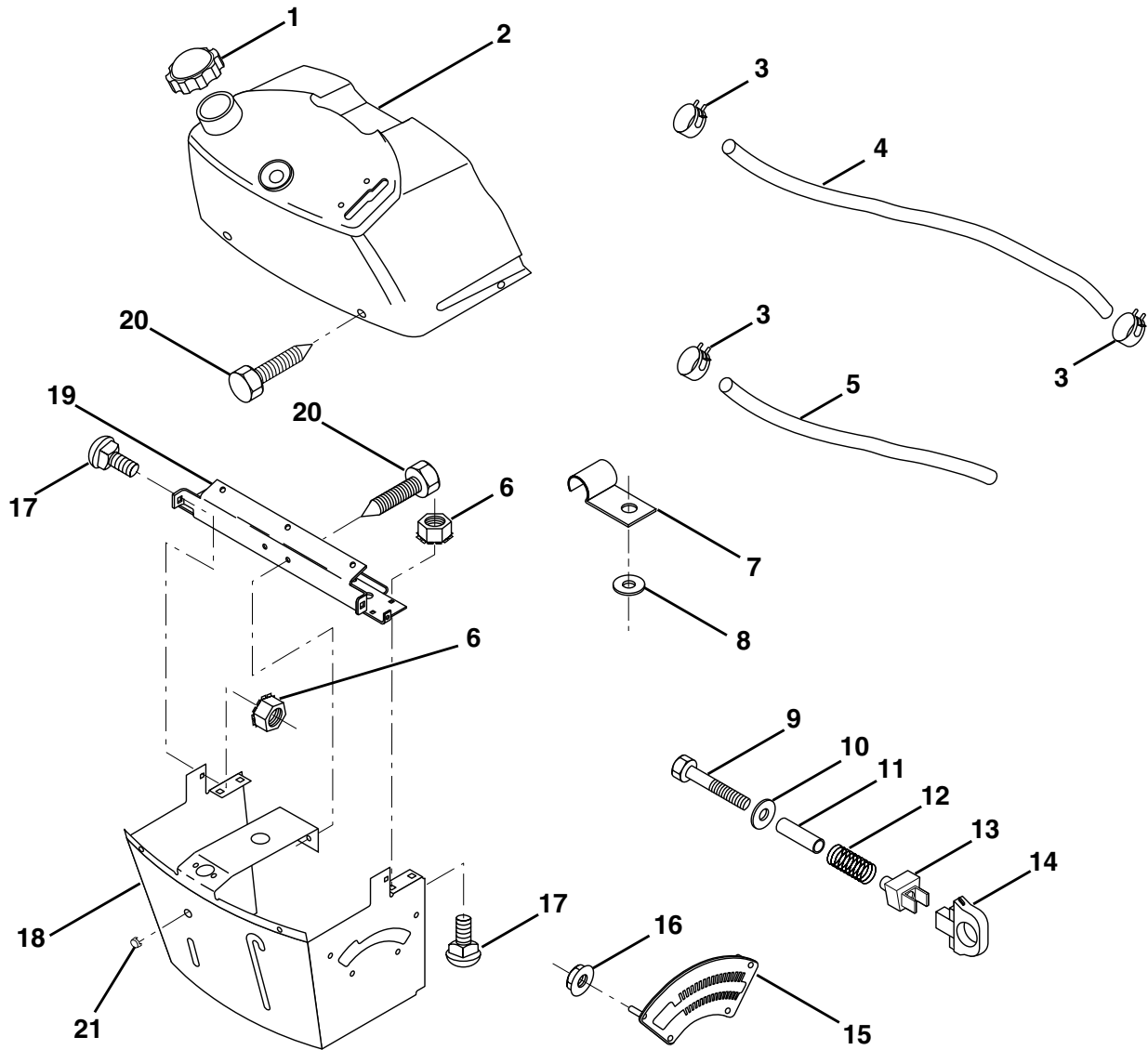
NOTE: All component dimensions given in U.S. inches
1 inch = 25.4 mm

HARDWARE SHOWN LARGER FOR EASIER IDENTIFICATION

For Husqvarna Parts Call 606-678-9623 or 606-561-4983

REPAIR PARTS

TRACTOR - - MODEL NO. LT125 (HE12536C), PRODUCT NO. 954 17 00-01
DASH



KEY NO.	PART NO.	DESCRIPTION	KEY NO.	PART NO.	DESCRIPTION
1	532142187	Cap, Fuel	13	532126450	Clip, Height Adjustment
2	532138394	Assembly, Dash & Fuel Tank	14	532126115	Knob, Height Stop
3	532123487	Clamp, Hose	15	532122023	Adjustment, Quadrant Height
4	532008544	Line, Fuel	16	532124346	Nut, Self-Threading 3/16-18
5	532008548	Line, Fuel	17	872110404	Bolt, Carriage 1/4-20 x 1/2 Gr. 5
6	873640400	Nut, Hex, Keps 1/4-20	18	532130745	Support, Assembly Dash
7	532124996	Clip, Fuel Line	19	532134744	Brace, Cross
8	819091216	Washer 9/32 x 3/4 x 16 Ga.	20	817060408	Screw, Self-Tapping 1/4-20 x 1/2
9	874760428	Bolt, Hex, Fin 1/4-20 x 1-3/4	21	532134014	Plug, Dome Black
10	819091413	Washer 11/32 x 11/16 x 16 Ga.			
11	532121249	Spacer, Split			
12	532003720	Spring			

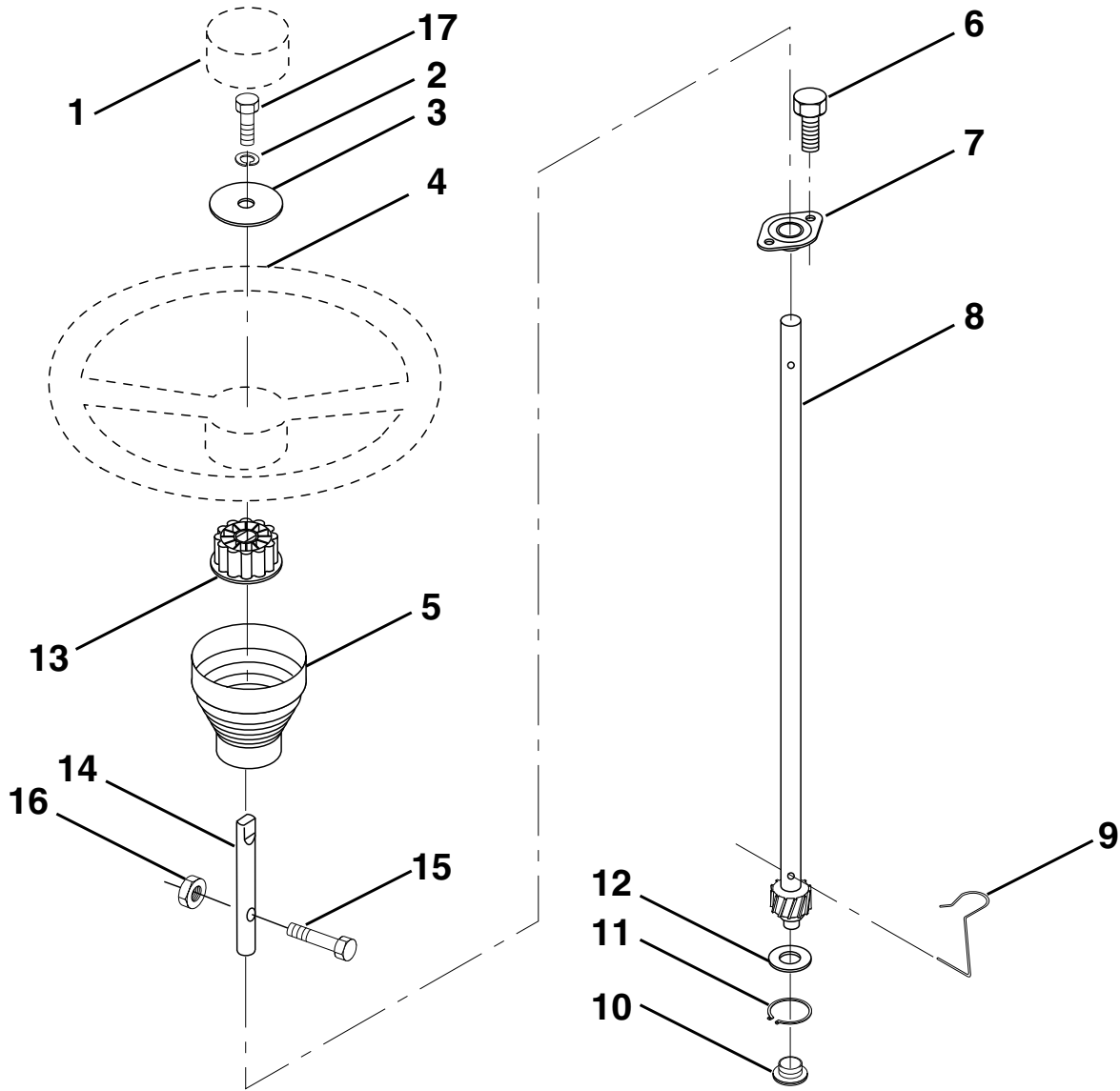
NOTE: All component dimensions given in U.S. inches
1 inch = 25.4 mm

HARDWARE SHOWN LARGER FOR EASIER IDENTIFICATION

For Husqvarna Parts Call 606-678-9623 or 606-561-4983

REPAIR PARTS

TRACTOR - - MODEL NO. LT125 (HE12536C), PRODUCT NO. 954 17 00-01
STEERING WHEEL



KEY NO.	PART NO.	DESCRIPTION
1	532124416	Insert, Wheel, Steering
2	810040600	Washer, Lock Hvy Hlcl
3	819133808	Washer 12/32 x 2-3/8 x 8 Ga.
4	532124415	Wheel, Steering
5	532127396	Sleeve, Steering

KEY NO.	PART NO.	DESCRIPTION
6	532152927	Screw
7	532155104	Bushing, Steering
8	532147391	Shaft, Steering
9	532124210	Clip, Steering
10	532123438	Bushing, Lower, Steering
11	812000045	Ring, Retaining
12	819211616	Washer 21/32 x 1 x 16 Ga.
13	532100711	Adaptor, Wheel, Steering
14	532153720	Extension Shaft, Steering
15	874780520	Bolt, Fin, Hex 5/16-18 Unc
16	873800500	Nut, Lock, Hex w/Ins 5/16-18 Unc
17	874780616	Bolt, Fin Hex 3/8-16 UNC x 1

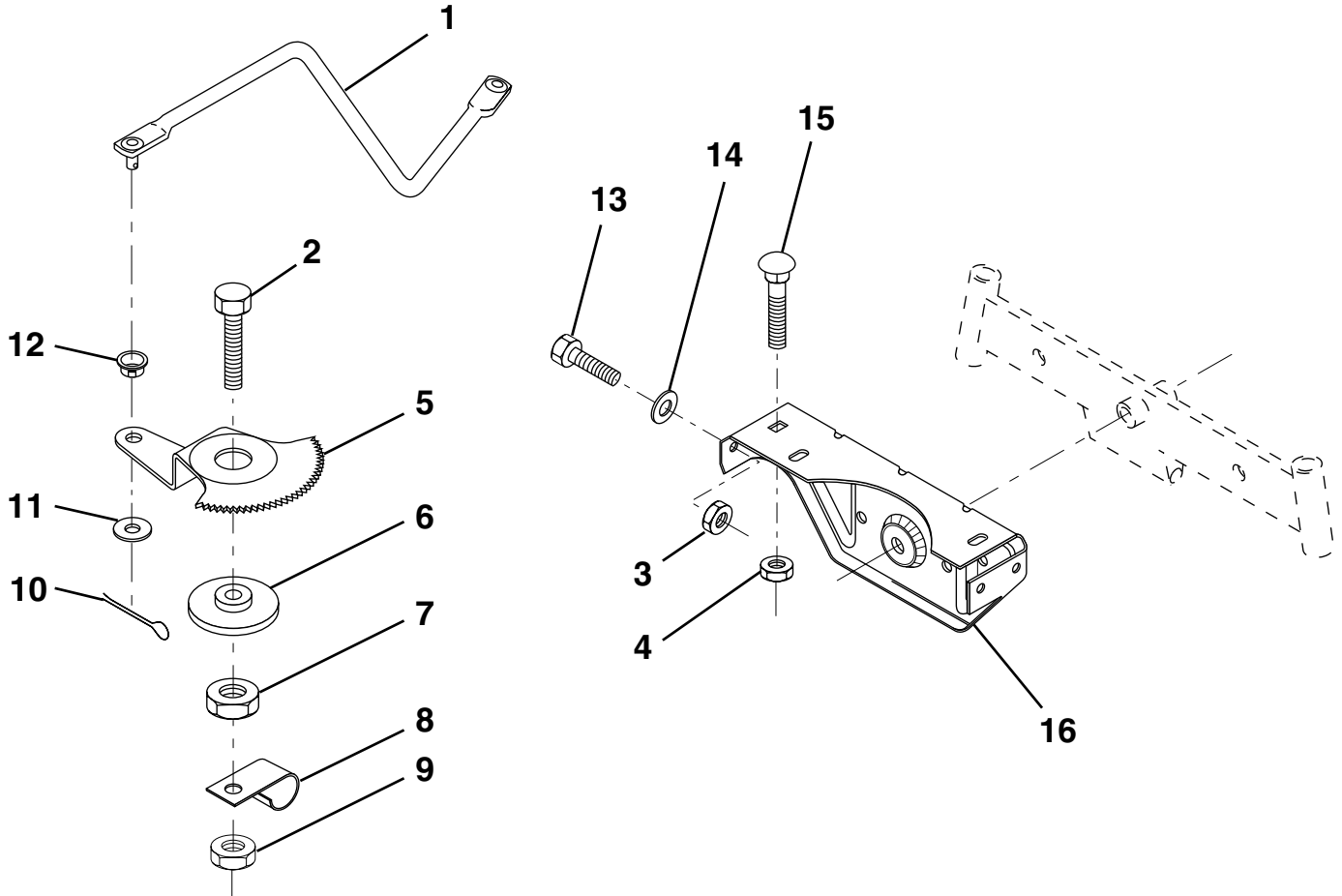
NOTE: All component dimensions given in U.S. inches
1 inch = 25.4 mm

HARDWARE SHOWN LARGER FOR EASIER IDENTIFICATION

For Husqvarna Parts Call 606-678-9623 or 606-561-4983

REPAIR PARTS

TRACTOR - - MODEL NO. LT125 (HE12536C), PRODUCT NO. 954 17 00-01
SECTOR GEAR / AXLE SUPPORT



KEY NO.	PART NO.	DESCRIPTION
1	532132566	Link, Drag
2	874780828	Bolt, Fin Hex 1/2-13 x 1-3/4
3	873680500	Nut, Lock Hex w/Ins. 5/16-18
4	873680600	Nut, Lock Hex w/Wsh 3/8-16
5	532121926	Gear, Sector
6	532121927	Bushing
7	873030800	Nut, Heavy Hex Top Lock 1/2-13 UNC
8	532126472	Clip, Insulated
9	873680800	Nut, Crownlock 3/8-16

KEY NO.	PART NO.	DESCRIPTION
10	876020412	Pin, Cotter 1/8 x 3/4
11	819131316	Washer, 13/32 x 13/16 x 16 Ga.
12	532126847	Bushing
13	874760512	Bolt, Hex Hd. 5/16-18 UNC x 3/4
14	819111416	Washer 11/32 x 7/8 x 16 Ga.
15	872110606	Bolt, Carriage 3/8-16 UNC x 3/4
16	532137096	Support, Front Axle

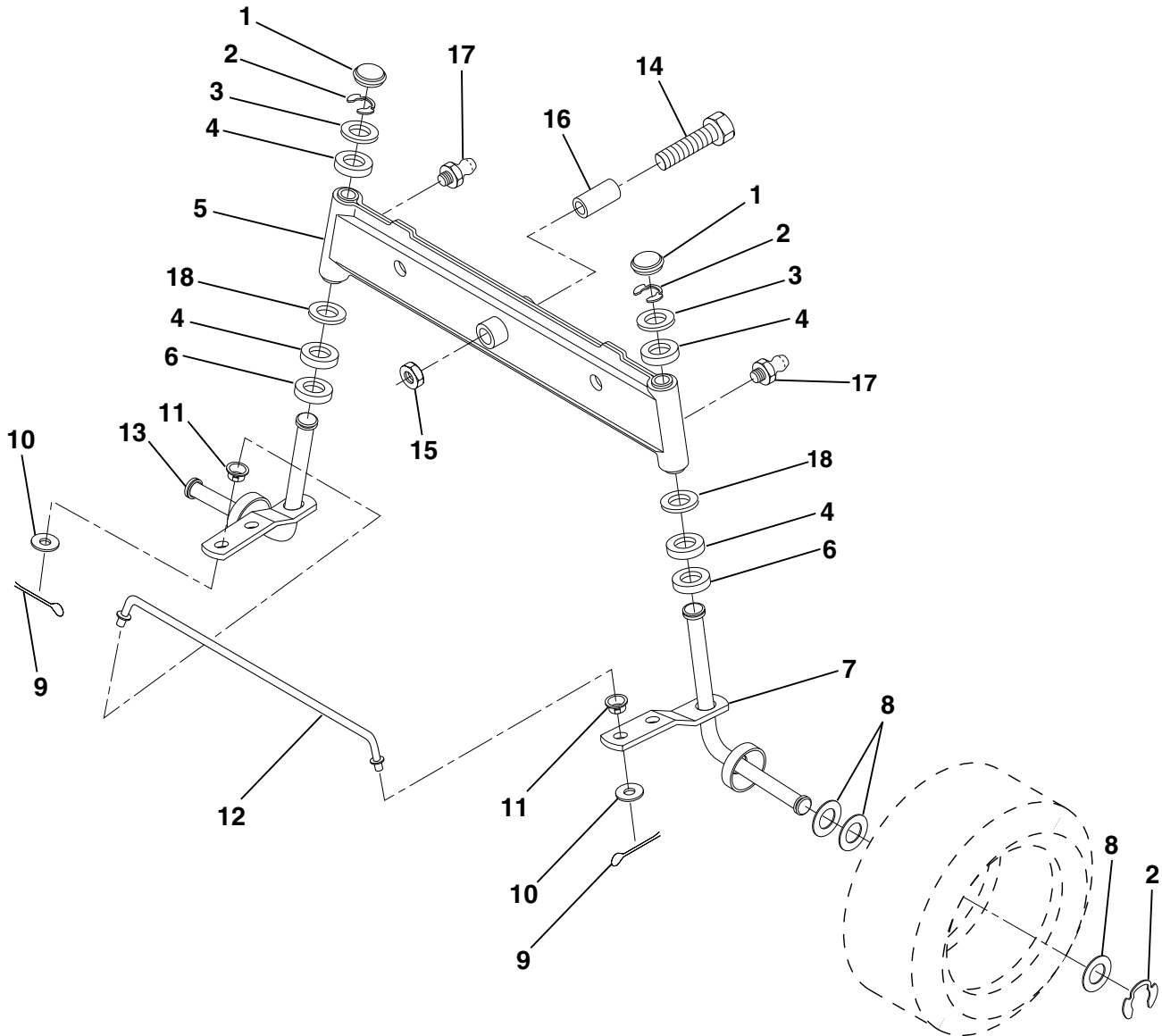
NOTE: All component dimensions given in U.S. inches
1 inch = 25.4 mm

HARDWARE SHOWN LARGER FOR EASIER IDENTIFICATION

For Husqvarna Parts Call 606-678-9623 or 606-561-4983

REPAIR PARTS

TRACTOR - - MODEL NO. LT125 (HE12536C), PRODUCT NO. 954 17 00-01
FRONT AXLE



KEY NO.	PART NO.	DESCRIPTION
1	532121232	Cap, Spindle
2	812000029	Ring, Clip
3	532121748	Washer 25/32 x 1-5/8 x 16 Ga.
4	532124937	Nyliner
5	532142033	Axle, Front
6	532124931	Bearing, Thrust
7	532161826	Spindle, R.H. Asm.
8	532121749	Washer 25/32 x 1-1/4 x 16 Ga.
9	876020412	Pin, Cotter 1/8 x 3/4
10	819131316	Washer 13/32 x 13/16 x 16 Ga.

KEY NO.	PART NO.	DESCRIPTION
11	532126847	Bushing
12	532130465	Rod, Tie
13	532161827	Spindle, L.H. Asm.
14	874011056	Bolt Hex 5/1-11 x 3-1/2
15	873901000	Nut, Lock Flange 5/8-11
16	532110438	Spacer Bearing Axle
17	532124836	Fitting Grease
18	819272016	Washer 27/32 x 1-1/4 x 16 Ga.

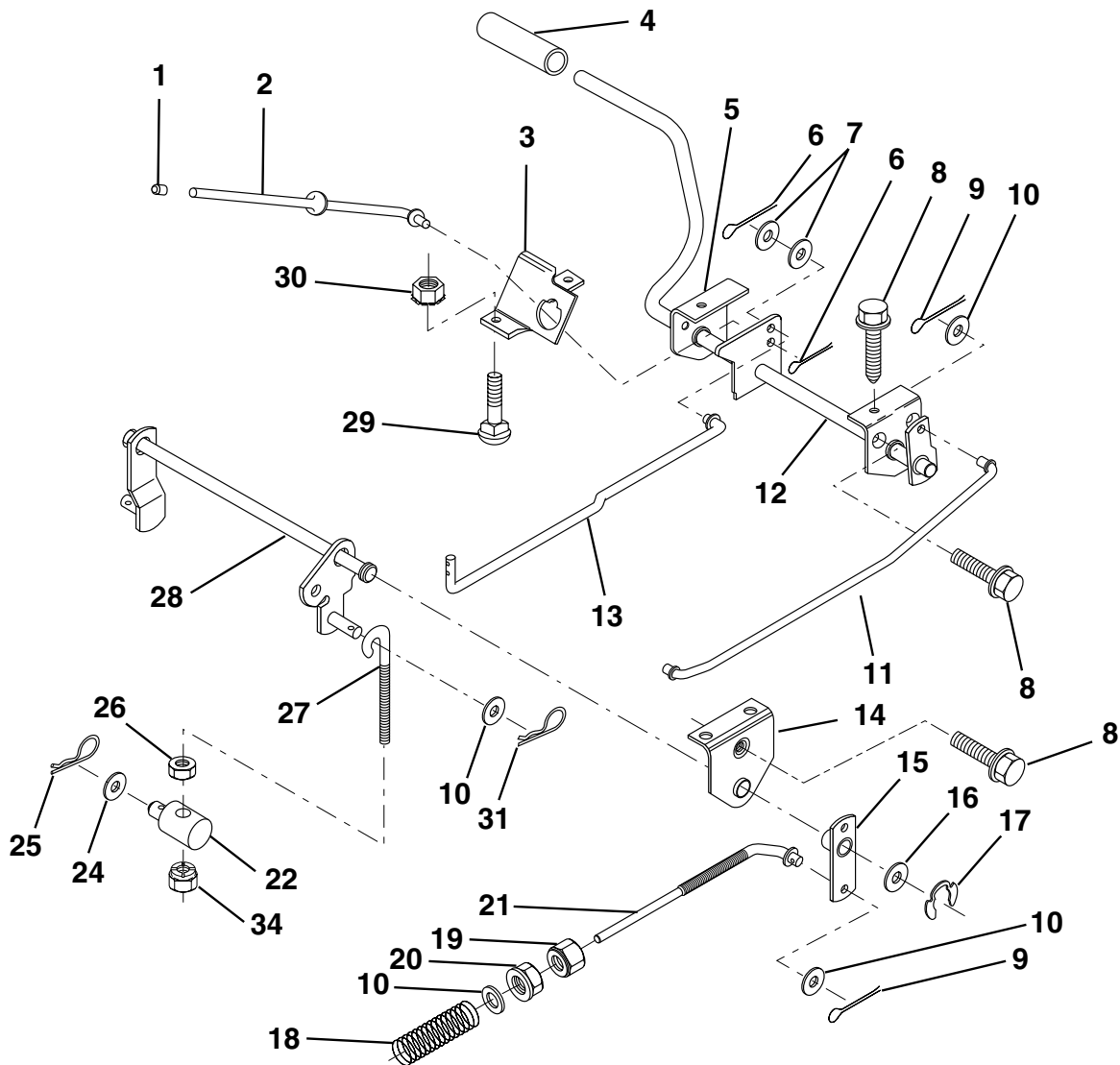
NOTE: All component dimensions given in U.S. inches
1 inch = 25.4 mm

HARDWARE SHOWN LARGER FOR EASIER IDENTIFICATION

For Husqvarna Parts Call 606-678-9623 or 606-561-4983

REPAIR PARTS

TRACTOR - - MODEL NO. LT125 (HE12536C), PRODUCT NO. 954 17 00-01
BRAKE / REAR MOWER LIFT ASSEMBLY



KEY NO.	PART NO.	DESCRIPTION	KEY NO.	PART NO.	DESCRIPTION
1	532071673	Cap, Plunger	17	812000034	Ring, Klip
2	532123436	Rod, Parking Brake	18	532151332	Spring, Brake Rod
3	532123437	Bracket, Parking Brake	19	873350600	Nut, Hex, Jam 3/8-16 UNC
4	532008156	Cover, Pedal	20	873800600	Nut, Lock, Hex w/Ins 3/8-16 Unc
5	532122504	Bracket, Clutch/Brake Pedal, L.H.	21	532131460	Rod, Rear Brake
6	876020312	Pin, Cotter 3/32 x 3/4	22	532144585	Trunnion, Lift
7	819131016	Washer 13/32 x 5/8 x 16 Ga.	24	819132012	Washer 13/32 x 1-1/4 x 12 Ga.
8	817490508	Screw, Hex, Thd. Roll. 5/16-18 x 1/2	25	532124961	Spring, Retainer
9	876020412	Pin, Cotter 1/8 x 3/4	26	873930600	Nut, Centerlock 3/8-16 UNC
10	819131316	Washer 13/32 x 13/16 x 16 Ga.	27	532127369	Link, Threaded
11	532123543	Rod, Brake Front	28	532140776	Assembly, Rear Mower Lift
12	532139933	Assembly, Clutch/Brake Pedal	29	872110506	Bolt, Carriage 5/16-18 UNC x 3/4
13	532123394	Rod, Clutch	30	873510500	Nut, Keps 5/16-16 UNC
14	532121978	Bracket, Lift, Shaft	31	532124660	Retainer Spring
15	532133332	Assembly, Brake, Pivot, Arm	34	873680600	Locknut, Crownlock 3/8-16
16	819251816	Washer 25/32 x 1-1/8 x 16 Ga.			

NOTE: All component dimensions given in U.S. inches
1 inch = 25.4 mm

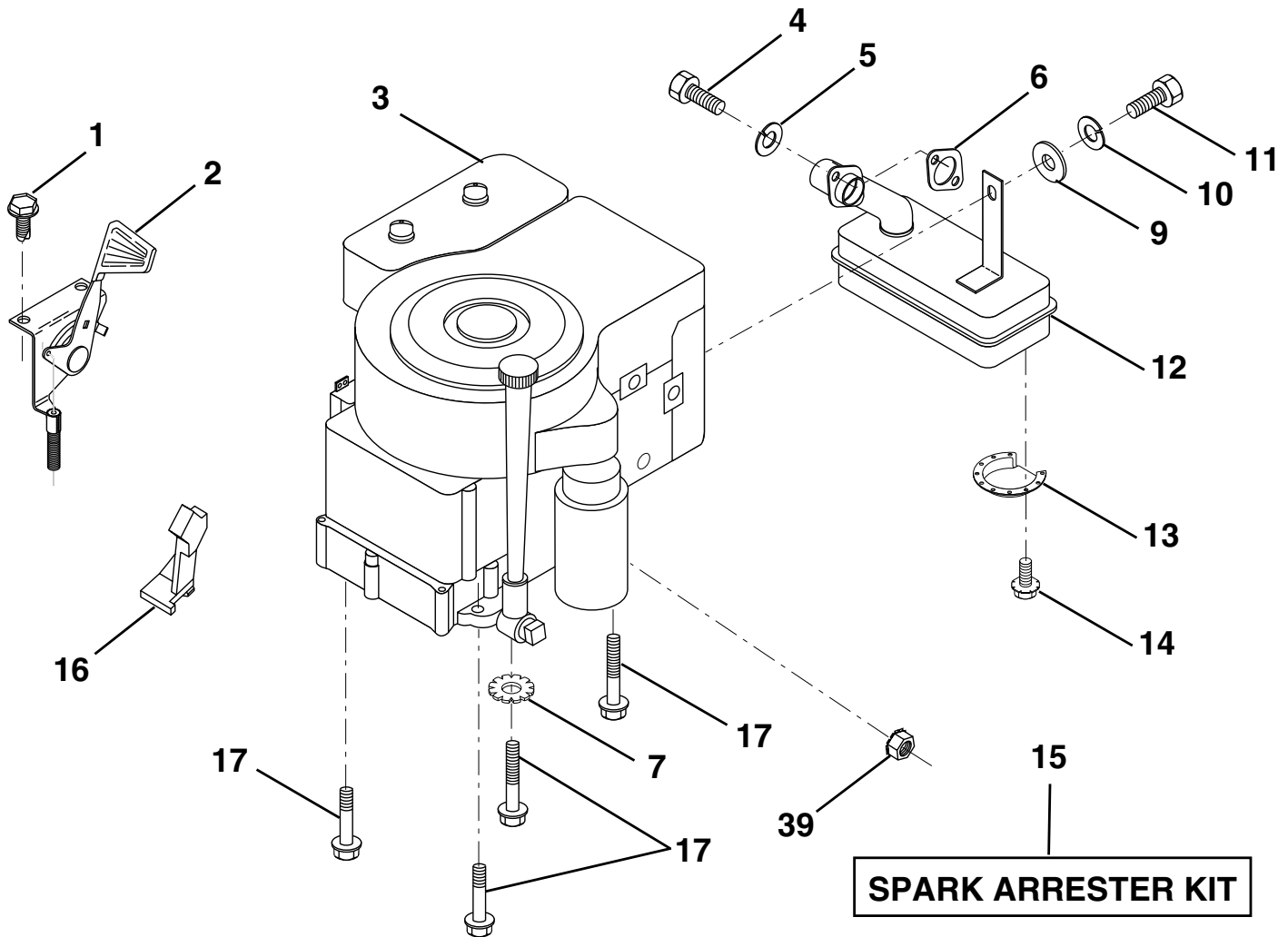
HARDWARE SHOWN LARGER FOR EASIER IDENTIFICATION

For Husqvarna Parts Call 606-678-9623 or 606-561-4983

REPAIR PARTS

TRACTOR - - MODEL NO. LT125 (HE12536C), PRODUCT NO. 954 17 00-01

ENGINE



KEY NO.	PART NO.	DESCRIPTION	KEY NO.	PART NO.	DESCRIPTION
1	817060408	Screw, Hex Thd. Cut 1/4-20 x 1/2	12	532137437	Muffler
2	532133025	Control, Throttle	13	532101326	Deflector, Muffler
3	-----	Engine, Briggs and Stratton Model No. 28R707	14	817030808	Screw, Spiderloc
4	871070512	Screw, Hex, Cap 5/16-18 x 3/4	15	532137180	Arrester, Spark (Optional equipment)
5	810040500	Washer, Lock Heavy Helical Spring 5/16	16	532127951	Stop, Throttle
6	532272293	Gasket, Exhaust	17	817490624	Screw, Hex Washer Head, Thdrol. 3/8-16 x 1-1/2
7	811050600	Washer Ext. Tooth 3/8	39	532128861	Nut, Flange 1/4-20
9	819101216	Washer 5/16 x 3/4 x 16			
10	810040400	Washer, Lock Hvy Hlcl Spring 1/4			
11	-----	Bolt, Hex Fin. (Order From Eng. Mfg.)			

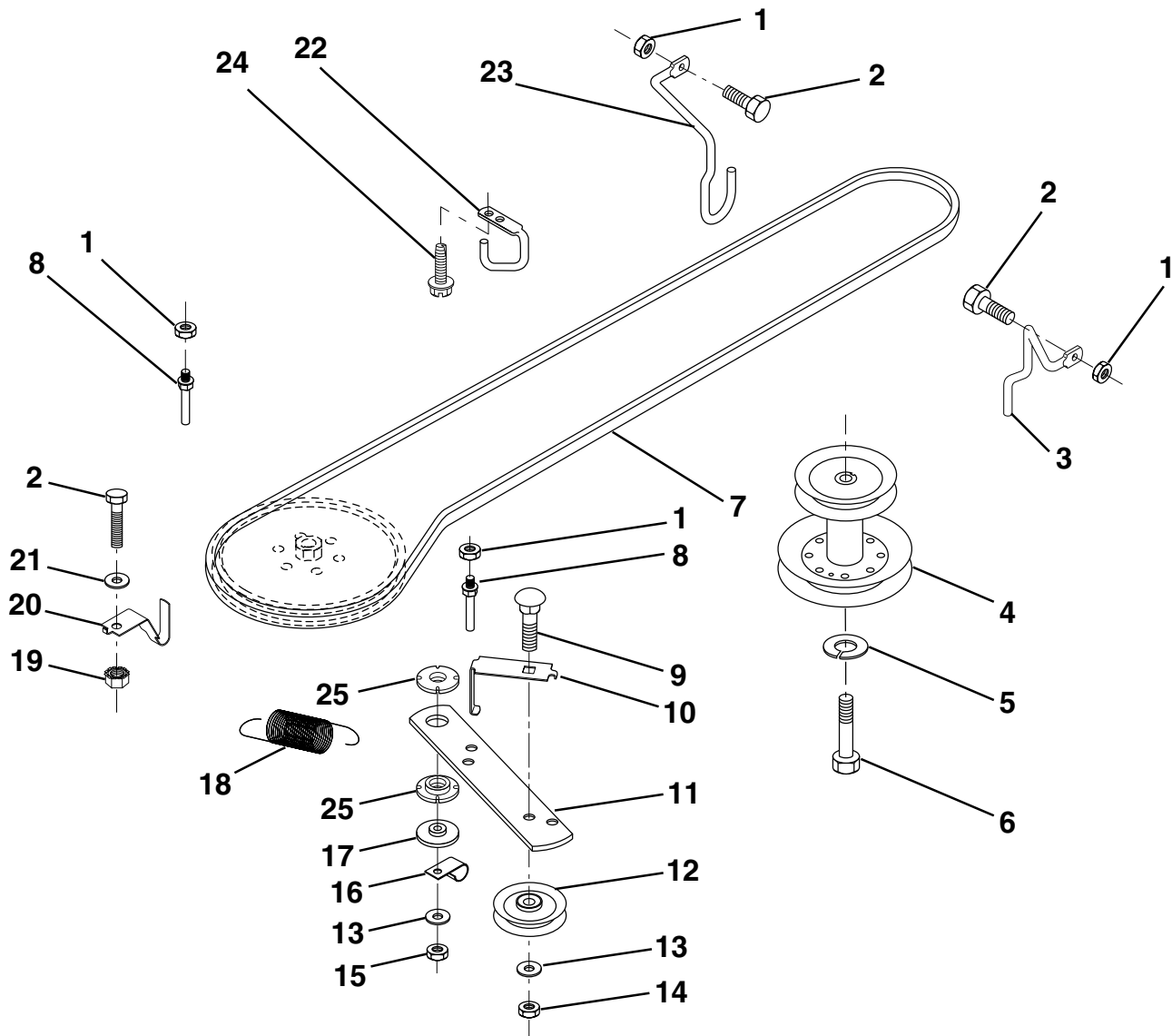
NOTE: All component dimensions given in U.S. inches
1 inch = 25.4 mm

HARDWARE SHOWN LARGER FOR EASIER IDENTIFICATION

For Husqvarna Parts Call 606-678-9623 or 606-561-4983

REPAIR PARTS

TRACTOR - - MODEL NO. LT125 (HE12536C), PRODUCT NO. 954 17 00-01
GROUND DRIVE



KEY NO.	PART NO.	DESCRIPTION	KEY NO.	PART NO.	DESCRIPTION
1	873680500	Nut, Crownlock 5/16-18	14	873930600	Nut, Centerlock 3/8-16 UNC
2	874760512	Bolt, Hex Hd 5/16-18 UNC x 3/4	15	873680600	Nut, Crownlock 3/8-16
3	532141342	Keeper, Mower Drive, R. H.	16	532126471	Clip, Insulated
4	532138029	Pulley, Engine	17	532150932	Spacer, Retainer
5	810040700	Washer, Lock 7/16	18	532131459	Spring Extension
6	871170744	Bolt Hex 7/16-20 Gr. 5	19	873510500	Nut, Keps 5/16-18 UNC
7	532126520	Traction, V-Belt Drive	20	532139919	Keeper, T/A Ground Drive Belt
8	532123405	Keeper, T/A Ground Drive Belt	21	819111016	Washer 11/32 x 5/8 x 16 Ga.
9	872140612	Bolt, Carr. 3/8-16 UNC x 1-1/2	22	532123404	Keeper, Frame Ground Drive Belt
10	532123396	Keeper, Belt Ground Drive Idler	23	532140916	Keeper, Mower Drive, L. H.
11	532150926	Arm, Ground Drive Clutch	24	817720408	Screw, Thd Cut 1/4-20 x 1/2
12	532123674	Idler, Flat	25	532150935	Bushing, Nylon
13	819131316	Washer 13/32 x 13/16 x 16 Ga.			

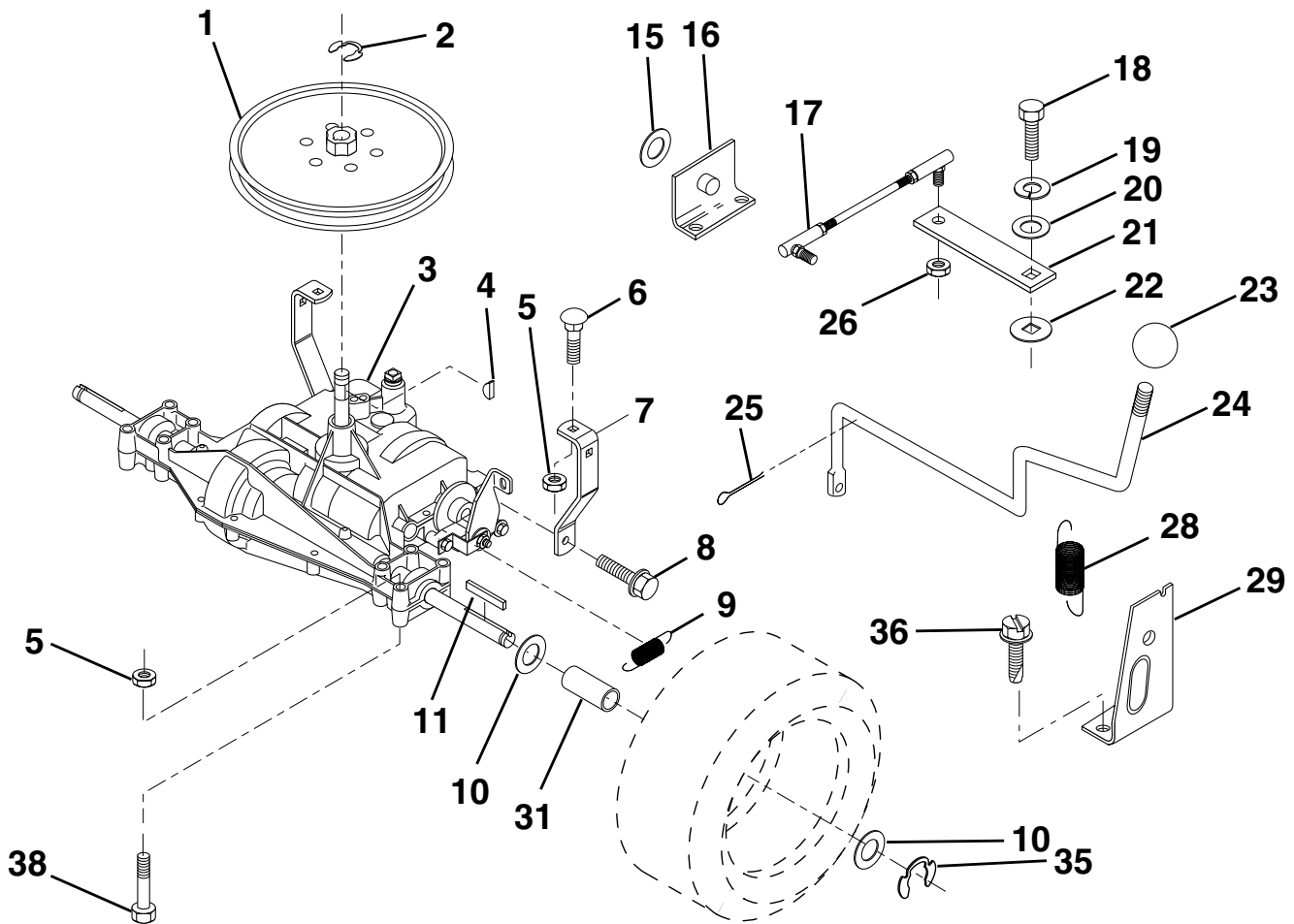
NOTE: All component dimensions given in U.S. inches
1 inch = 25.4 mm

HARDWARE SHOWN LARGER FOR EASIER IDENTIFICATION

For Husqvarna Parts Call 606-678-9623 or 606-561-4983

REPAIR PARTS

TRACTOR - - MODEL NO. LT125 (HE12536C), PRODUCT NO. 954 17 00-01
TRANSAXLE



KEY NO.	PART NO.	DESCRIPTION	KEY NO.	PART NO.	DESCRIPTION
1	532123385	Pulley	20	819091210	Washer 9/32 x 3/4 x 10 Ga.
2	812000028	Ring, Retainer	21	532126292	Arm, Shift
3	532127050	Transaxle, (See Breakdown) Peerless Model No. 205-507B	22	532105701	Washer, Shift Plate
4	532125096	Key, Woodruff #9	23	532106933	Knob, Rd 1/2-13
5	873680500	Nut, Crownlock 5/16-18	24	532128215	Rod Shift
6	872140506	Bolt, Carriage 5/16-18 UNC x 3/4	25	876020416	Pin, Cotter 1/8 x 1
7	532123378	Strap, Torque	26	873810500	Locknut 5/16-24 UNF
8	817490512	Screw 5/16-18 x 3/4	28	532128085	Extension, Spring
9	532146682	Spring, Brake	29	532128084	Support Handle Shift RH
10	532121749	Washer 25/32 x 1-1/4 x 16 Ga.	31	532137057	Spacer Axle
11	532123583	Key, Square	35	812000001	E-Ring
15	819171616	Washer 17/32 x 1 x 16 Ga.	36	817720408	Screw, Thd. Cut 1/4-20 x 1/2
16	532124600	Support Handle Shift LH	38	874490544	Bolt, Hex Hd 5/16-18 x 2-3/4
17	532126293	Link, Shift			
18	874550412	Bolt, Fin Hex 1/4-28 UNF x 3/4 Gr. 8			
19	810040400	Washer, Lock 1/4			

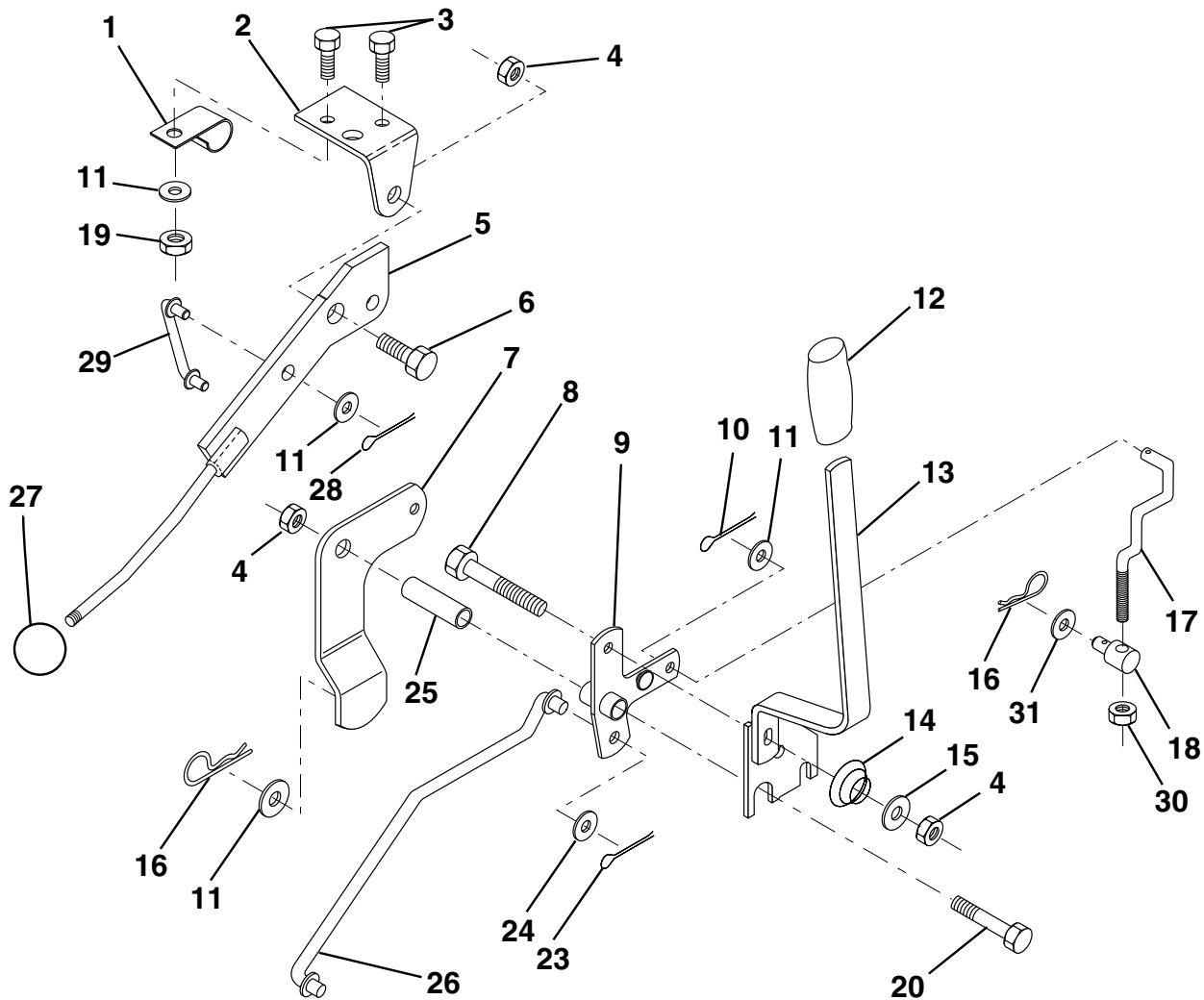
NOTE: All component dimensions given in U.S. inches
1 inch = 25.4 mm

HARDWARE SHOWN LARGER FOR EASIER IDENTIFICATION

For Husqvarna Parts Call 606-678-9623 or 606-561-4983

REPAIR PARTS

TRACTOR - - MODEL NO. LT125 (HE12536C), PRODUCT NO. 954 17 00-01
MOWER LIFT LEVER



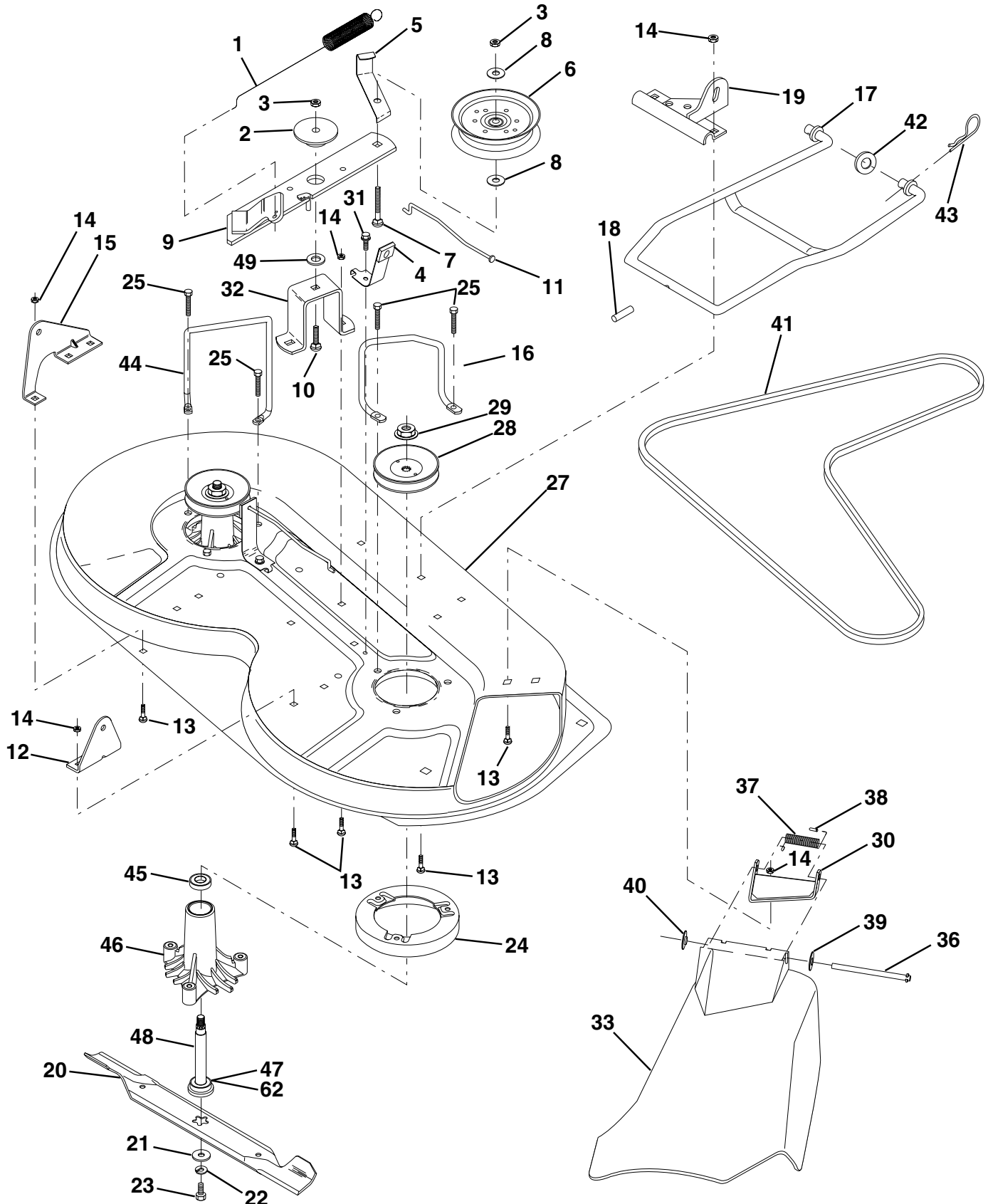
KEY NO.	PART NO.	DESCRIPTION	KEY NO.	PART NO.	DESCRIPTION
1	532126470	Clip, Insulated	17	532127359	Link, Front Lift
2	532122018	Bracket, Mower Clutch	18	532142028	Trunnion, Threaded 3/8-16
3	871110408	Bolt, Fin. Hex 1/4-20 UNC x 1/2	19	873640400	Nut, Keps 1/4-20
4	873680600	Nut, Crownlock 3/8-16	20	874760644	Bolt, Fin. Hex 3/8-16 UNC x 2-3/4
5	532145187	Assembly, Clutch Lever	23	876020416	Pin, Cotter 1/8 x 1
6	532106451	Bolt, Shoulder	24	819171612	Washer 17/32 x 1-1/4 x 12 Ga.
7	532135371	Assembly, Mower Clutch Arm	25	532121933	Tube, Spacer
8	874760636	Bolt, Hex 3/8-16 UNC x 2-1/4	26	532141470	Rod, Mower Lift
9	532121930	Assembly, Bellcrank Lift	27	532106932	Knob
10	876020412	Pin, Cotter 1/8 x 3/4	28	876020312	Pin, Cotter 3/32 x 3/4
11	819131316	Washer 13/32 x 13/16 x 16 Ga.	29	532131655	Link, Mower Clutch
12	532131861	Grip, Handle	30	873350600	Nut Hex Jam 3/8-16 x 1.30
13	532139352	Assembly, Lift Handle	31	819132012	Washer 13/32 x 1 - 1/4 x 12 Ga.
14	532123496	Spring, Compression			
15	819131212	Washer 13/32 x 3/4 x 12 Ga.			
16	532124961	Retainer, Spring			

NOTE: All component dimensions given in U.S. inches
1 inch = 25.4 mm

HARDWARE SHOWN LARGER FOR EASIER IDENTIFICATION

For Husqvarna Parts Call 606-678-9623 or 606-561-4983 REPAIR PARTS

TRACTOR - - MODEL NO. LT125 (HE12536C), PRODUCT NO. 954 17 00-01
MOWER DECK



For Husqvarna Parts Call 606-678-9623 or 606-561-4983

REPAIR PARTS

TRACTOR - - MODEL NO. LT125 (HE12536C), PRODUCT NO. 954 17 00-01
MOWER DECK

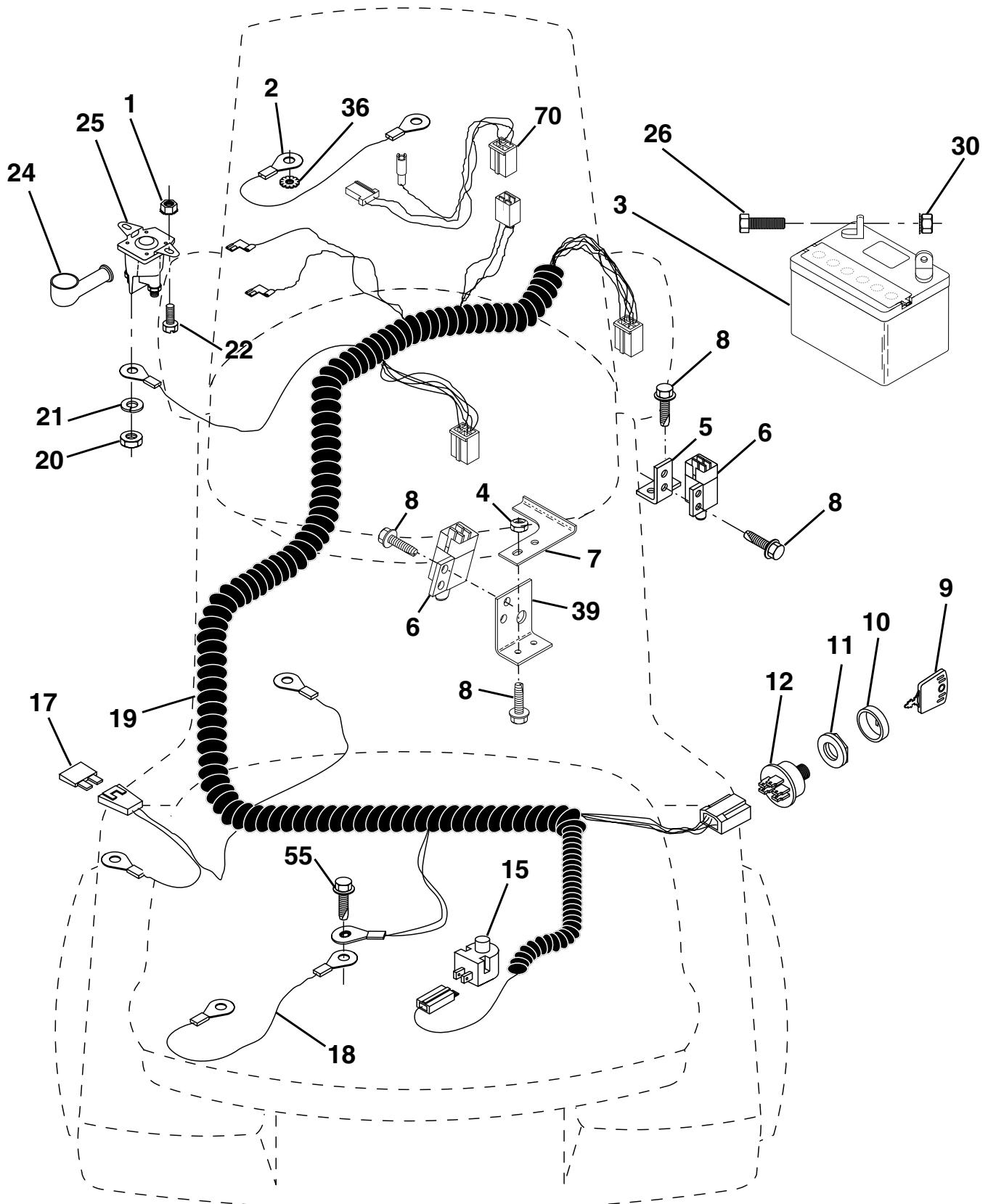
KEY NO.	PART NO.	DESCRIPTION	KEY NO.	PART NO.	DESCRIPTION
1	532140064	Spring, Mower Clutch	29	532137266	Nut, Flange Lock 9/16
2	532122052	Spacer, Retainer	30	532136631	Bracket, Asm. Deflector
3	873680600	Nut, Crownlock 3/8-16	31	817490508	Screw, Hex Wsh. Thdrol. 5/16-18 x 1/2
4	532130840	Brake Asm.	32	532122051	Arm, Support Idler Mower
5	532131251	Guide, Belt Idler	33	532131560	Deflector
6	532121316	Pulley, Flat Idler	36	532121980	Rod, Hinge
7	872110616	Bolt, Carr. 3/8-16 x 1-3/4 Gr. 5	37	532123713	Spring, Torsion Deflector
8	819131410	Washer 13/21 x 7/8 x 10 Ga.	38	532105304	Cap, Sleeve
9	532127744	Arm Asm., Idler Mower	39	819111016	Washer 11/32 x 5/8 x 16 Ga.
10	872140610	Bolt, Carriage 3/8-16 x 1-1/4	40	532110452	Pushnut
11	532130841	Rod, Brake	41	532131264	V-Belt
12	532127356	Bracket, Lift R. H. Rear	42	819171616	Washer 11/32 x 5/8 x 16 Ga.
13	872140506	Bolt, Carriage 5/16-18 x 3/4	43	532124660	Retainer, Spring
14	873680500	Nut, Crownlock 5/16-18	44	532140608	Keeper, L. H.
15	532127357	Bracket, Lift L. H. Rear	45	532110485	Bearing
16	532153298	Keeper, R. H.	46	532128774	Housing Mandrel Vented
17	532128508	Link, Asm. Mower Stabilizer	47	532129895	Bearing
18	532128511	Pin, Drive	48	532137645	Shaft, Mandrel (Includes Key # 47)
19	532127380	Bracket, Asm. Front	49	532133943	Washer Hardened
20	532138496	Blade High Lift	62	532153390	Washer, Felt
21	532140296	Washer, Hardened	--	532130794	Mandrel Asm. (Includes Key No.'s 22-23, 26, 29 and 45-48)
22	810030600	Washer, Lock 3/8	--	532156866	Deck, Mower Complete
23	532850857	Bolt 3/8-24 x 1-1/4 Gr. 8			
24	532140329	Stripper			
25	532157722	Screw Thdrol Hex Hd			
27	532156600	Deck Assembly			
28	532153531	Pulley, Mandrel			

NOTE: All component dimensions given in U.S. inches
1 inch = 25.4 mm

HARDWARE SHOWN LARGER FOR EASIER IDENTIFICATION

For Husqvarna Parts Call 606-678-9623 or 606-561-4983 REPAIR PARTS

TRACTOR - - MODEL NO. LT125 (HE12536C), PRODUCT NO. 954 17 00-01
ELECTRICAL



For Husqvarna Parts Call 606-678-9623 or 606-561-4983

REPAIR PARTS

TRACTOR - - MODEL NO. LT125 (HE12536C), PRODUCT NO. 954 17 00-01
ELECTRICAL

KEY NO.	PART NO.	DESCRIPTION
1	873640400	Nut, Hex Keps 1/4-20
2	532108423	Assembly, Cable
3	532144924	Battery
4	532069180	Nut, Lock #10-24 Unc
5	532108236	Bracket, Switch
6	532109553	Switch, Interlock (4-terminal)
7	532146374	Keeper, Actuator
8	817021008	Screw, Hex Hd. Tap #10-24 x 1/2
9	532140401	Key, Mplded
10	532141226	Cover, Key Ignition
11	532140400	Nut, Ignition
12	532144921	Switch, Ignition
15	532121305	Switch, Plunger
17	532108824	Fuse
18	532128353	Assembly, Cable
19	532146063	Harness, Ignition
20	873350400	Nut, Hex Jam 1/4-20
21	810090400	Washer, Lock 1/4
22	871110408	Bolt, Fin. Hex 1/4-20 UNC x 1/2
24	532131563	Cover, Terminal
25	532145673	Solenoid
26	874760412	Bolt, Hex Hd. 1/4-20 UNC x 3/4
30	873510400	Nut, Keps Hex 1/4-20 UNC
36	811150400	Washer Lock Inter. Tooth 1/4
39	532141735	Bracket Switch Clutch
55	817490508	Screw Thdrol 5/16 - 18 x 1/2
70	532140413	Harness Engine

NOTE: All component dimensions given in U.S. inches.
1 inch = 25.4 mm

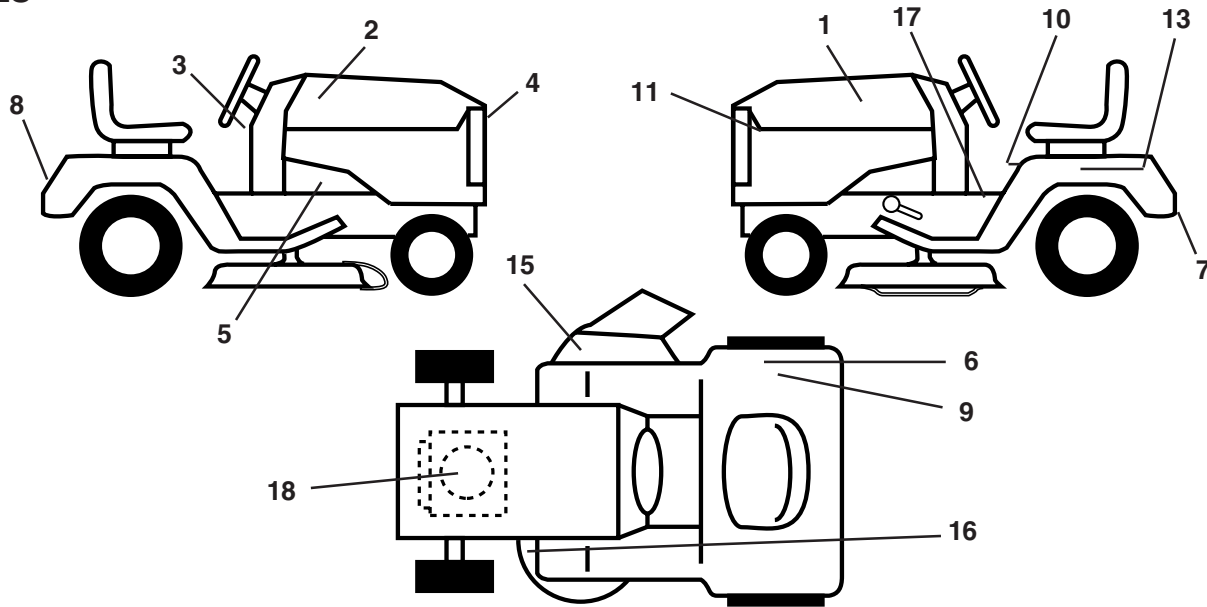
HARDWARE SHOWN LARGER FOR EASIER IDENTIFICATION

For Husqvarna Parts Call 606-678-9623 or 606-561-4983

REPAIR PARTS

TRACTOR - - MODEL NO. LT125 (HE12536C), PRODUCT NO. 954 17 00-01

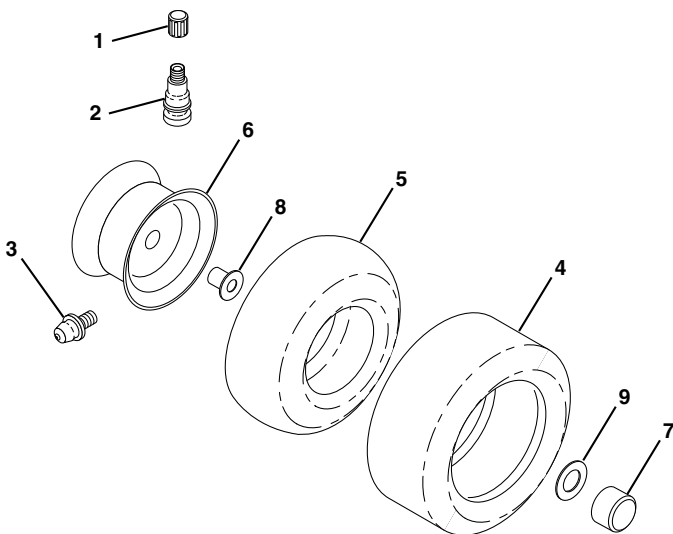
DECALS



KEY NO.	PART NO.	DESCRIPTION
1	532156999	Decal, Hood, L. H., Husqv.
2	532156998	Decal, Hood, R. H., Husqv.
3	532125690	Decal, Dba
4	532150616	Decal, Grille Husq.
5	532159736	Decal, Chasis Hot Muffler
6	532145437	Decal Europe Stand. CE Tractors
7	532162598	Decal, Drawbar, Load Limit
8	532150617	Decal, Logo, Fender
10	532145498	Decal, Read Owner's Manual Symbols
11	532159713	Decal, Pnl Side, B&S Husq.

KEY NO.	PART NO.	DESCRIPTION
13	532145005	Decal, Battery
15	532145494	Decal, Cutoffger
16	532136830	Decal, V-Belt Sch.
17	532159739	Decal, Brake/Clutch Symbols
18	532272632	Decal, Engine
--	532138311	Decal, Height Adjust
--	532157036	Manual, Operator's (Scan.)
--	532157035	Manual, Operator's (Euro.)
Accessories not included with tractor		
--	C36	Rear Bagger
--	CESS36	Bagger
--	MK360	Mulch Kit

WHEELS & TIRES

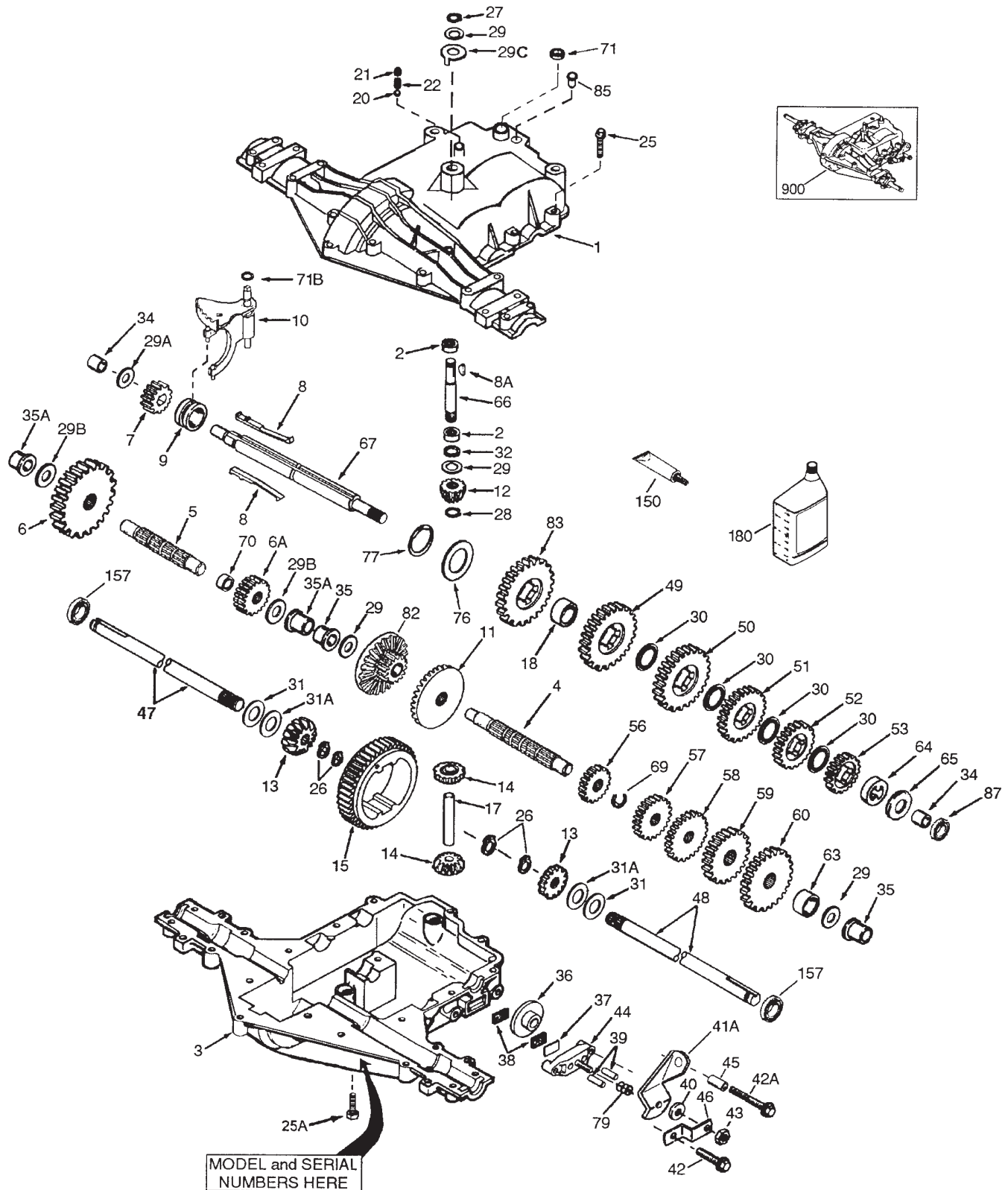


KEY NO.	PART NO.	DESCRIPTION
1	532059192	Cap, Valve
2	532065139	Stem, Valve
3	532124957	Fitting, Grease\ (Front Wheels Only)
4	532137422	Tire, Front
4	532132703	Tire, Rear
5	532059904	Tube, Front (Optional Service Items Only)
5	532008134	Tube, Rear (Optional Service Items Only)
6	532142039	Rim, Front
6	532141652	Rim, Rear
7	532104757	Cap Axle
8	532124959	Bearing Flange
9	532121748	Washer 25/32 x 1-5/8 x 16 Ga.
--	532144334	Sealant, Tire (10 oz. Tube)

NOTE: All component dimensions given in U.S. inches
1 inch = 25.4 mm

For Husqvarna Parts Call 606-678-9623 or 606-561-4983 REPAIR PARTS

TRACTOR - - MODEL NO. LT125 (HE12536C), PRODUCT NO. 954 17 00-01
TRANSAXLE - PEERLESS - MODEL NO. 205-507B



For Husqvarna Parts Call 606-678-9623 or 606-561-4983

REPAIR PARTS

TRACTOR - - MODEL NO. LT125 (HE12536C), PRODUCT NO. 954 17 00-01
TRANSAXLE - PEERLESS - MODEL NO. 205-507B

REF NO.	PART NO.	DESCRIPTION	REF NO.	PART NO.	DESCRIPTION
1	772147	Transaxle Cover	41A	790079	Brake Lever
2	780086A	Needle Bearing 5/8" ID	42	792073A	Screw 1/4-20 x 1-1/4"
3	770128	Transaxle Case	42A	792085A	Screw 1/4-20 x 2-1/4"
4	776395	Countershaft	43	792075	Locknut 5/16-24
5	776409	Output Shaft	44	790025	Brake Pad Holder
6	778364	Spur Gear (38 teeth)	45	786066	Spacer
6A	778369	Spur Gear (15 teeth)	46	786086	Brake Lever Bracket
7	778330	Spur Gear (11 teeth)	47	774690	Axle (11-15/16" long)
8	792180	Shift Key	48	774691	Axle (16-1/2" long)
8A	792047	Woodruff Key #9	49	778356	Spur Gear (29 teeth)
9	784352	Shift Collar	50	778354	Spur Gear (23 teeth)
10	784378	Shift Rod & Fork	51	778352	Spur Gear (19 teeth)
11	778334	Bevel Gear (30 teeth)	52	778350	Spur Gear (16 teeth)
12	778309	Input Bevel Pinion (13 teeth)	53	778346	Spur Gear (15 teeth)
13	778368	Bevel Gear (13 teeth) (Incl. 14)	56	778355	Spur Gear (11 teeth)
14	778367	Bevel Pinion (13 teeth) (Incl. 13)	57	778353	Spur Gear (17 teeth)
15	778370	Ring Gear (43 teeth)	58	778351	Spur Gear (21 teeth)
17	786188	Drive Pin	59	778349	Spur Gear (24 teeth)
18	786102	Spacer	60	778345	Spur Gear (25 teeth)
20	792077	Ball 5/16" dia	63	786071	Countershaft Spacer 1-1/8" x 3/8"
21	792078	Set Screw 3/8-16 x 3/8"	64	786072	Brake Shaft Spacer 1-3/8" x 3/8"
22	792079	Spring	65	780189	Washer
25	792073A	Screw 1/4-20 x 1-1/4"	66	776422	Input Shaft
25A	792177	Screw 1/4-20 x 1-3/8"	67	776396	Shifter & Brake Shaft
26	792125	Retaining Ring (pkg of 2)	69	792170	Retaining Ring
27	792035	Retaining Ring	70	786187	Spacer .890
28	788040	Retaining Ring	71	788069	Square Cut Ring
29	780072	Washer	71B	788092	"O" Ring
29A	780160	Washer	76	780090	Washer
29B	780051	Thrust Washer (.762 ID)	77	788078A	Inverted Retaining Ring
29C	780199	Anti-Rotation Washer .632	79	792144	Spring
30	780108	Washer	82	778333	Bevel & Spur Gear (30 & 13 teeth)
31	780001	Washer (.056 wide) (USE AS NEEDED)	83	778338	Spur Gear (27 teeth)
31A	780195	Flat Washer (.062 wide)	85	792154	Oil Fill Plug
32	788083	Oil Seal 5/8"	87	788089	Oil Seal 9/16"
34	780194	Bushing 9/16"	150	788093A	Liquid Gasket RTV Silicone
35	780193	Flanged Bushing 5/8" ID	157	788088	Oil Seal 3/4"
35A	780197	Flanged Bushing 3/4"	180	730229A	Gear Oil 80W90
36	790075	Brake Disk	900	794684	Replacement 205-507B Transaxle
37	790007	Brake Pad Plate			
38	799021	Brake Pad (pkg of 2)			
39	786026	Dowel Pin			
40	792076A	Flat Washer			

NOTE: All component dimensions given in U.S. inches
1 inch = 25.4 mm