

For Husqvarna Parts Call 606-678-9623 or 606-561-4983



**OWNER'S MANUAL**  
**Model No. EA20B**  
**ELECTRIC LIFT**  
**ACTUATOR KIT**  
**for GARDEN TRACTORS**

- Assembly
- Operation
- Customer Responsibilities
- Repair Parts

For Parts and Service, contact our authorized distributor: call 1-800-849-1297 For Technical Assistance: call 1-800-829-5886

---

 **FRIGIDAIRE**  
**HOME PRODUCTS**

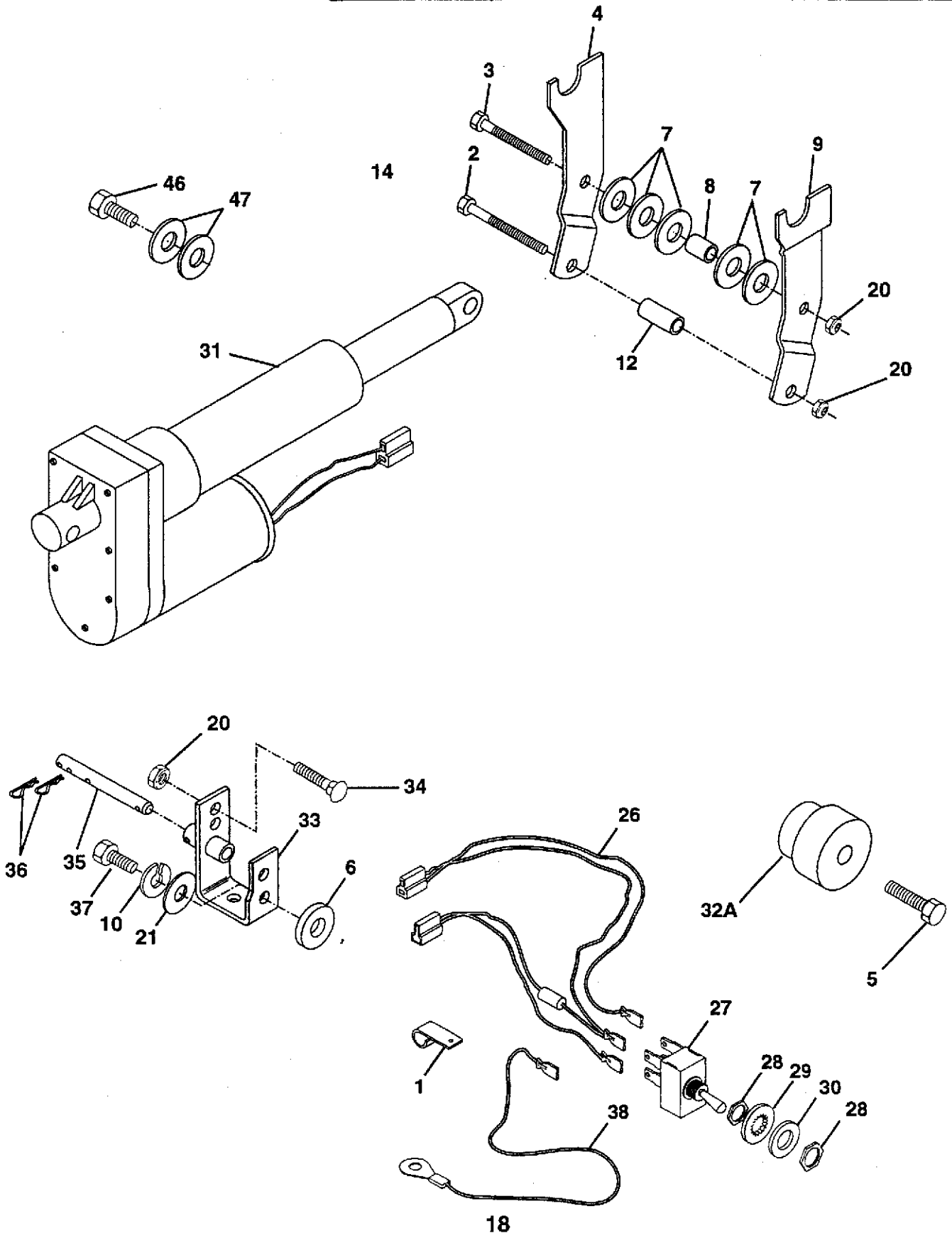
[www.mymowerparts.com](http://www.mymowerparts.com)

For Husqvarna Parts Call 606-678-9623 or 606-561-4983

# REPAIR PARTS

## ELECTRIC ACTUATOR-- MODEL NUMBER EA20B

### GEAR DRIVE, HORIZONTAL ENGINE TYPE TRACTOR

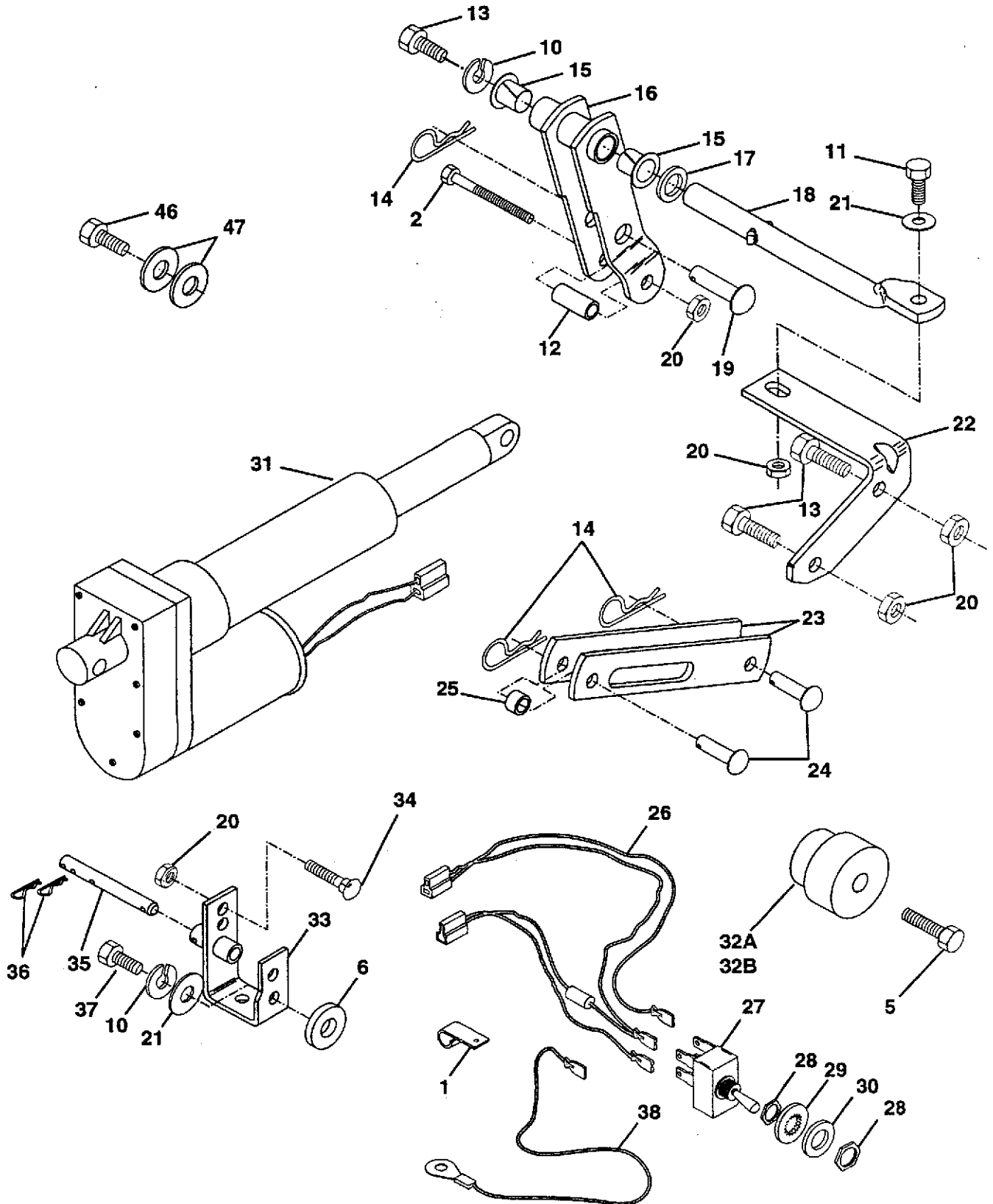


For Husqvarna Parts Call 606-678-9623 or 606-561-4983

# REPAIR PARTS

ELECTRIC ACTUATOR - - MODEL NUMBER EA20B

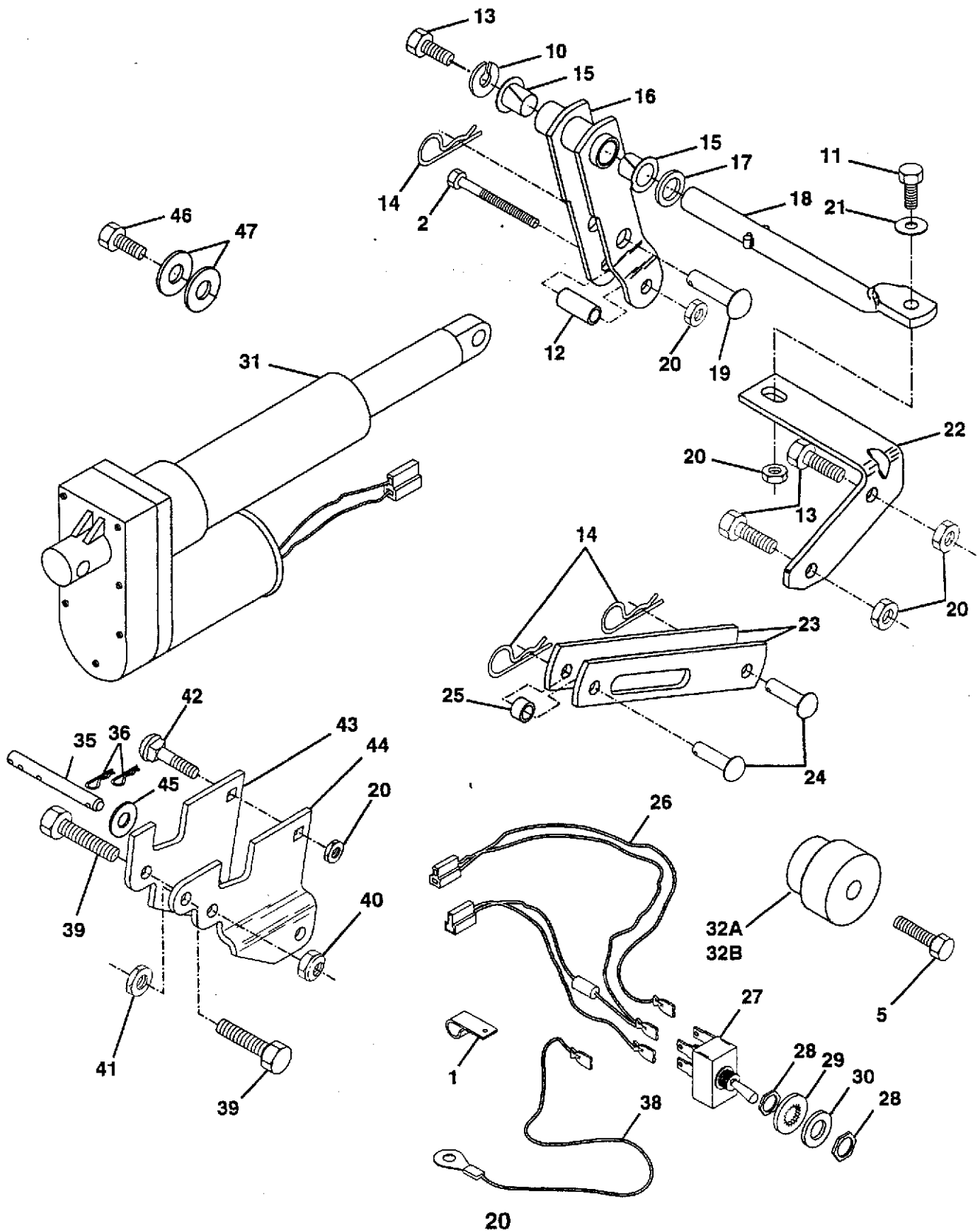
## GEAR DRIVE, VERTICAL ENGINE TYPE TRACTOR



For Husqvarna Parts Call 606-678-9623 or 606-561-4983  
**REPAIR PARTS**

**ELECTRIC ACTUATOR- - MODEL NUMBER EA20B**

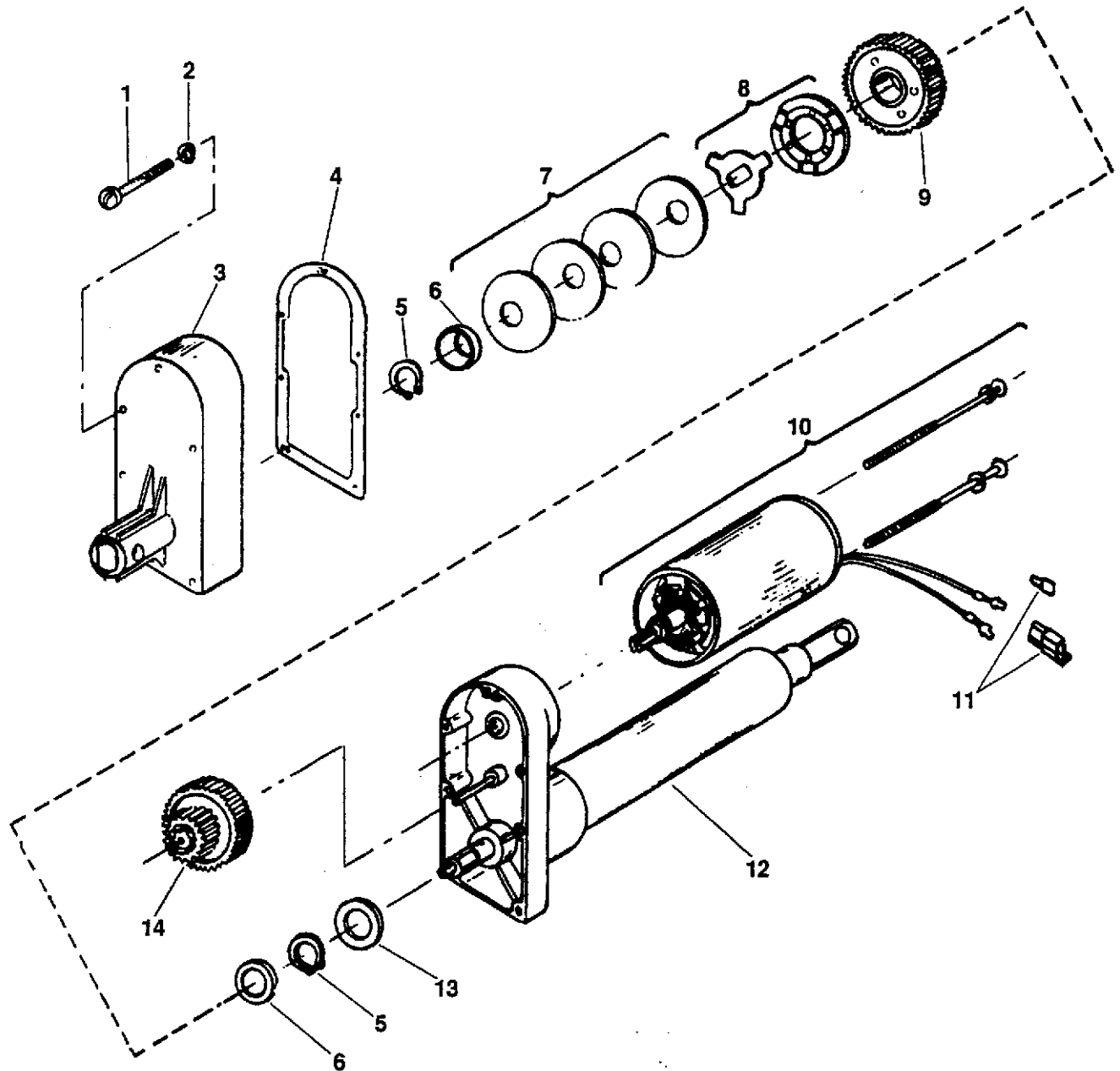
**HYDROSTATIC DRIVE, VERTICAL ENGINE TYPE TRACTOR**



**ELECTRIC ACTUATOR- - MODEL NUMBER EA20B**

| <b>KEY<br/>NO.</b> | <b>PART<br/>NO.</b> | <b>DESCRIPTION</b>                     |
|--------------------|---------------------|--|
| 1                  | 4171R               | Clip, Insulated                        |
| 2                  | 74520636            | Bolt, Hex 3/8-16 x 2-1/4 Grade 5       |
| 3                  | 74520628            | Bolt, Hex 3/8-16 x 1-3/4 Grade 5       |
| 4                  | 5948J               | Bracket, Lift L.H.                     |
| 5                  | 74760622            | Bolt, Hex 3/8-16 x 1-3/8               |
| 6                  | 19131407            | Washer 13/32 x 7/8 x 7 Ga.             |
| 7                  | 19172410            | Washer 17/32 x 1-1/2 x 10 Ga.          |
| 8                  | 5949J               | Tube .384 x 1/2 x 15/16                |
| 9                  | 5947J               | Bracket, Lift R.H.                     |
| 10                 | 10040600            | Washer, Lock                           |
| 11                 | 74760620            | Bolt, Hex 3/8-16 x 1-1/4               |
| 12                 | 5950J               | Bushing .384 x 1/2 x 1-1/4             |
| 13                 | 74760614            | Bolt, Hex 3/8-16 x 7/8                 |
| 14                 | 4939M               | Spring, Retainer                       |
| 15                 | 139276              | Nyliner                                |
| 16                 | 138908              | Arm, Pivot                             |
| 17                 | 19211621            | Washer 21/32 x 1 x 21 Ga.              |
| 18                 | 138914              | Rod, Pivot Support                     |
| 19                 | 138948              | Pin, Pivot                             |
| 20                 | 73800600            | Locknut 3/8-16                         |
| 21                 | 19131416            | Washer 13/32 x 7/8 x 16 Ga.            |
| 22                 | 138912              | Bracket, Pivot Rod                     |
| 23                 | 138905              | Link, Lift                             |
| 24                 | 138947              | Pin, Pivot                             |
| 25                 | 138909              | Spacer                                 |
| 26                 | 127017X             | Harness, Lift Kit                      |
| 27                 | 8984R               | Switch, Lift                           |
| 28                 | 7320R               | Nut, Switch                            |
| 29                 | 7319R               | Washer, Lock Int. Tooth                |
| 30                 | 19151216            | Washer 15/32 x 3/4 x 16 Ga.            |
| 31                 | 124371X             | - Electric, Actuator                   |
| 32A                | 105624X             | Hub, Lever Lift (Splined)              |
| 32B                | 156816              | Hub, Lever Lift (Tapered)              |
| 33                 | 677A886             | Bracket, Assembly Actuator, Gear Drive |
| 34                 | 72270608            | Bolt, Carriage 3/8-16 x 1              |
| 35                 | 140877              | Pin, Actuator                          |
| 36                 | 4940M               | Spring, Retainer                       |
| 37                 | 74760616            | Bolt, Hex 3/8-16 x 1                   |
| 38                 | 9698R               | Wire, Ground                           |
| 39                 | 74780720            | Bolt, Hex 7/16-14 x 1-1/4              |
| 40                 | 73350700            | Jam Nut 7/16-14                        |
| 41                 | 73800700            | Locknut 7/16-14                        |
| 42                 | 72140610            | Carriage Bolt 3/8-16 x 1-1/4           |
| 43                 | 140876              | LH Actuator Bracket, Hydro             |
| 44                 | 140875              | RH Actuator Bracket, Hydro             |
| 45                 | 19171216            | Washer 17/32 x 3/4 x 16 Ga.            |
| 46                 | 74760520            | Bolt, Hex 5/16-18 x 1-1/4              |
| 47                 | 19112410            | Washer 11/32 x 1-1/2 x 10 Ga.          |

**ELECTRIC ACTUATOR- - MODEL NUMBER EA20B**



| KEY NO. | PART NO. | DESCRIPTION                                  |
|---------|----------|--|
| 1       | 1862J    | Screw - Sl. Fil. Hd. Mach. No. 10-32 x 1-5/8 |
| 2       | 1863J    | Lockwasher - No. 10                          |
| 3       | 8331J    | Housing Cover                                |
| 4       | 1857J    | Cover Gasket                                 |
| 5       | 1865J    | Snap Ring                                    |
| 6       | 1864J    | Retaining Ring                               |
| 7       | 677A149  | Spring Washer (Use 3 or 4 as req'd.)         |

| KEY NO. | PART NO. | DESCRIPTION   |
|---------|----------|---|
| 8       | 674A281  | Pawl & Ramp Washer  |
| 9       | 1859J    | Out put Gear  |
| 10      | 1861J    | Motor - 12V   |
| 11      | 673A218  | Connector Body Kit  |
| 12      | ---      | Not Serviced Separately Order complete actuator Part# 124371X |
| 13      | 1860J    | Thrust Washer   |
| 14      | 1858J    | Intermediate Gear   |