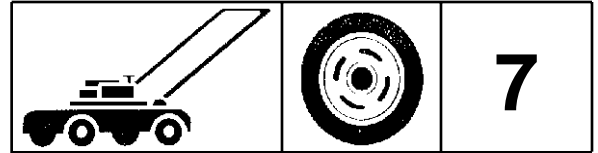
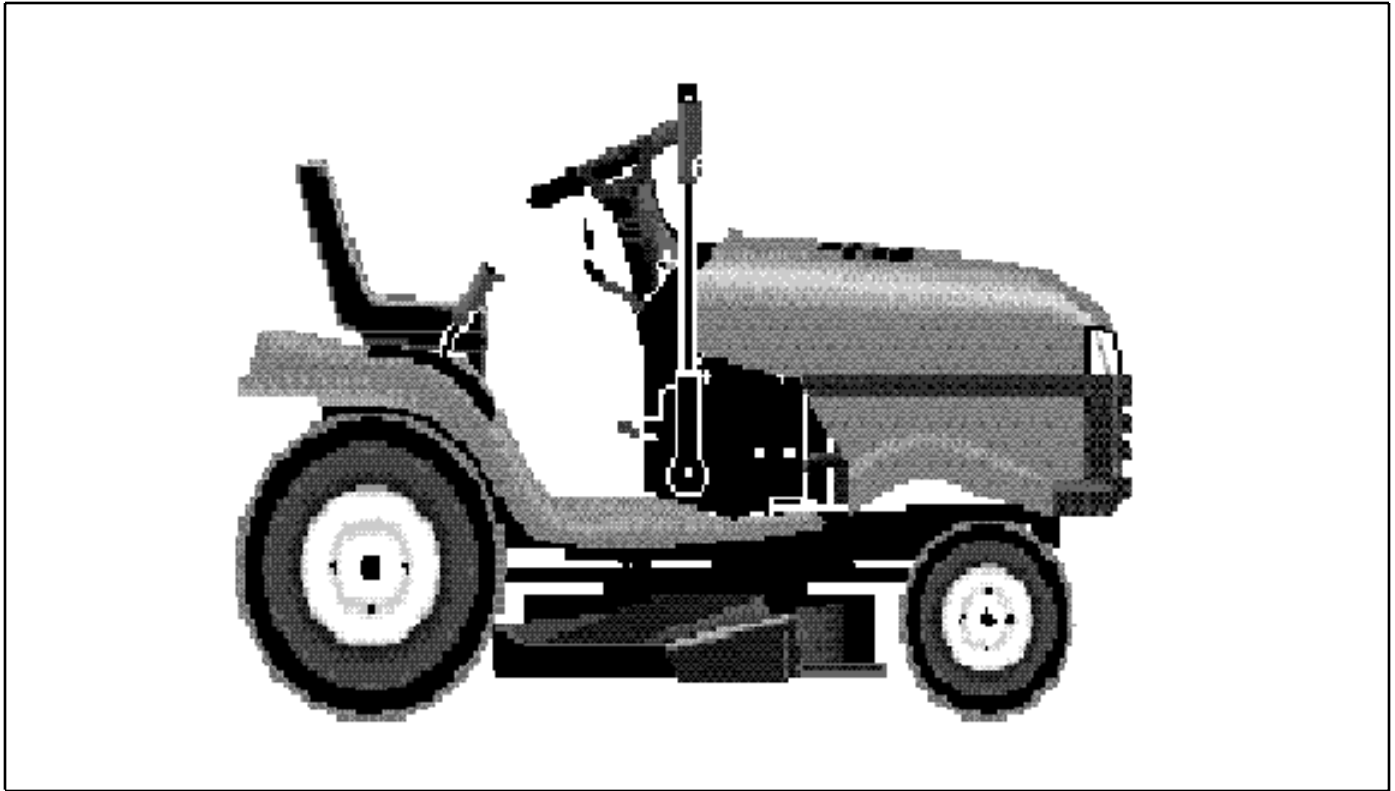


For Husqvarna Parts Call 606-678-9623 or 606-561-4983

 **Husqvarna**



LTH 130

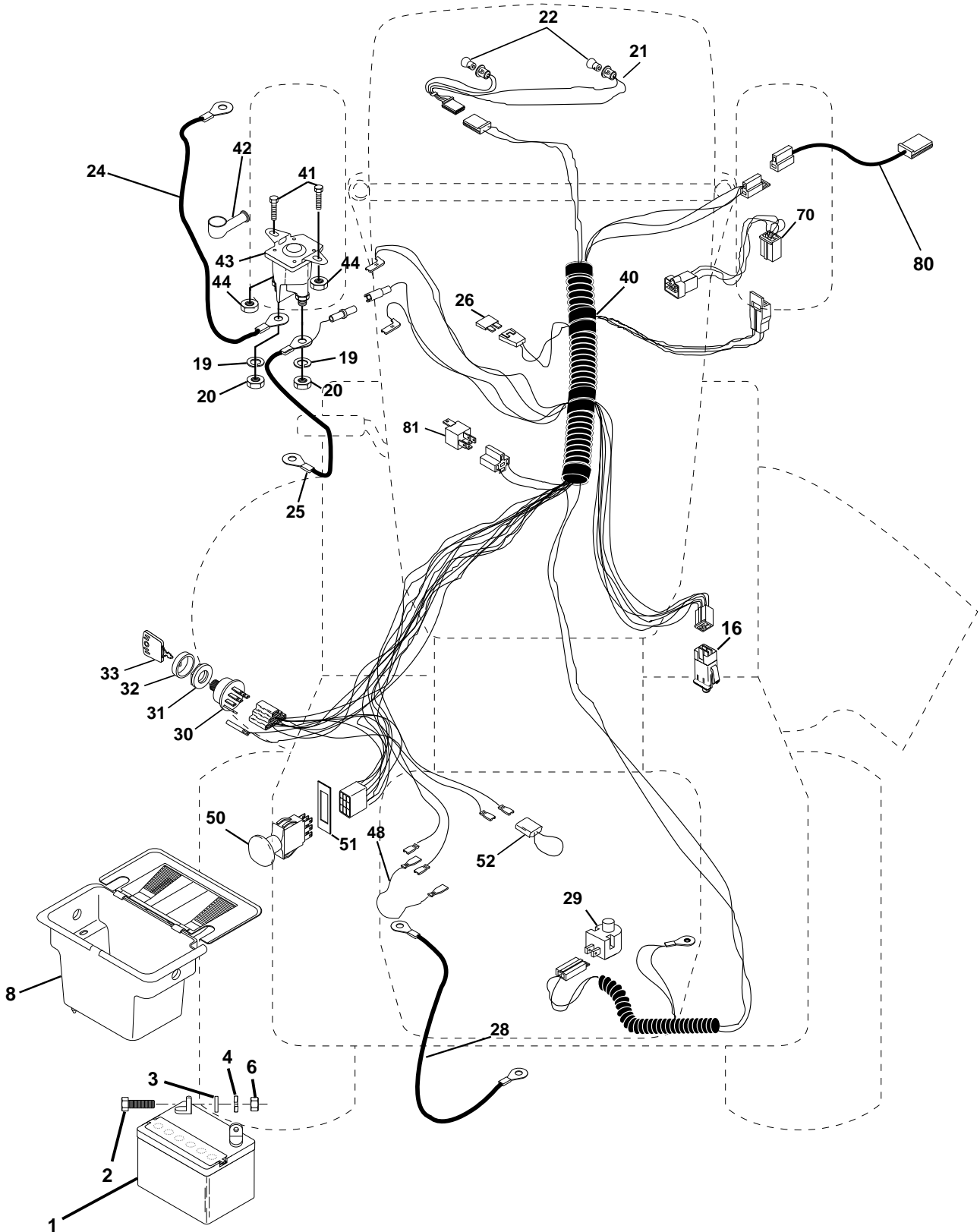


07.1998
PARTS LISTING

954140005G

For Husqvarna Parts Call 606-678-9623 or 606-561-4983 REPAIR PARTS

TRACTOR - MODEL NO. LTH130 (954140005G), PRODUCT NO. 954 14 00-05
ELECTRICAL



For Husqvarna Parts Call 606-678-9623 or 606-561-4983

REPAIR PARTS

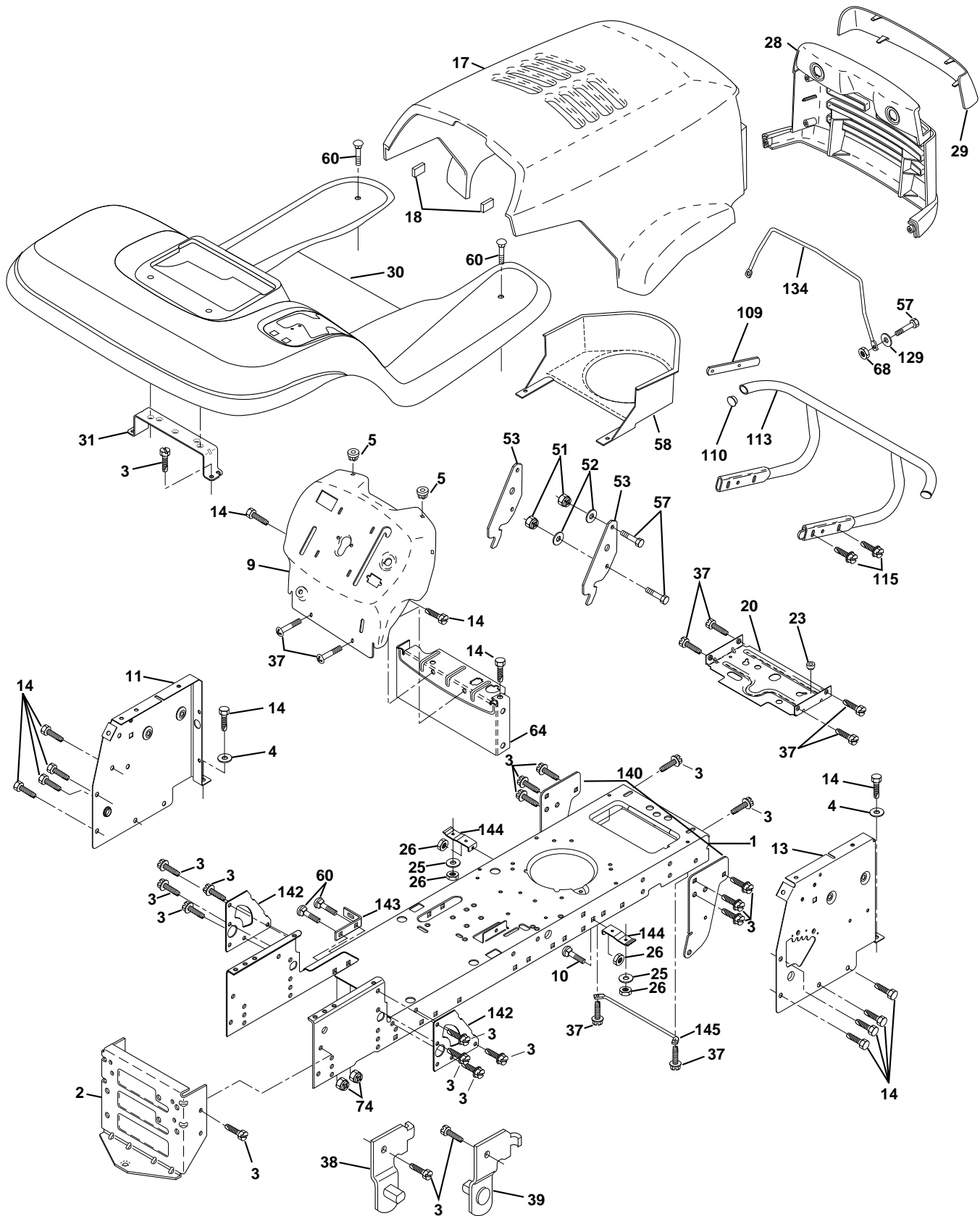
TRACTOR - MODEL NO. LTH130 (954140005G), PRODUCT NO. 954 14 00-05
ELECTRICAL

KEY NO.	PART NO.	DESCRIPTION
1	532144925	Battery 12 Volt 25 AMP
2	874760412	Bolt Hex Hd 1/4-20unc x 3/4
3	819091016	Washer 9/32 x 5/8 x 16 Ga.
4	810040400	Washer Lock Hvy Helical 1/4
6	873220400	Nut Fin Hex 1/4-20 Unc
8	532156417	Case Battery Mech Hinge
16	532153664	Switch Interlock Push-In
19	810090400	Washer Lock 1/4
20	873350400	Nut Jam Hex 1/4-20 Unc
21	532136850	Harness Asm Light W/4152j
22	532004152	Bulb Light #1156
24	532124780	Cable Battery 6 Ga 11" red
25	532146147	Cable Battery 6 Ga 44" red w/16 wire
26	532108824	Fuse 30 AMP Auto Green
28	532124773	Cable Ground 6 Ga 12" black
29	532160784	Switch Plunger Normal OP Olive
30	532140301	Switch Ign 4 pos w/lights
31	532124211	Nut Ignition
32	532141226	Cover Sw Ignition
33	532122147	Key Ign Molded Indak
40	532160720	Harness Ign.
41	871110408	Bolt Blk Fin Hex 1/4 - 20 x 1/2
42	532131563	Cover Terminal Red
43	532145673	Solenoid
44	873640400	Nut Keps Hex 1/4-20 Unc
48	532140844	Adapter Ammeter Rectangular
50	532154959	Switch PTO 3PDT Black Delta 96
51	532140405	Ring Retainer PTO
52	532141940	Protection Wire Loop
70	532140426	Harness, Eng. kohl Cmd-L
80	532146685	Harness Clutch EVX
81	532109748	Relay Asm

NOTE: All component dimensions given in U.S. inches.
1 inch = 25.4 mm.

For Husqvarna Parts Call 606-678-9623 or 606-561-4983 REPAIR PARTS

TRACTOR - MODEL NO. LTH130 (954140005G), PRODUCT NO. 954 14 00-05
CHASSIS AND ENCLOSURES



For Husqvarna Parts Call 606-678-9623 or 606-561-4983

REPAIR PARTS

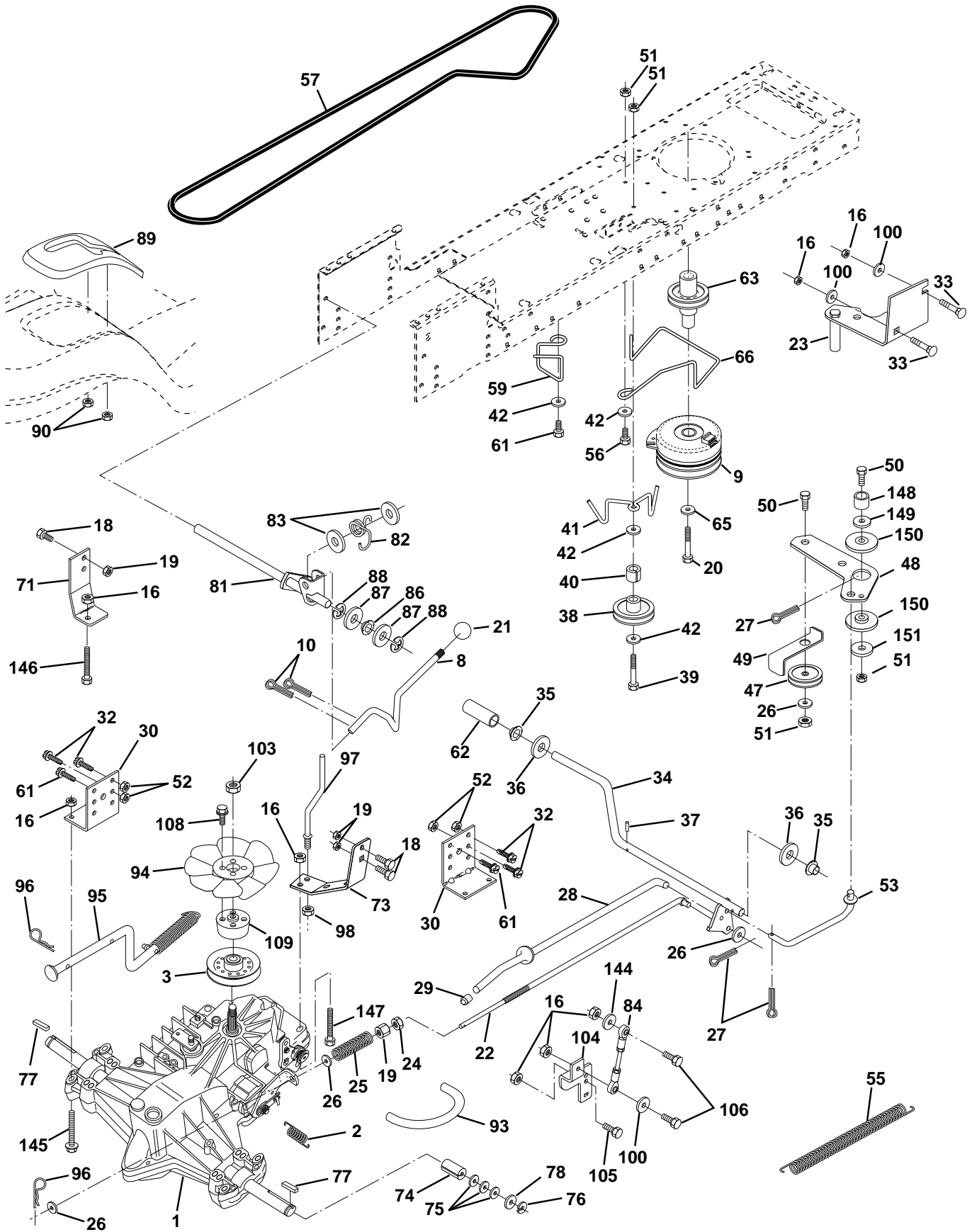
TRACTOR - MODEL NO. LTH130 (954140005G), PRODUCT NO. 954 14 00-05
CHASSIS AND ENCLOSURES

KEY NO.	PART NO.	DESCRIPTION
1	532160392	Chassis STL Stamping 98
2	532140356	Drawbar, Stretch
3	817490612	Screw Thdrol 3/8-16x3/4 Ty-tt
4	819131216	Washer 13/32 x 3/4 x 16 Ga.
5	532155272	Bumper Hood/Dash
9	532157409	Dash P/L M, N/AMM N/HM Grey
10	872140608	Bolt Carriage 3/8-16 x 1
11	532155927	Panel Dash Lh
13	532157262	Panel Dash Rh
14	817490608	Screw Thdrol 3/8-16x1/2 Ty-tt
17	532156051	Hood LT/PL Husqvarna
18	532126938	Bumper Hood
20	532156437	Plate Mtg Battery Fuel Tank Fr
23	532124028	Bushing
25	819131312	Washer 13/32 X 13/16 X 12 Ga
26	873800600	Nut Lock Hex W/Ins 3/8-16 Unc
28	532149776	Grille LT/PL Husqvarna
29	532149777	Lens LT/PL Husqvarna
30	532156489	Fender Footrest STLT Pnt
31	532139976	Bracket Support Fender
37	817490508	Screw Thdrol 6/16-18 x 1/2 TYT
38	532139886	Bracket, Asm. Pivot, L.H., Mower Rear
39	532139887	Bracket, Asm. Pivot, R.H., Mower Rear
51	873800400	Nut Lock Hex W/Ins 1/4-20
52	819091416	Washer 9/32 x 7/8 x 16 Ga.
53	532150067	Bracket Pnt. Pick off LT/PL Husqvarna
57	874780412	Bolt Hex 1/4-20 x 3/4
58	532150127	Air Duct Engine P/L
60	872140606	Bolt Rdhd Sqnk 3/8-16unc x 3/4
64	532154798	Dash Lower STLT
68	873510400	Nut Keps Hex 1/4-20 UNC
74	873680600	Nut Crownlock 3/8-16 UNC
109	532141461	Bracket Extension Bumper
110	532143679	Plug Plastic
113	532150300	Bumper Asm.
115	817490620	Screw Thdrol 3/8-16 x 1-1/4
129	819091016	Washer 9/32 x 5/8 x 16 Ga.
134	532160219	Rod Support Hood LT/PL Husq.
140	532158418	Bracket Suspension Front
142	532156095	Plate Reinforcement STLT
143	532154966	Bracket Swaybar Chassis
144	532154207	Bracket Pnt Footrest STLT
145	532156524	Rod Pivot Chassis/Hood
--	532005479	Plug Button

NOTE: All component dimensions given in U.S. inches
1 inch = 25.4 mm

For Husqvarna Parts Call 606-678-9623 or 606-561-4983 REPAIR PARTS

TRACTOR - MODEL NO. LTH130 (954140005G), PRODUCT NO. 954 14 00-05
DRIVE



For Husqvarna Parts Call 606-678-9623 or 606-561-4983

REPAIR PARTS

TRACTOR - MODEL NO. LTH130 (954140005G), PRODUCT NO. 954 14 00-05

DRIVE

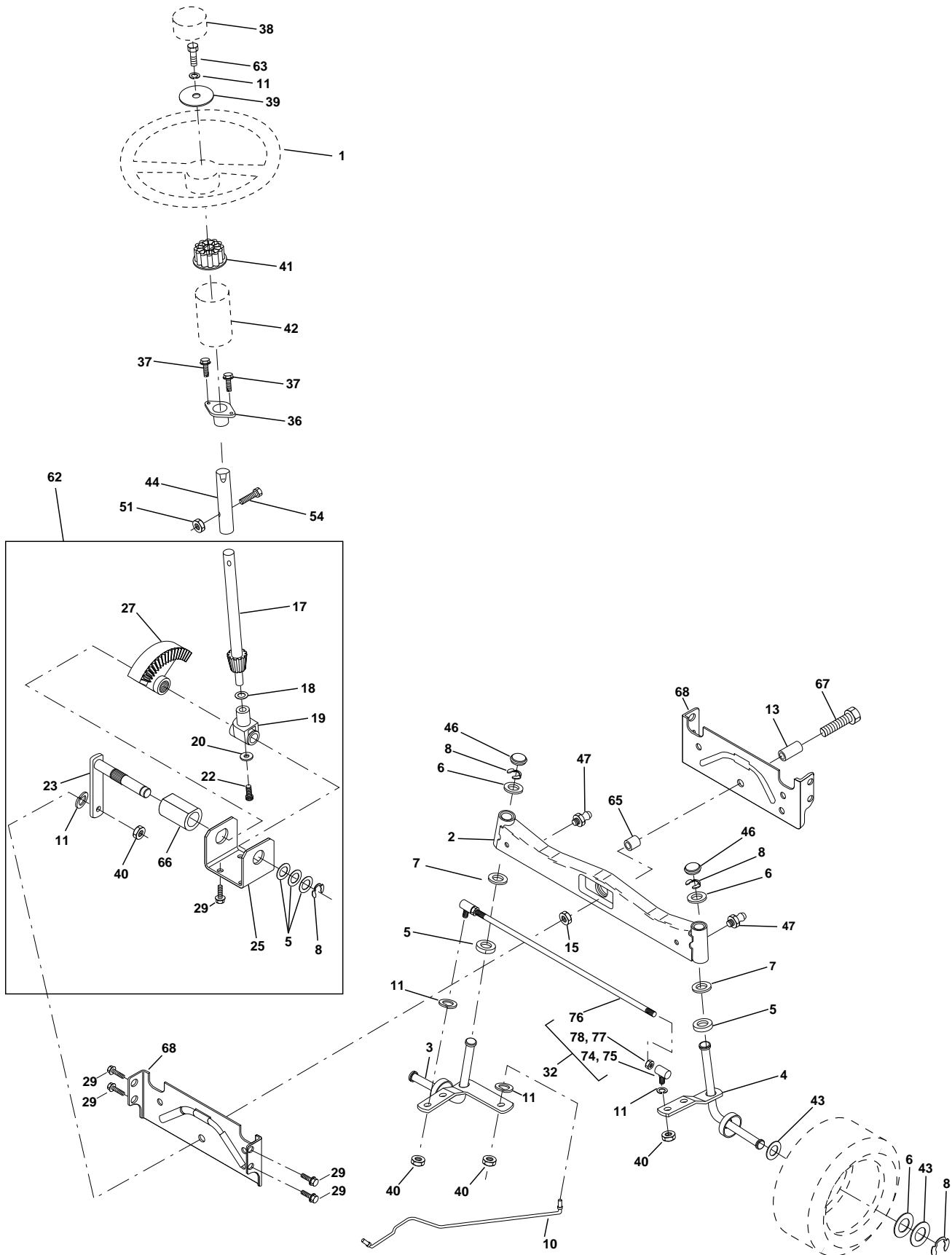
KEY PART NO.	NO.	DESCRIPTION	KEY PART NO.	NO.	DESCRIPTION
1	-----	Transaxle (See Breakdown) Hydro Gear, Model No. 310-0500	61	817490612	Screw Thdrol. 3/8-16 x 3/4 Ty. TT
2	532142431	Spring, Return, Brake	62	532124872	Cover, Pedal
3	532144698	Pulley, Transaxle	63	532161400	Pulley, Clutch Electric EVX
8	532154792	Rod Shift Fender STLT	65	810040700	Washer
9	532145028	Clutch, Elect. EVX LT Mag 5217-2	66	532161488	Keeper Belt Engine Hydro
10	876020416	Pin Cotter 1/8 x 1 CAD	71	532141417	Strap Torque Lh Hydro
16	873800500	Nut Lock Hex W/Ins. 5/16-18 Unc P	73	532141418	Strap Torque Rh Hydro
18	874780616	Bolt Fin Hex 3/8-16 Unc x 1 Gr. 5	74	532121199	Spacer, Split
19	873800600	Nut Lock Hex W/Wsh 3/8-16 Unc	75	532121749	Washer 25/32 x 1-1/4 x 16 Gauge
20	532150280	Bolt Hex 7/16-20 x 4-1/4 Ga. 1.38	76	812000001	E-Ring
21	532121274	Knob, Duckhead 1/2-13	77	532123583	Key, Square
22	532145627	Rod, Brake Hydro	78	532121748	Washer 25/32 x 1-5/8 x 16 Gauge
23	532154978	Bracket, Asm Clutch Mtg EVX	81	532161081	Shaft Asm. Cross Hydro
24	873350600	Nut	82	532123782	Spring Torsion T/A
25	532106888	Spring, Brake Rod	83	819171216	Washer 17/32 x 3/4 x 16 Ga.
26	819131316	Washer	84	532141423	Rod, Tie Hydro
27	876020412	Pin Cotter 1/8 x 3/4 CAD.	86	532157480	Bushing Rod Steering 629/632 ID
28	532145204	Rod, Parking Brake	87	819212016	Washer 21/32 x 1-1/4 x 16 Ga.
29	532071673	Cap, Parking Brake	88	812000008	Ring Klip #5304-62
30	532130807	Bracket, Transaxle	89	532158388	Console, Shift
32	874760512	Bolt Hex Hd 5/16-18 Unc x 3/4	90	532124346	Nut, Self-Thd Wsh-hd 1/4 Zinc
33	872140506	Bolt Rdhd Sqnk 5/16-18 UNC x 3/4	93	532142564	Line Fuel Hydro 4"
34	532155071	Shaft, Foot Pedal	94	532140462	Fan, Hydro 7"
35	532120183	Bearing, Nylon	95	532144643	Control Asm Bypass Hydro
36	819211616	Washer	96	532124788	Retainer Spring 1" Zinc/Cad
37	532124963	Pin, Roll	97	532144201	Keeper Belt Rh Hydro
38	532123674	Pulley, Idler, Flat	98	873510600	Nut Keps Hex 3/8-16 Unc
39	874760644	Bolt	100	819111216	Washer 11/32 x 3/4 x 16 Ga.
40	532124965	Spacer, Split	103	873940800	Nut Nylon Insert 1/2-20 Unf.
41	532154777	Keeper, Belt Idler	104	532141421	Arm, Control Hydro
42	819131312	Washer 13/32 x 13/16 x 12 Gauge	105	871070516	Screw Cap Hex 5/16 x 18 x 1
47	532127783	Pulley, Idler, V-Groove	106	874780520	Bolt Fin Hex 5/16-18 Unc x 1-1/4
48	532154407	Bellcrank Clutch Grnd Drv Stl	108	817541026	Screw Hex Wh Hd #10-24 x
49	532123205	Retainer, Belt	109	532145098	Adaptor Fan Hydro LT Hyd Alum
50	874760624	Bolt	144	819111016	Washer 11/32 x 5/8 x 16 Ga.
51	873680600	Nut	145	874490540	Bolt, Hex Flghd 5/16-18 Gr. 5
52	873680500	Nut Crownlock 5/16-18	146	874990524	Bolt Hex Flghd 5/16-18 x 1-1/2
53	532105710	Link, Clutch	147	874490536	Bolt Hex Flghd 5/16-18 x 2-1/4
55	532105709	Spring, Return, Clutch	148	532159103	Spacer
56	874760620	Bolt Fin Hex 3/8-16 UNC x 1-1/4	149	532122052	Spacer Retainer PM Mower
57	532161850	V-Belt, Ground Drive	150	532150935	Bushing Nylon Collered
59	532140312	Keeper, Center Span	151	819133210	Washer 13/32 x 2 x 10 Ga.

NOTE: All component dimensions give in U.S. inches.
1 inch = 25.4 mm.

For Husqvarna Parts Call 606-678-9623 or 606-561-4983
REPAIR PARTS

TRACTOR - MODEL NO. LTH130 (954140005G), PRODUCT NO. 954 14 00-05

STEERING ASSEMBLY



REPAIR PARTS

TRACTOR - MODEL NO. LTH130 (954140005G), PRODUCT NO. 954 14 00-05

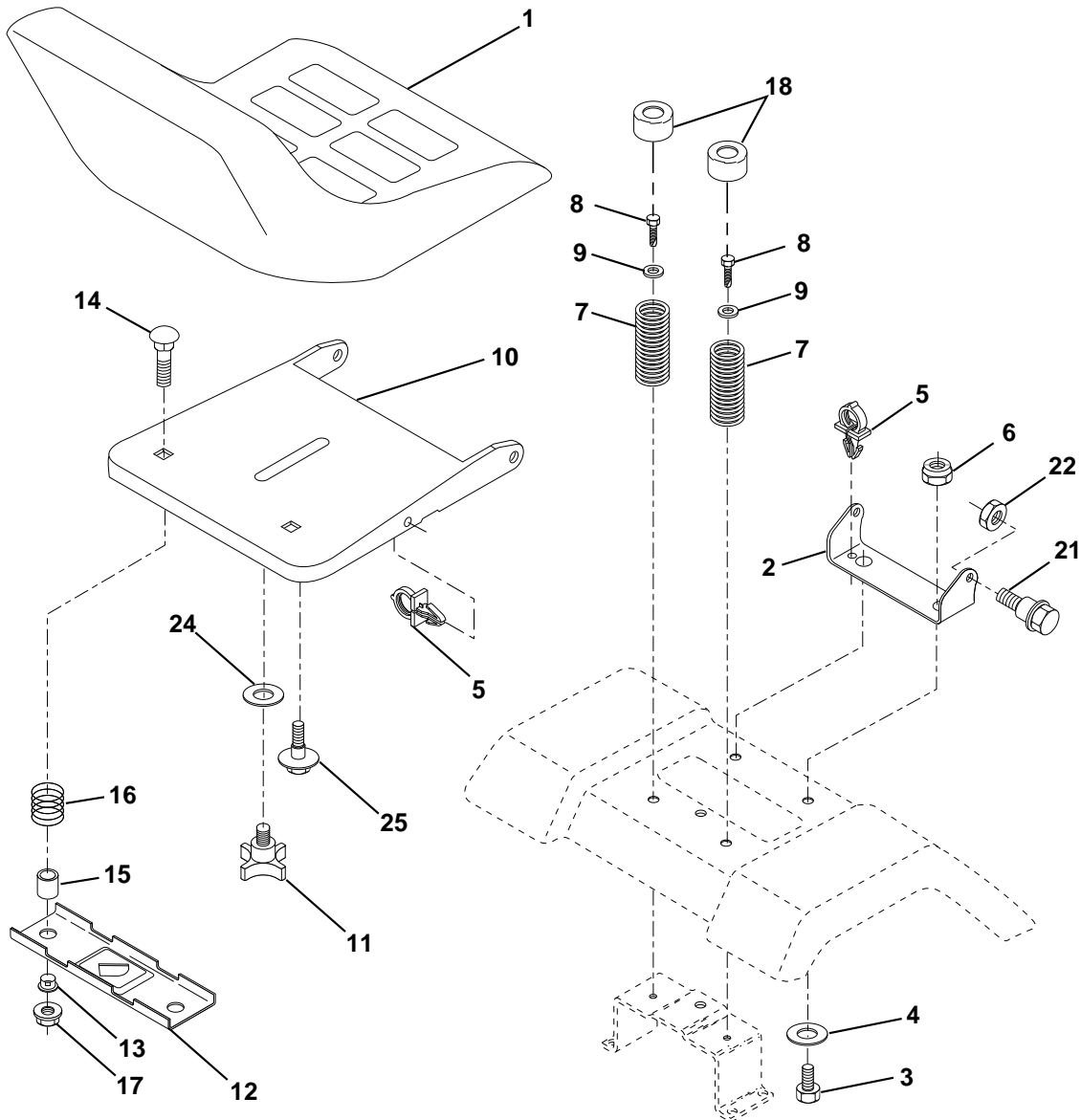
STEERING ASSEMBLY

KEY NO.	PART NO.	DESCRIPTION
1	532124415	Wheel Steering
2	532137094	Axle Front Casting Machined
3	532157479	Spindle Asm LH Cast 15"
4	532157478	Spindle Asm RH Cast 15"
5	532124931	Bearing Race Thrust Harden
6	532121748	Washer 25/32 X 1-5/8 X 16 Ga
7	819272016	Washer 27/32 X 1-1/4 X 16 Ga
8	812000029	Ring Klip #t5304-75
9	532124937	Bearing Col Strg Blk
10	532154432	Link Drag Extended Cast
11	810040600	Washer Lock Hvy Hlcl Spr 3/8
13	532154779	Bearing Axle STLT/GT
15	873901000	Nut Lock Flange 5/8-11 Unc
17	532156546	Shaft Asm Strg
18	532057079	Washer Thrust 515x 750x 033
19	532124035	Support Shaft
20	532126684	Washer Shim 1/4 X 5/8 X 062
22	871200410	Screw Hex Socket 1/4-20 x 5/8
23	532127501	Shaft Asm Pittman
25	532154406	Bracket Steering
27	532136874	Gear Sector
29	817490612	Screw Thdrol 3/8-16x3/4 Ty-tt
32	532137347	Rod Asm Tie Ball J Adj VGT
36	532155099	Bushing Strg
37	532152927	Screw
38	532124416	Insert Cap Strg Wh Au
39	819133808	Washer 13/32 X 2-3/8 X 8 Ga
40	532124701	Lock nut
41	532100711	Adaptor Wheel Strg
42	532155092	Boot Steering Shaft
43	532121749	Washer 25/32 X 1 1/4 X 16 Ga
44	532153720	Extension Steering Shaft LR/LT
46	532121232	Cap Spindle Fr Top Blk
47	532124836	Fitting Grease
51	873800500	Nut Lock Hex w/Ins 5/16-18
54	874780520	Bolt Fin Hex 5/16-18 Unc x 1-1/4
62	532156594	Kit, Steering Assembly Svc
63	874780616	Bolt Fin Hex 3/8-16unc x 1 Gr. 5
65	532154780	Spacer Axle
66	532154404	Bearing Arm Pittman
67	874781044	Bolt, Fin Hex 5/8-11 UNC x 2-3/4
68	532154429	Axle, Brace
74	532109850	Joint Asm Ball Rh
75	532109851	Joint Asm Ball Lh
76	532137156	Rod Tie Ball J Adj
77	873700600	Nut Hex Jam 3/8-24 Unf Lh
78	873360600	Nut Hex Jam 3/8-24 Unf

NOTE: All component dimensions given in U.S. inches.
1 inch = 25.4 mm.

For Husqvarna Parts Call 606-678-9623 or 606-561-4983 REPAIR PARTS

TRACTOR - MODEL NO. LTH130 (954140005G), PRODUCT NO. 954 14 00-05
SEAT ASSEMBLY



KEY PART NO. NO.

DESCRIPTION

1	532140838	Seat
2	532140551	Bracket Pivot Seat 8 720
3	874760616	Bolt Fin Hex 3/8-16unc X 1
4	819131610	Washer 13/32 X 1 X 10 Ga
5	532145006	Clip Push-In
6	873800600	Nut Hex w/Ins. 3/8-16 Unc
7	532124181	Spring Seat Cprsn 2 250 Blk Zi
8	817490616	Screw Thdrol 3/8-16 X 1 Ty-tt
9	819131614	Washer 13/32 X 1 X 14 Ga.
10	532155925	Pan Seat
11	532120068	Knob Seat 1/2-13 UNC Blk
12	532121246	Bracket Mounting Switch

KEY PART NO. NO.

DESCRIPTION

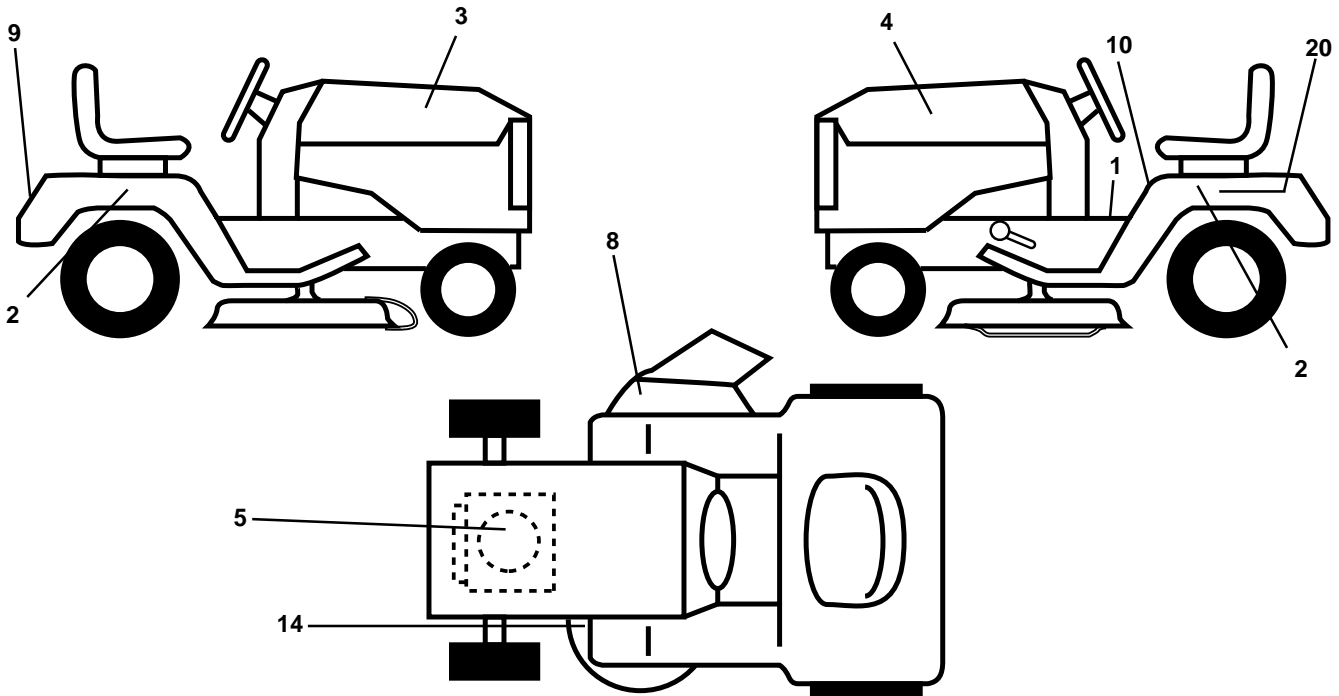
13	532121248	Bushing Snap Blk Nyl 50 Id
14	872050412	Bolt Rdhd Sqnk 1/4-20x1-1/2
15	532134300	Spacer Split 28x 96 Yel Zinc
16	532121250	Spring Cprsn 1 27 Blk Pnt
17	532123976	Nut Lock 1/4 Lge Flg Gr 5 Zinc
18	532124238	Cap Spring Seat
21	532153236	Bolt Shoulder 5/16-18 Unc
22	873800500	Nut Hex Lock W/Ins 5/16-18
24	819171912	Washer 17/32 X 1-3/16 X 12 Ga.
25	532127018	Bolt Shoulder 5/16-18 X 62

NOTE: All component dimensions given in U.S. inches.
1 inch = 25.4 mm

For Husqvarna Parts Call 606-678-9623 or 606-561-4983 REPAIR PARTS

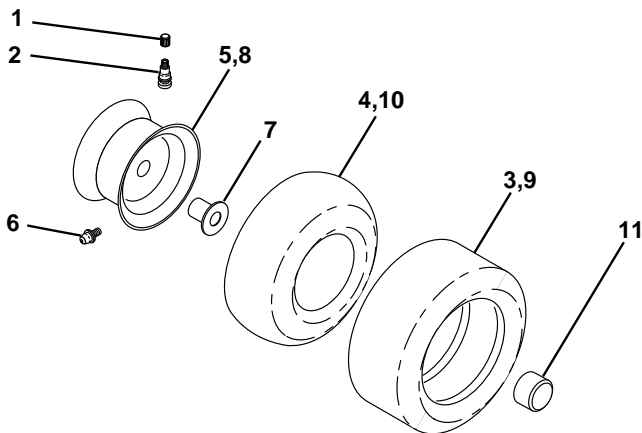
TRACTOR - MODEL NO. LTH130 (954140005G), PRODUCT NO. 954 14 00-05

DECALS



KEY NO.	PART NO.	DESCRIPTION	KEY NO.	PART NO.	DESCRIPTION
1	532157032	Decal Oper Step Thru Eng/Fr	--	532154516	Pad Footrest RH STLT
2	532157007	Decal Fender Ajuto Husq. Radius	--	532138311	Decal Handle Lft Height Adjust
3	532150725	Decal Hood RH	--	532142341	Decal Drawbar Cntrl Mvt Hyd LT
4	532150726	Decal Hood LH	--	532164885	Manual Owner's (English)
5	532151124	Decal HP Engine	--	532164886	Manual Owner's (French)
8	532137259	Decal Warning	Available accessories not included with tractor:		
9	532150617	Decal Fender Husq	--	LSB42	42" Snow Blower
10	532157140	Decal Fender Danger Eng/Fr	--	LC05	Wheel Wts (pair)
14	532160396	Decal V-Belt Schematic	--	CH12	Tire Chains 18 x 8.5 x 8
20	532145005	Decal Bat Dan/Psn	--	LBD48	48" Snow Blade
--	532154515	Pad Footrest LH STLT	--	MP42	Mulch Plate

WHEELS & TIRES

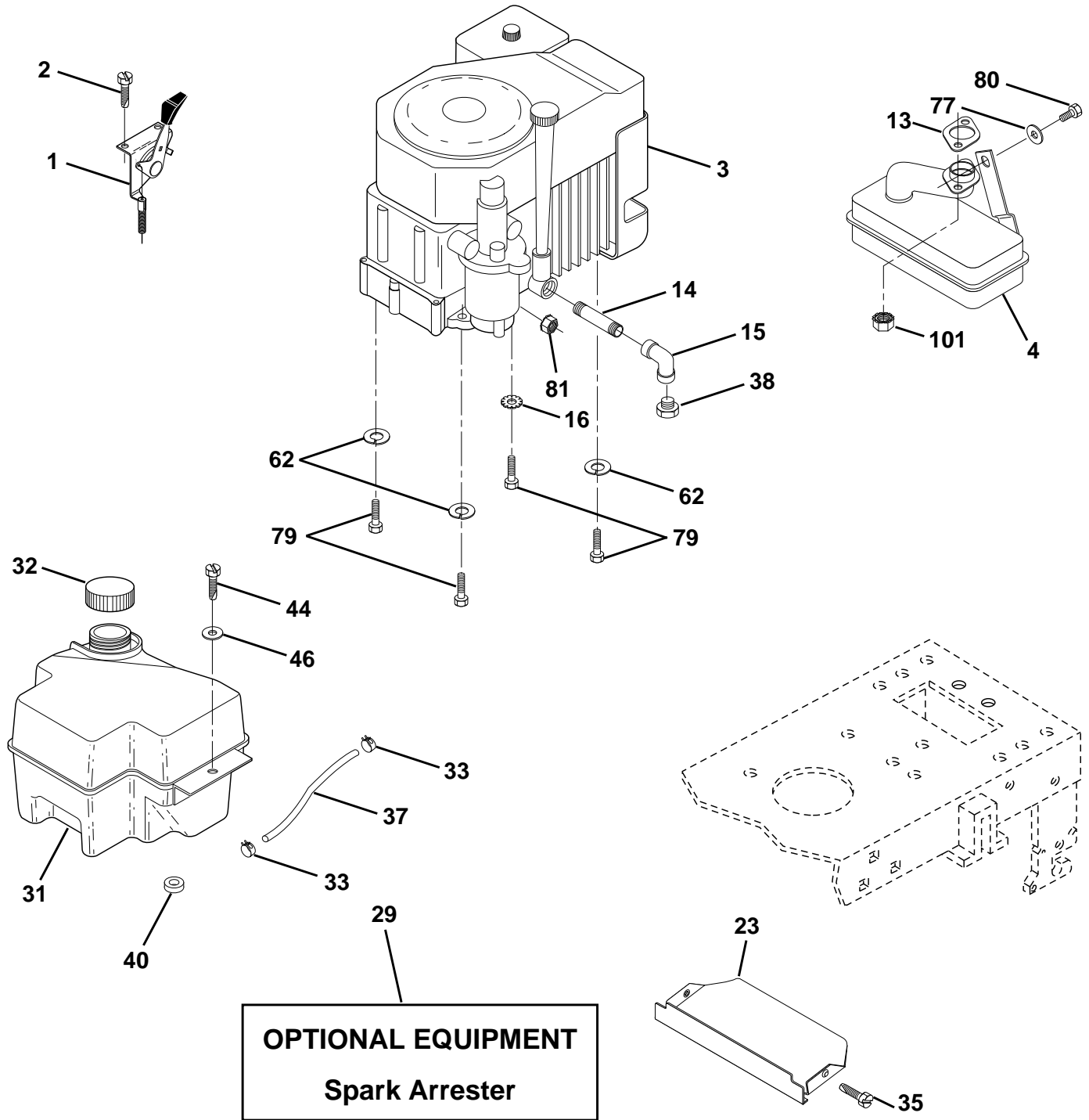


KEY NO.	PART NO.	DESCRIPTION
1	532059192	Cap Valve Tire
2	532065139	Stem Valve
3	532106222	Tire F Ts 15 X 6 0 - 6 Service
4	532059904	Tube Front (Service Item Only)
5	532138336	Rim Asm 6" front Silver Service
6	532124957	Fitting Grease (Front Wheel Only)
7	532124959	Bearing Flange (Front Wheel Only)
8	532138337	Rim Asm 8" rear Silver Service
9	532124635	Tire R Ts 18x8 5-8 C Service
10	532124926	Tube Rear (Service Item Only)
11	532104757	Cap Axle Blk 1 50 X 1 00
--	532144334	Sealant, Tire (10 oz. Tube)

NOTE: All component dimensions given in U.S. inches
1 inch = 25.4 mm

For Husqvarna Parts Call 606-678-9623 or 606-561-4983 REPAIR PARTS

TRACTOR - MODEL NO. LTH130 (954140005G), PRODUCT NO. 954 14 00-05
ENGINE



For Husqvarna Parts Call 606-678-9623 or 606-561-4983

REPAIR PARTS

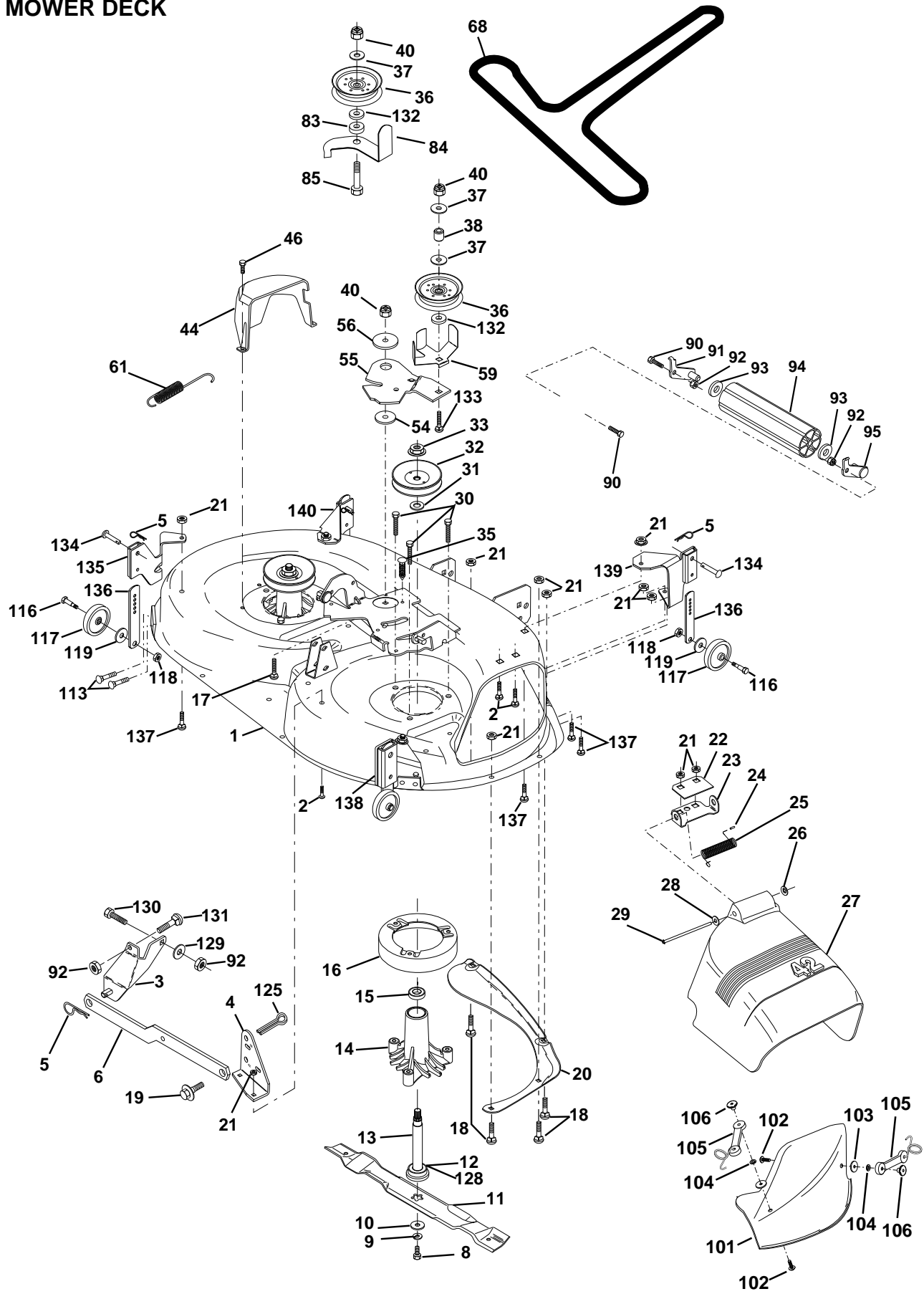
TRACTOR - MODEL NO. LTH130 (954140005G), PRODUCT NO. 954 14 00-05
ENGINE

KEY NO.	PART NO.	DESCRIPTION
1	532141296	Control THTICH 27 LH FLAG DOM
2	817720410	Screw Hex Thd Cut 1/4-20 x 5/8 T
3	-----	Engine Kohler CV15S
4	532137350	Muffler
13	532163831	Gasket Kohler CV13-CV16.5
14	813280328	Nipple Pipe 3/8 Npt X 3-1/2
15	813200300	Elbow Std 90 Degree 3/8-18 Npt
16	811050500	Washer Lock Ext Tooth 5/16
23	532159880	Shield Browning/Debris Guard
29	532137180	Kit Spark Arrestor (Flat Scrn)
31	532161911	Tank Fuel Front 2 00 Gal Nat
32	532140527	Cap Asm Fuel W/sym Vented
33	532123487	Clamp Hose Black
35	817490512	Screw
37	532137040	Line Fuel 20"
38	-----	Plug Oil Drain (Order From Engine Manufacturer)
40	532124028	Bushing Snap Nyl Blk Fuel Line
44	817490412	Screw Hexwsh Thdrol 1/4-20x3/4
46	819091416	Washer 9/32 X 7/8 X 16 Ga
62	810040500	Washer Lock Hvy Hlcl Spr 5/16
77	819101216	Washer 5/16 x 3/4 x 16 Ga.
79	532125398	Bolt Hex
80	874760508	Bolt Hex Hd 5/16-18 UNC x 1/2
81	532128861	Nut Flange 1/4-20 Starter Nut
101	532163305	Nut Flange Me-1.25 Non-LK

NOTE: All component dimensions given in U.S. inches
1 inch = 25.4 mm

For Husqvarna Parts Call 606-678-9623 or 606-561-4983 REPAIR PARTS

TRACTOR - MODEL NO. LTH130 (954140005G), PRODUCT NO. 954 14 00-05
MOWER DECK



REPAIR PARTS

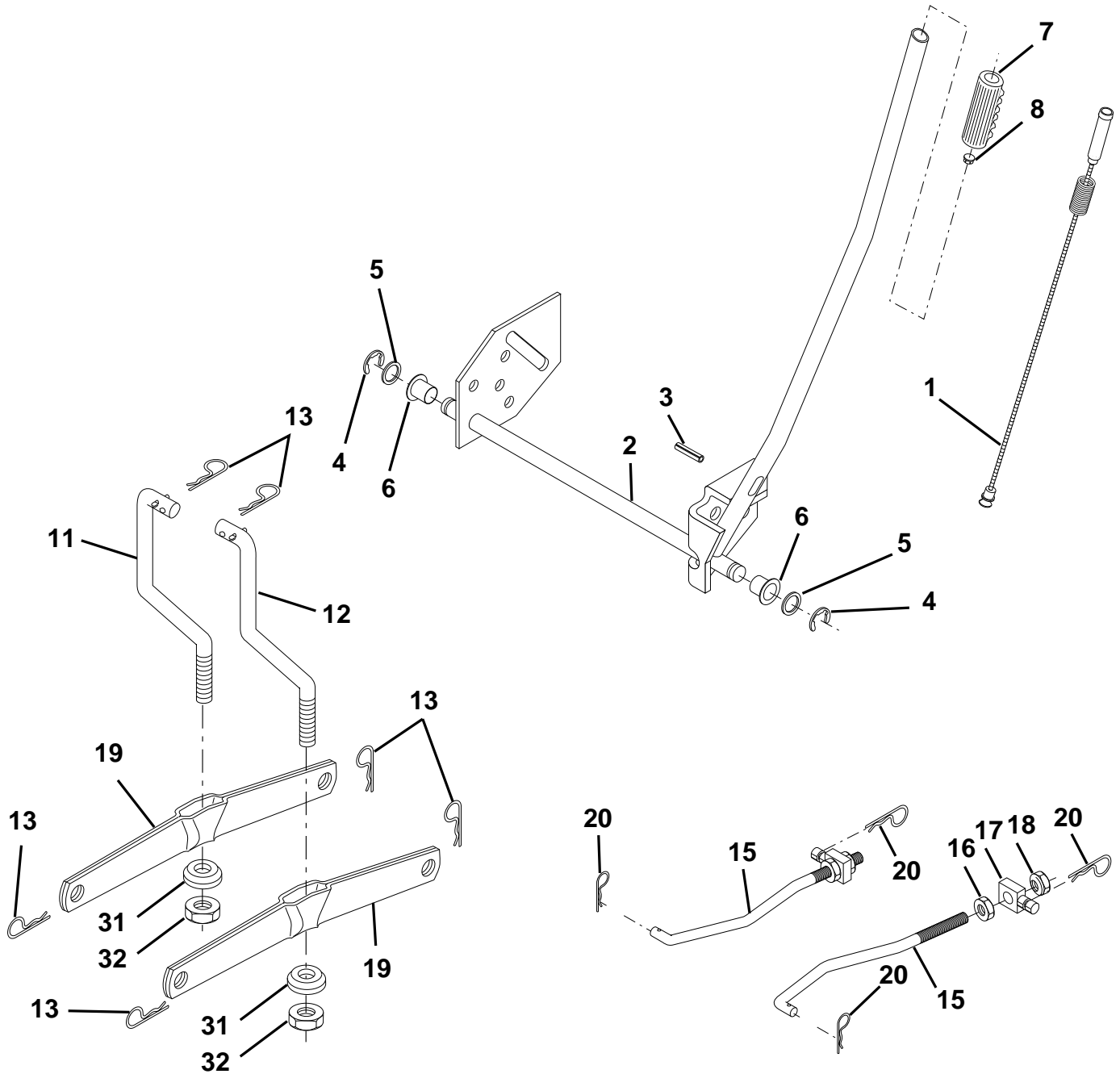
TRACTOR - MODEL NO. LTH130 (954140005G), PRODUCT NO. 954 14 00-05

MOWER DECK

KEY NO.	PART NO.	DESCRIPTION	KEY NO.	PART NO.	DESCRIPTION
1	532162809	Deck Weldment Mower 42" W/Adj	59	532141043	Guard, Belt
2	872140506	Bolt Rdhd Sqnk 5/16-18unc X3/4	61	532131950	Spring Ext. Elect
3	532138017	Bracket Asm Fr Sway Bar 38/42	68	532144200	V-Belt Mower
4	532138440	Bracket Asm Deck 42"sway Bar	83	532120958	Washer Sintered
5	532124670	Retainer Spring	84	532156084	Keeper 'Belt Idler
6	532130832	Arm Suspension Rear	85	872140620	Bolt Carriage 3/8-16 x 2-1/2 Gr.5
8	532850857	Bolt 3/8-24x1 25 Gr8 Patched	90	874760616	Bolt Fin Hex 3/8-16unc X 1
9	810030600	Washer Lock Hvy 3/8 Unplated	91	532132274	Bracket Asm Noseroller LH
10	532140296	Washer Hard Blade Mower Vented	92	873800600	Nut Lock Hex w/ins. 3/8-16 UNC
11	532134149	Blade Mower Mulching 42"	93	819171416	Washer 17/32 X 7/8 X 16 Ga
12	532129895	Bearing Ball #6204 (Mandrel)	94	532132264	Roller Nose 38 & 42
13	532137645	Shaft Asm W/lower Bearing	95	532132273	Bracket Asm Noseroller RH
14	532128774	Housing Mandrel Vented(machd)	101	532136420	Cover Mulching 42" Blk
15	532110485	Bearing Ball Mandrel	102	871161010	Screw
16	532140329	Stripper Round Mower	103	819061216	Washer #10
17	872110618	Bolt Rdhd Sqnk 3/8-16 X 2-1/4	104	810071000	Washer Lock #10
18	872140505	Bolt Carr 5/16-18 X 5/8	105	532160793	Latch Asm Bagger
19	532132827	Bolt Shoulder	106	532125004	Nut Weld .327/.304 #10-24
20	532159770	Baffle Vortex 42	116	532137644	Bolt Shld
21	873680500	Nut Crown Lock 5/16-18	117	532133957	Wheel Gauge blk.
22	532134753	Stiffener Bracket 42"deck	118	873930600	Nut Centerlock 3/8 - 16 UNC
23	532131267	Bracket Deflector Mower 42"	119	819121414	Washer 3/8 x 7/8 x 14 Ga.
24	532105304	Cap Sleeve 80x 112 Blk Mower	125	876020816	Cotter Pin
25	532123713	Spring Torsion Deflector 2 52	128	532153390	Washer Felt
26	532110452	Nut Push Phos & Oil	129	819131312	Washer 13/32 x 13/16 x 12 Ga.
27	532130968	Shield Deflector Mower 42" Blk	130	874780616	Bolt Fin Hex 3/8-16 UNC x 1 Gr. 5
28	819111016	Washer 11/32 X 5/8 X 16 Ga	131	872140608	Bolt Rdhd Sqnk 3/8-16 Unc x 1
29	532131491	Rod Hinge 42"6 75 Wlg	132	819132203	Washer 13/32 x 1-3/8 x 3 Ga
30	532157722	Screw Thdrol Washer Head	133	872110622	Bolt Rdhd 3/8-16 UNC x 2-3/4 Gr.5
31	532129963	Washer Spacer Mower Vented	134	532156941	Pin Head Rivet
32	532153535	Pulley Mandrel 42"	135	532159765	Bracket Asm Whl Ga Rear LH 42"
33	532137266	Nut 9/16top Lock Flng Cntr	136	532155648	Bar Pnt Adjusting Wheel Gauge
35	532133835	Fastner Christmas Tree	137	872110505	Bolt Carr 5/16-18 x 5/8 Short
36	532131494	Pulley Idler Flat 3 060	138	532159763	Bracket Asm Whl Ga. Rear RH 42"
37	819131316	Washer 13/32 X 13/16 X 16 Ga	139	532159767	Bracket Asm Whl Ga. Front RH 42"
38	532132823	Spacer Spring Stop Idler	140	532159768	Bracket Asm Whl Ga. Front RH 42"
40	873680600	Nut Lock 3/8-16 Unc	--	532162859	Deck Serv 42" Elec Vent (Standard Deck - Order Nose Roller, Gauge Wheel and Mulcher Plate components separately Key Nos. 90-95, 101-106 and 111-121)
44	532140088	Guard Mandrel LH Black			
46	532137729	Screw Thdrol 1/4-20x5/8			
54	532133943	Washer Hardened			
55	532140084	Arm Idler 42"mower LT/YT			
56	532122052	Spacer Retainer Pm Mower	--	532130794	Mandrel Assembly (Includes Key Numbers 8-10, 12-15, 31 and 33)

For Husqvarna Parts Call 606-678-9623 or 606-561-4983 REPAIR PARTS

TRACTOR - MODEL NO. LTH130 (954140005G), PRODUCT NO. 954 14 00-05
MOWER LIFT



For Husqvarna Parts Call 606-678-9623 or 606-561-4983

REPAIR PARTS

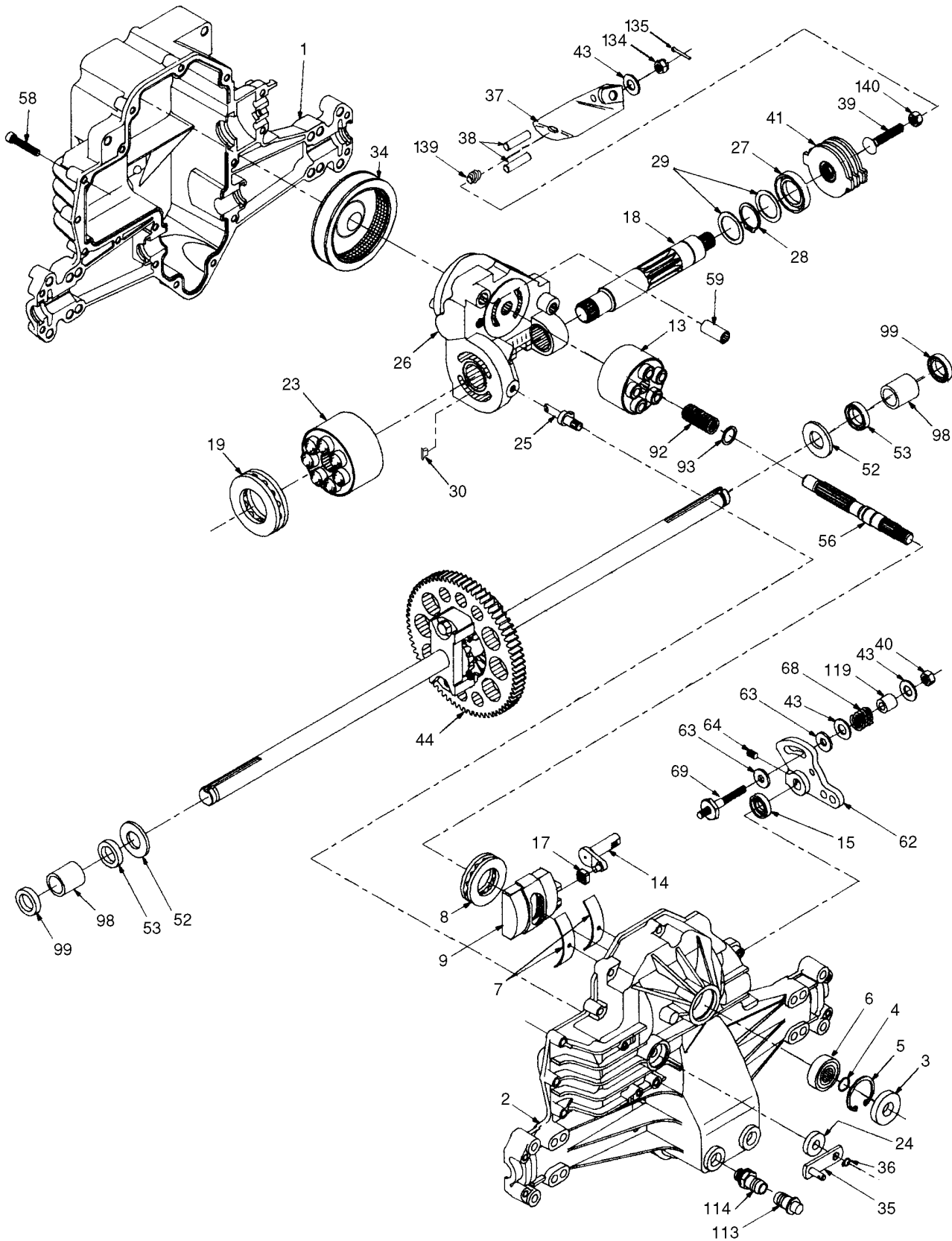
TRACTOR - MODEL NO. LTH130 (954140005G), PRODUCT NO. 954 14 00-05
MOWER LIFT

KEY NO.	PART NO.	DESCRIPTION
1	532159460	Wire Asm Inner W/plunger
2	532159471	Shaft Asm Lift
3	532105767	Pin Groove
4	812000002	E Ring #5133-62
5	819211621	Washer PLTD 21/32 X 1 X 21ga
6	532120183	Bearing Nylon Blk 629 Id
7	532109413	Grip Handle Bicycle
8	532124526	Button Plunger Black
11	532139865	Link Lift LH
12	532139866	Link Lift RH
13	532124670	Retainer Spring
15	532127218	Link Front
16	873350800	Nut Jam Hex 1/2-13 Unc
17	532130171	Trunnion Blk Zinc
18	873680800	Nut Crownlock 1/2-13 Unc
19	532139868	Arm Suspension Rear
20	532163552	Spring, Retainer
31	532140302	Bearing Pvt. Lift Spherical
32	873540600	Nut Crownlock 3/8-24

NOTE: All component dimensions given in U.S. inches
1 inch = 25.4 mm

For Husqvarna Parts Call 606-678-9623 or 606-561-4983 REPAIR PARTS

TRACTOR - MODEL NO. LTH130 (954140005G), PRODUCT NO. 954 14 00-05
HYDRO GEAR TRANSAXLE - MODEL NUMBER 310-0500



For Husqvarna Parts Call 606-678-9623 or 606-561-4983

REPAIR PARTS

TRACTOR - MODEL NO. LTH130 (954140005G), PRODUCT NO. 954 14 00-05
HYDRO GEAR TRANSAXLE - MODEL NUMBER 310-0500

KEY PART NO. NO.	DESCRIPTION	KEY PART NO. NO.	DESCRIPTION
1 142986	Housing, Lower	40 150778	Locknut, Hex 5/16-24 UNJC
2 142987	Assembly, Upper Housing	41 142958	Brake Rotor/Stator Kit
3 142932	Seal, Lip	43 142884	Washer 7/16 x 7/8 x .060
4 142928	Ring, Wire Retaining	44 142990	Differential Assembly
5 142933	Ring, Retaining	52 142991	Washer 3/4 x 1.5 x .13
6 142934	Bearing, Shaft Ball	53 142961	Seal .75 x 1.25 x .250
7 142935	Bearing, Cradle	56 142963	Shaft, Input
8 150771	Bearing, Thrust 30 x 52 x 13	58 142964	Bolt 1/4-20 x 1.38
9 142937	Swashplate, Variable	59 142965	Pin .5 OD x .43 ID x .750
13 142938	Block, Cylinder Assembly	62 142966	Arm, Control
14 142939	Arm, Trunnion	63 142967	Puck, Dampener
15 142940	Seal, Lip	64 142920	Set Screw
17 142941	Guide, Slot	68 142969	Spring
18 150772	Shaft, Motor	69 144610	Stud 5/16-24
19 150773	Bearing, Thrust 42 x 68 x 16	92 142977	Spring, Block
23 142944	Block, Cylinder Assembly	93 142978	Washer, Block Thrust
24 142945	Seal, Lip 10 x 25 x 7	98 142993	Sleeve Bearing
25 142946	Actuator, Bypass	99 142976	Seal, Wiper
26 150774	Center Section Assembly Kit	113 142917	Cap, Vent Assembly
27 142948	Seal, Lip 26 x 42 x 8	114 142918	Fitting, O-Ring Assembly
28 142949	Ring, Retaining	119 142980	Spacer
29 142950	Washer 26 x 35 x 1	134 144607	Nut, Castle 5/16-24
30 150787	Nut, Jam	135 144608	Pin, Cotter
34 142951	Oil Filter Element	139 150775	Spring, Compression
35 142952	Arm, Bypass	140 150776	Nut, Hex 5/16-24
36 142953	Ring, Retaining		
37 142954	Arm, Actuating		
38 142955	Pin, Actuating		
39 150777	Bolt 5/16-24 x 1-3/4		

NOTE: All component dimensions given in U.S. inches
1 inch = 25.4 mm