

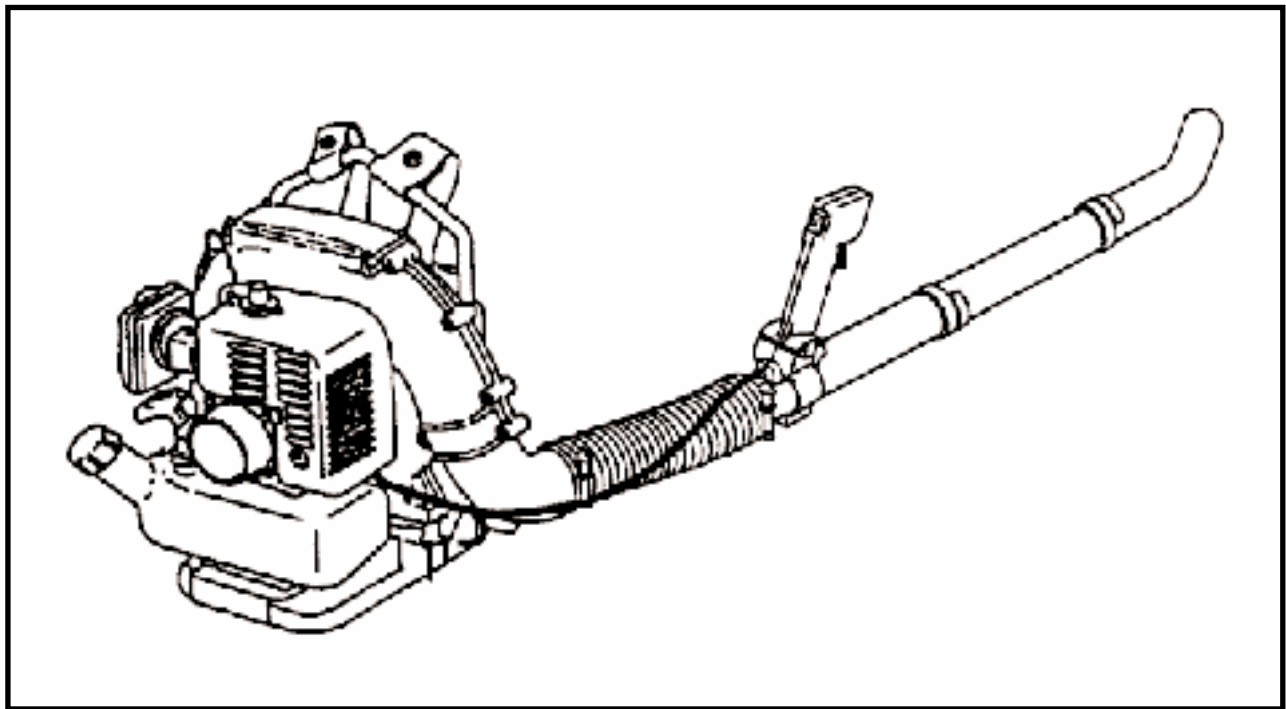
For Husqvarna Parts Call 606-678-9623 or 606-561-4983

 **Husqvarna**

Illustrated Parts
List

1997-05
19707002

145 BT

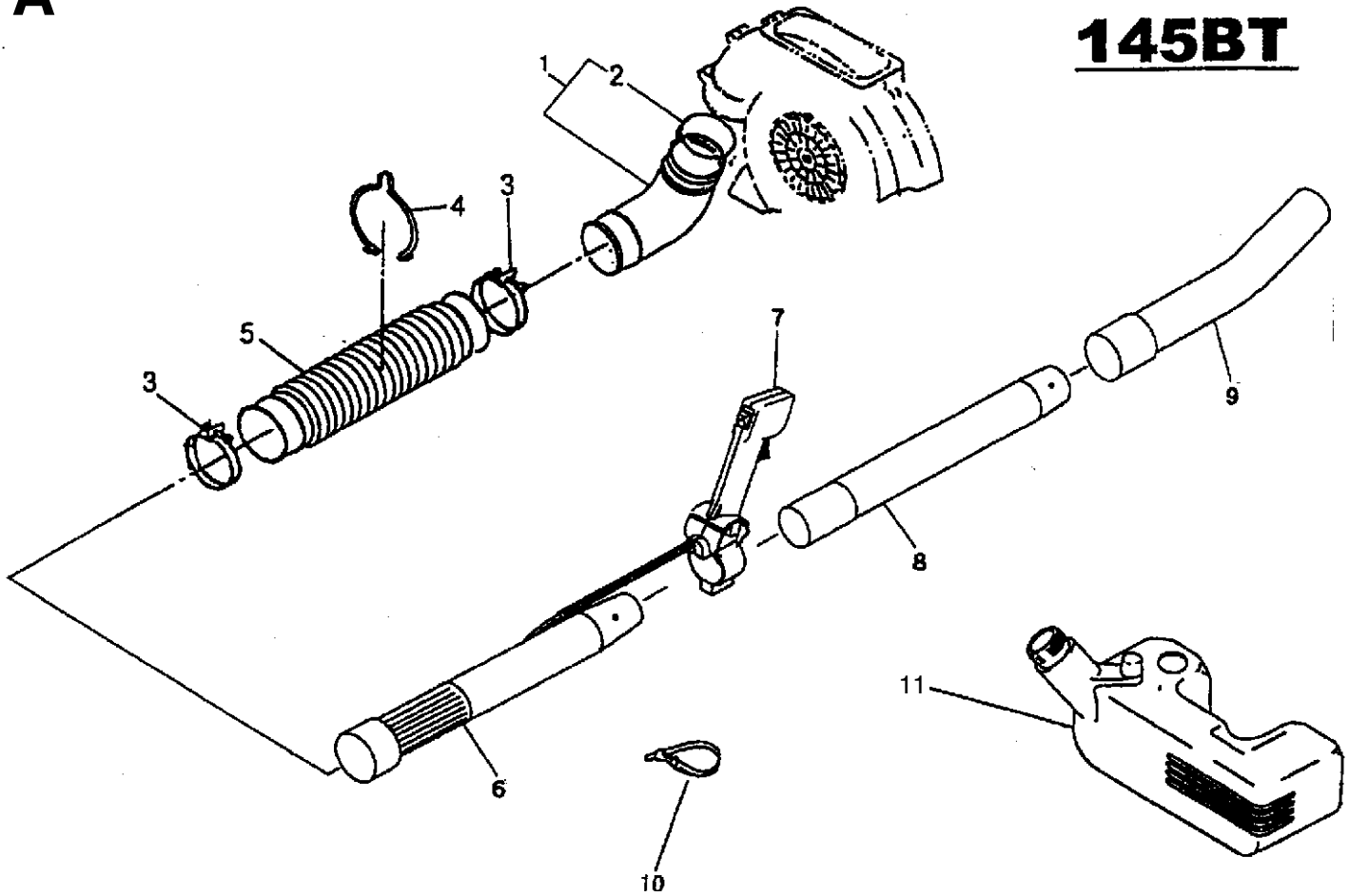


Repair Parts Manual

Backpack Blower

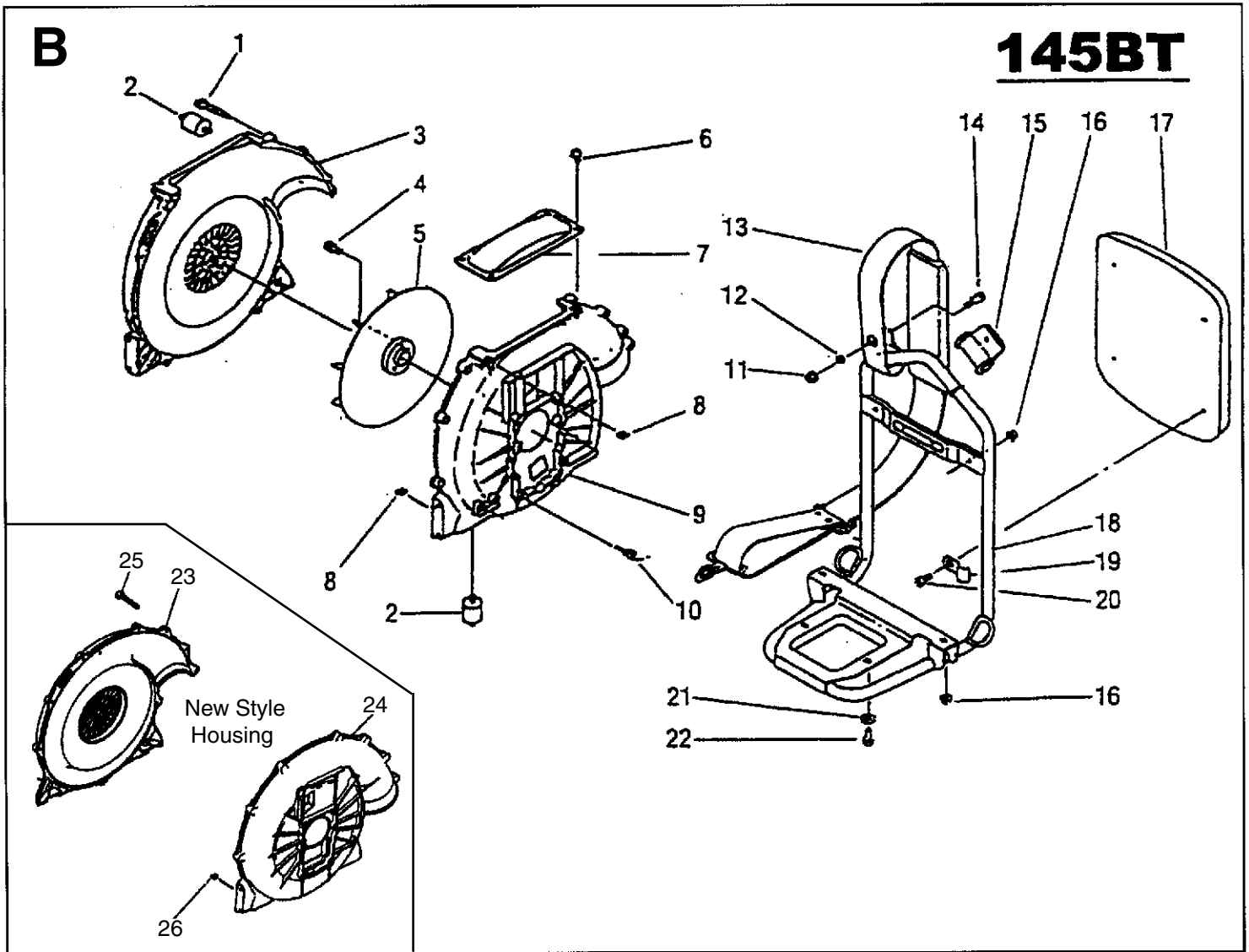
A

145BT



Ref. #	Part #	Description
1	695 00 04-02	Elbow Pipe Compl.
2	695 00 00-05	O-Ring
3	695 00 05-27	Clamp
4	695 00 04-21	Wire Clamp
5	695 00 00-16	Flexible Pipe
6	695 00 00-19	Base Pipe

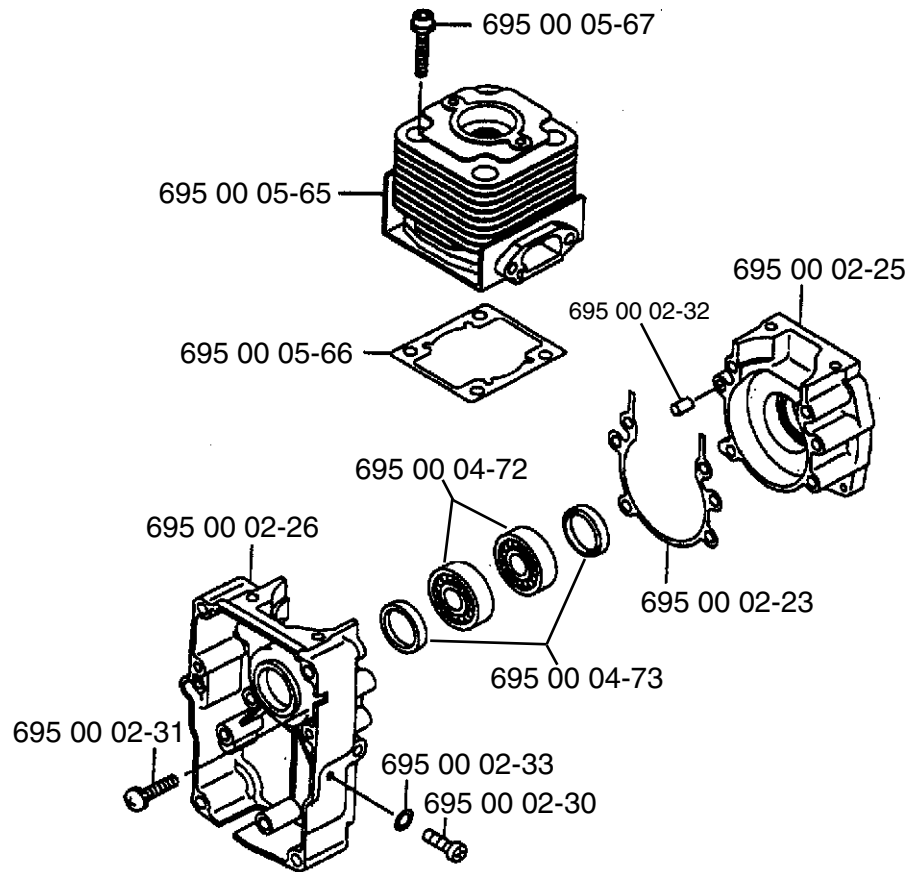
Ref. #	Part #	Description
7	695 00 06-32	Throttle Assy. Compl.
8	695 00 00-20	Middle Pipe
9	695 00 00-21	Bend Pipe
10	695 00 01-10	Wire Band
11	695 00 05-72	Fuel Tank



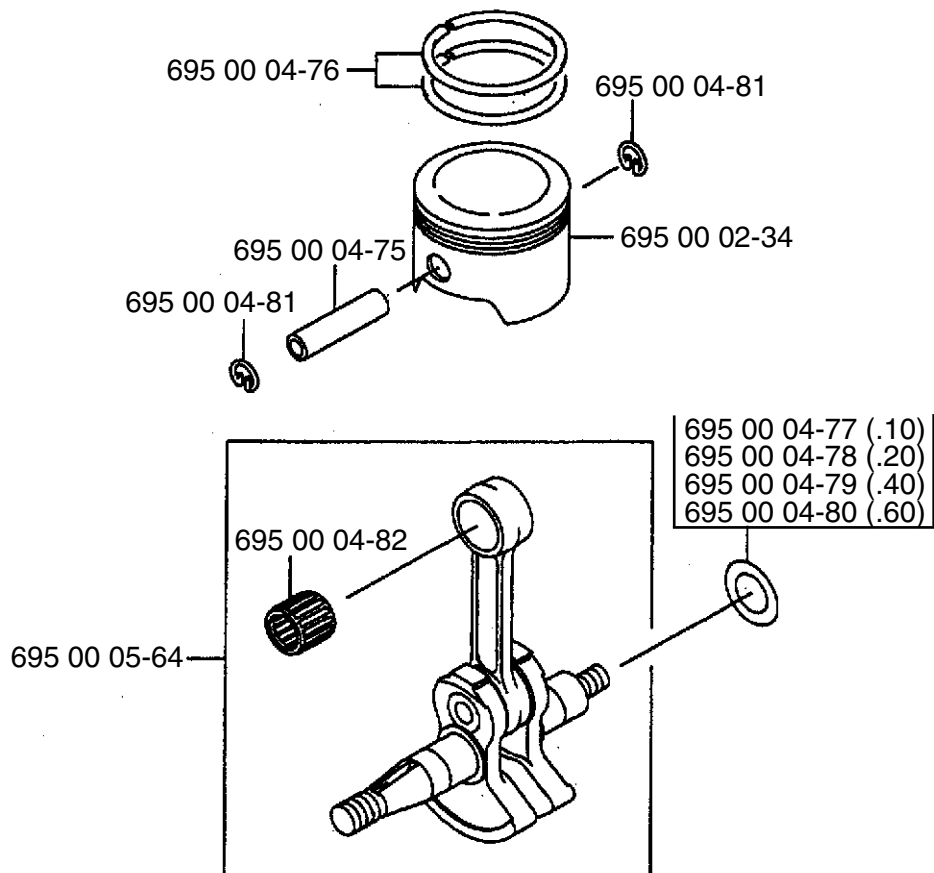
Ref. #	Part #	Description
1	695 00 02-05	Tapping Screw (M5x30)
2	695 00 01-88	Rubber AV Mount
3	695 00 04-13	Fan Housing (Old Style)
4	695 00 06-37	Pre-Coat Lock Bolt
5	695 00 00-36	Fan
6	695 00 02-04	Screw (M6x20)
7	695 00 00-14	Cover
8	695 00 00-06	Hex Nut
9	695 00 00-35	Fan Housing (Old Style)
10	695 00 06-40	Pre-Coat Lock Bolt
11	695 00 00-38	Flange Nylon Nut (M6)
12	695 00 00-45	Washer
13	695 00 05-30	Shoulder Strap

Ref. #	Part #	Description
14	695 00 00-25	Truss Screw (M6x20)
15	695 00 00-17	Strap Support
16	695 00 00-39	Flange Nut (M6)
17	695 00 00-48	Backpack Pad
18	695 00 04-20	Backpack Frame
19	695 00 00-03	Clamp
20	695 00 00-10	Hex Bolt (M5x12)
21	501 94 13-01	Plain Washer (M6)
22	695 00 02-00	Screw (M6x10)
23	695 00 06-52	Fan Housing (New Style)
24	695 00 06-53	Fan Housing (New Style)
25	695 00 02-05	Tapping Screw
26	695 00 00-06	Hex Nut

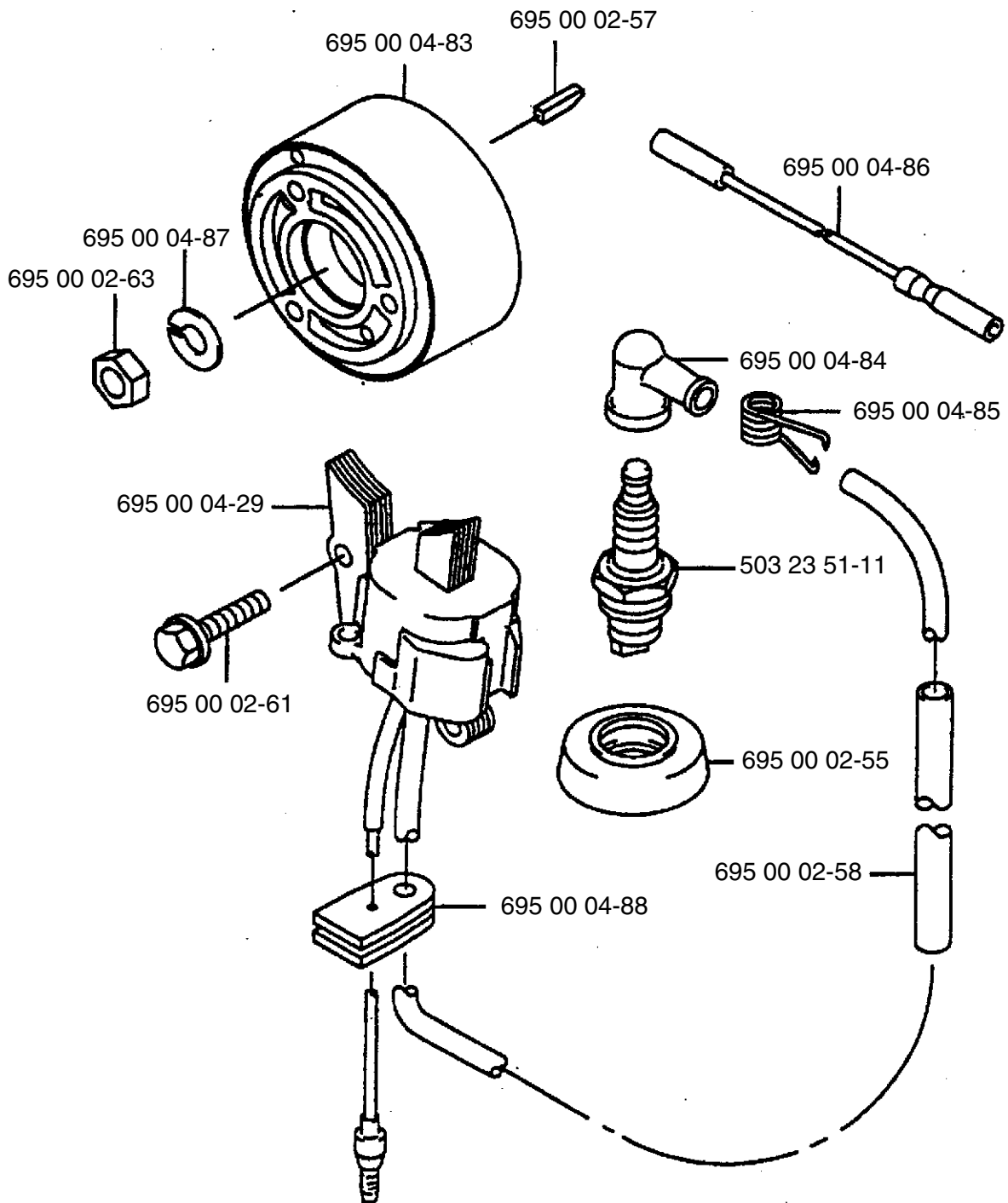
C



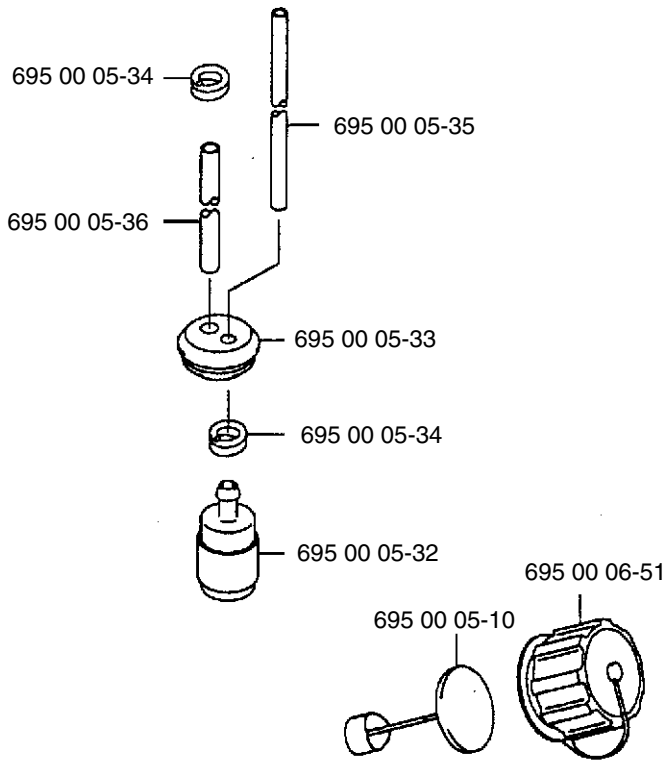
D



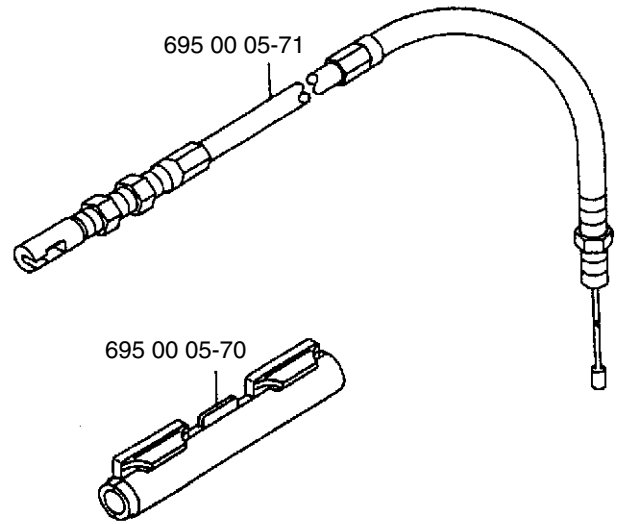
E



F

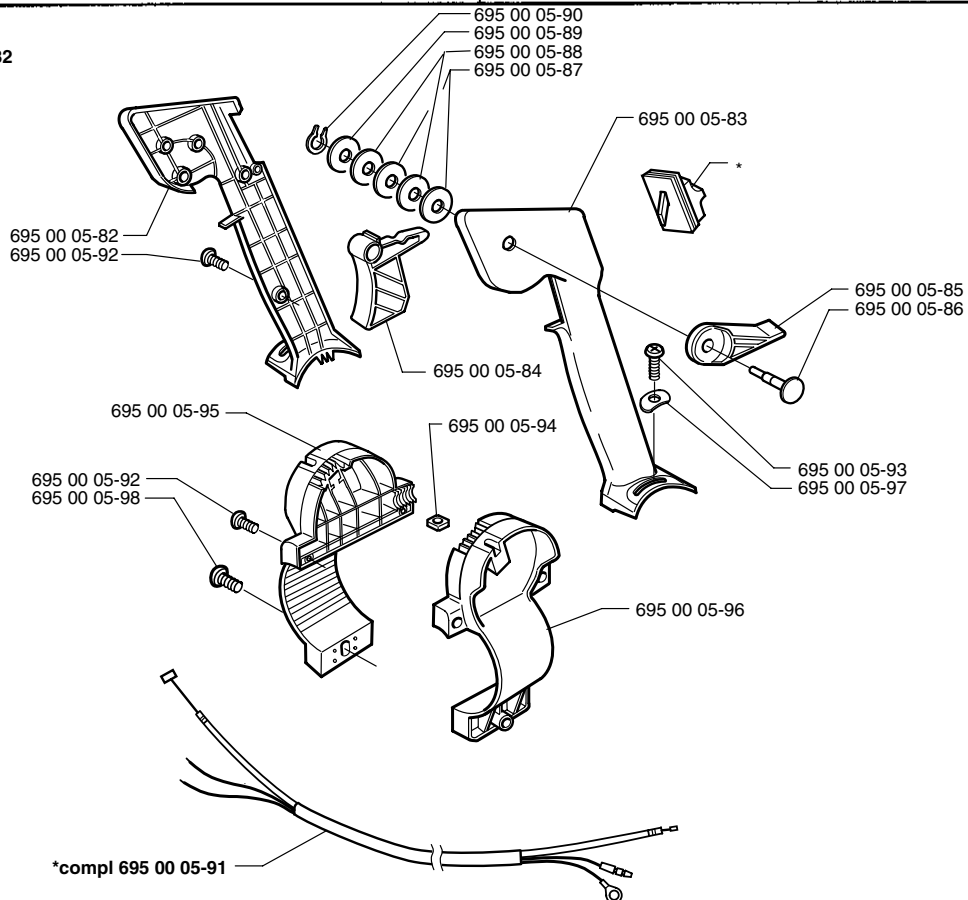


G

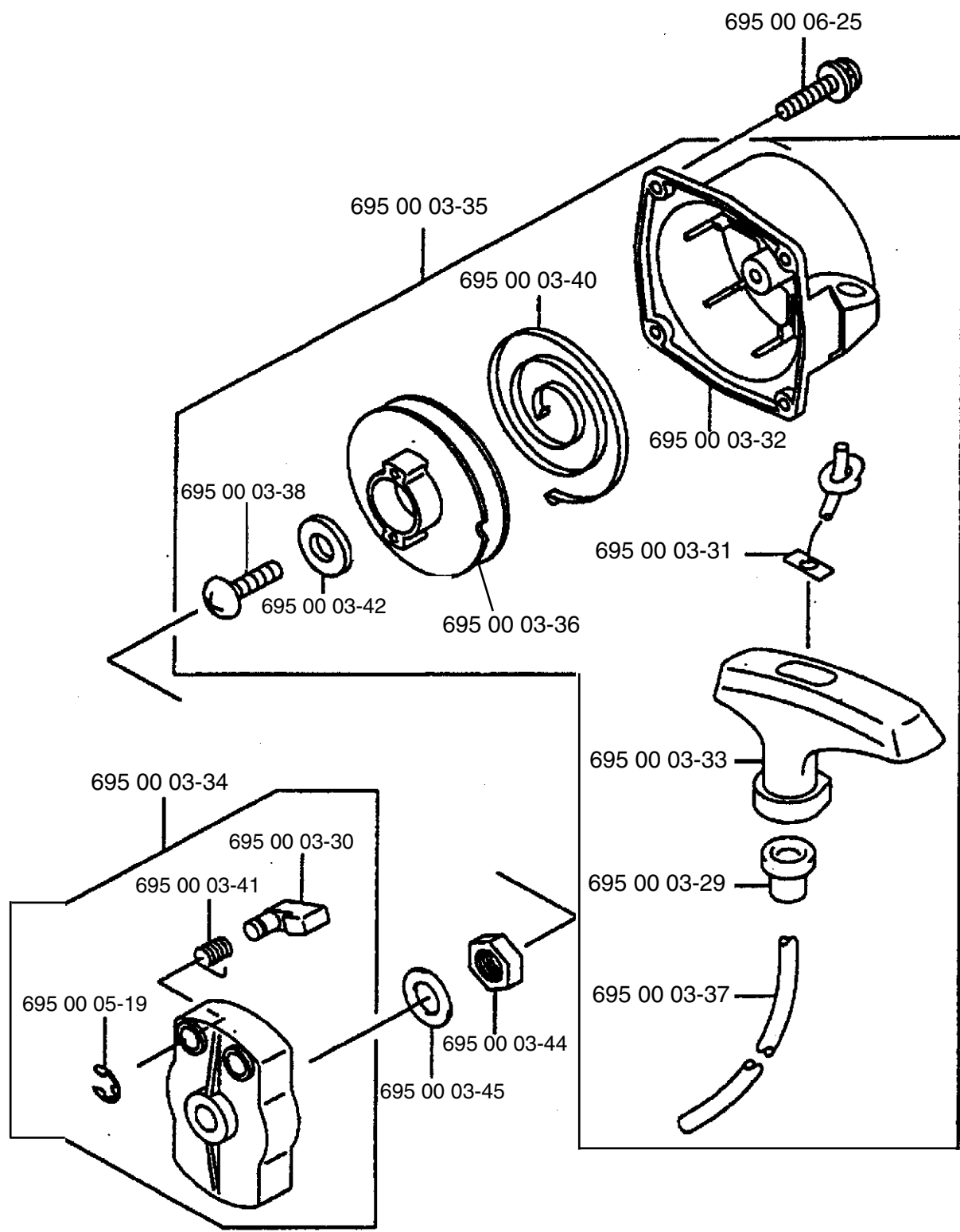


M

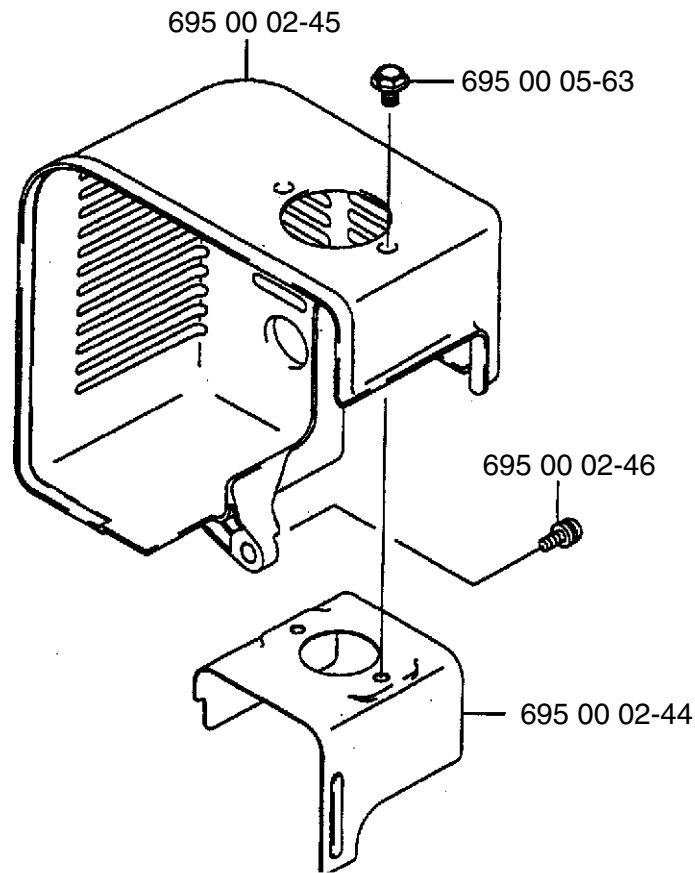
compl 695 00 06-32



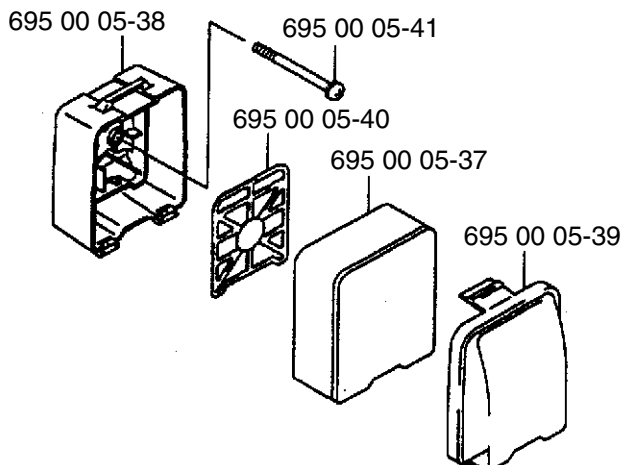
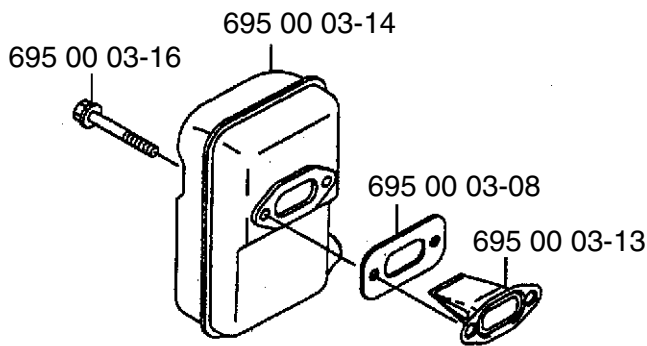
H



J



K



695 00 06-30

EXPLANATION	
GEAR MIXTURE RATIO	50:1
LATCH PARTS	
ORANGE OF CHAINDRIVE	

L

