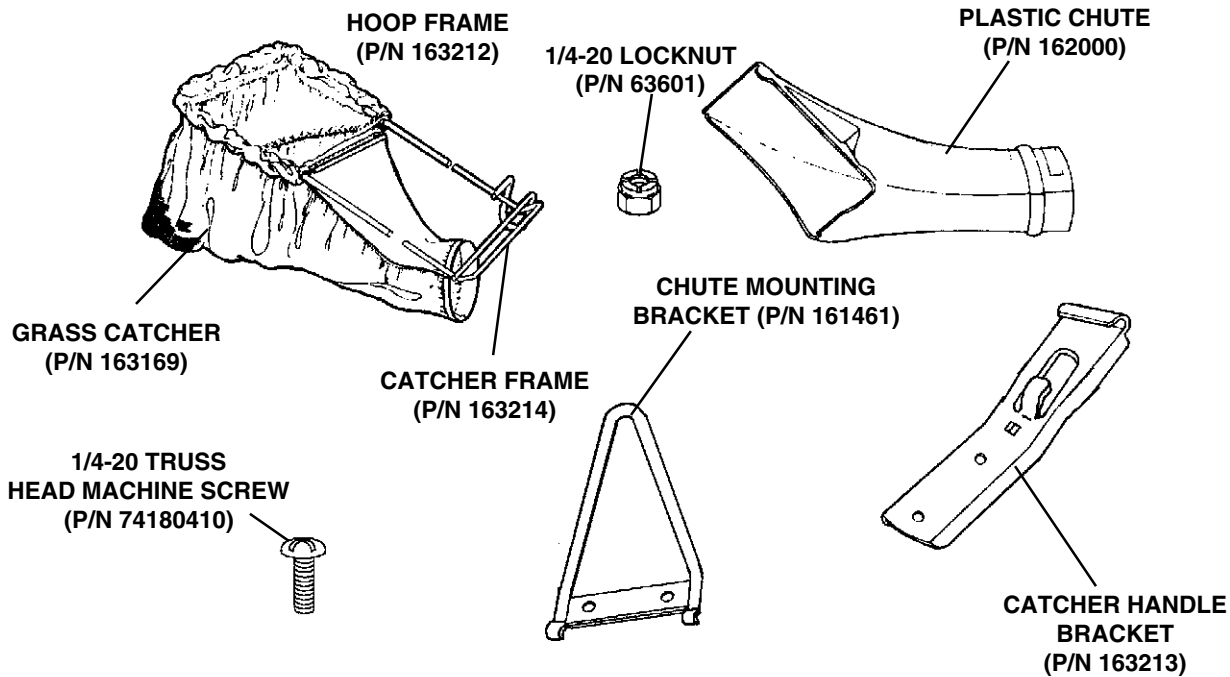


GCK3300A

- ***ASSEMBLY INSTRUCTIONS***
- ***INSTRUCCIONES PARA EL MONTAJE***
- ***INSTRUTIONS POUR LE MONTAJE***

GRASS CATCHER ASSEMBLY



CAUTION: Do not operate your lawn mower without mulcher door in closed position, discharge deflector in place, or approved grass catcher in place.

TO ASSEMBLE GRASS CATCHER

- Attach catcher handle bracket to lawn mower handle using handle knob provided on lawn mower handle (See Fig. 1).
- Attach chute mounting bracket to plastic chute using (2) two 1/4-20 truss head machine screws and (2) two 1/4-20 locknuts and tighten securely. (See Fig. 2)
- Insert the short leg of the hoop frame into the seam sewn in the grass catcher as shown in Fig. 3.
- Continue pushing the grass catcher onto the hoop frame until the grass catcher is completely on the short leg of the hoop frame. Spread grass catcher evenly around the hoop frame as shown in Fig. 4.
- Insert the ends of the hoop frame through the button-holes that are located under the flip lid, as far as possible.
- Attach the grass catcher frame to the hoop frame as shown in Fig. 4.
- Place the plastic extrusion, located on the grass catcher, to the first horizontal bar of the grass catcher frame (See Fig. 5).
- Attach grass catcher to the plastic chute by squeezing the clamp ring located at the end of the grass catcher (See Fig. 5).
- Slide the grass catcher onto the plastic chute making sure catcher fits over the ridge on the plastic chute (See Fig. 5).
- Release clamp ring and grass catcher will fit securely.

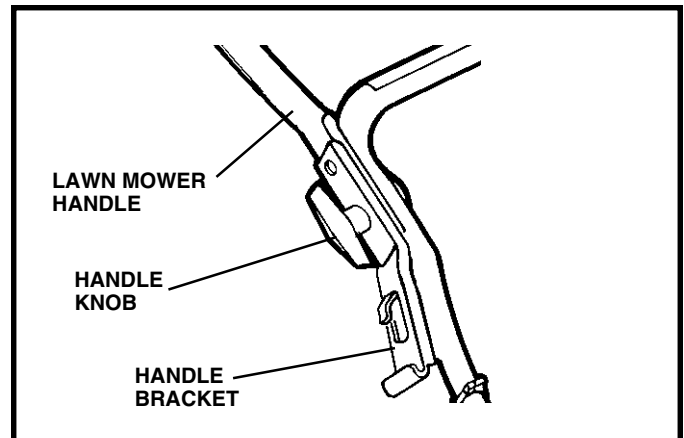


FIG. 1

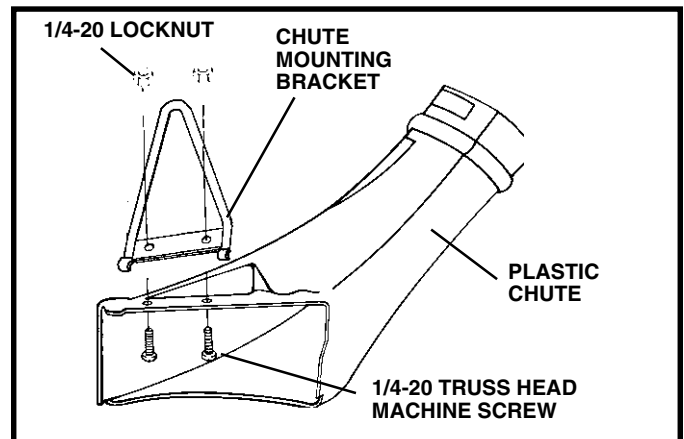


FIG. 2

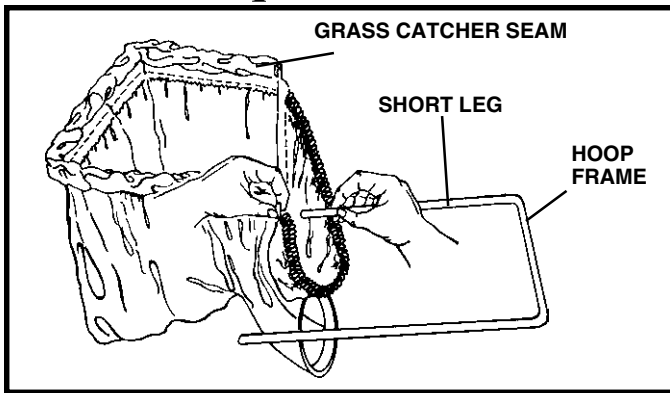


FIG. 3

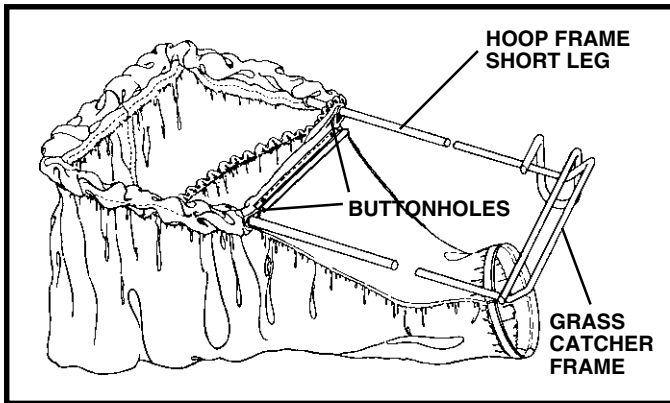


FIG. 4

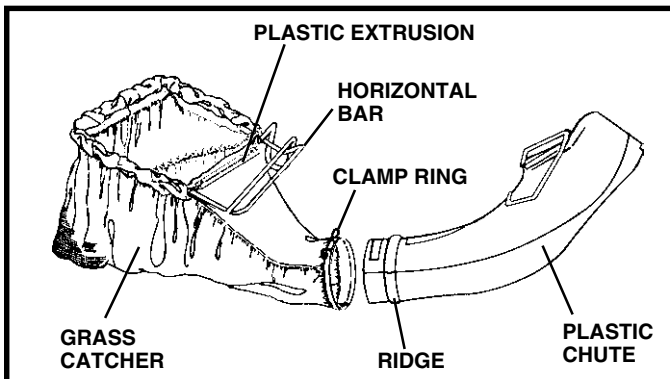


FIG. 5

TO INSTALL GRASS CATCHER (See Figs. 6 & 7)

- Hook the chute mounting bracket over the housing bracket on lawn mower.
- When the mounting bracket is in place, the wire provided on the mounting bracket will hold the discharge guard up.
- Attach the grass catcher to the upper handle by sliding the grass catcher frame into the catcher handle bracket on the lawn mower handle. Close flip lid.

NOTE: Flip lid must be closed while operating lawn mower.

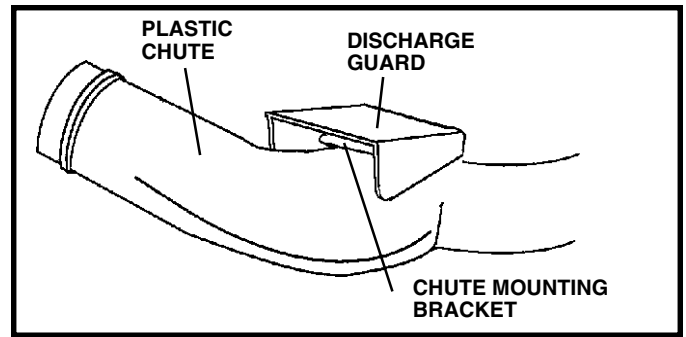


FIG. 6

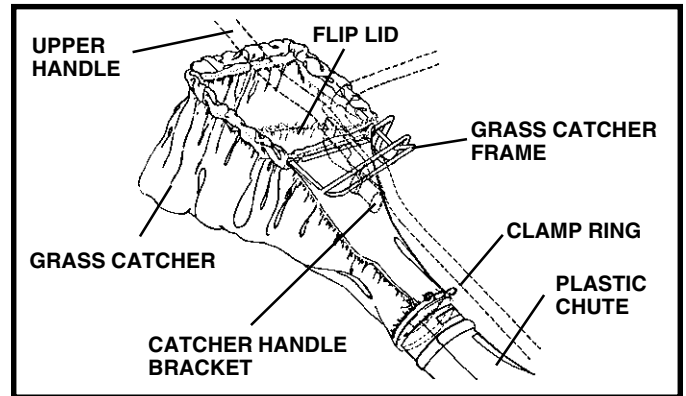


FIG. 7

TO EMPTY GRASS CATCHER (See Figs. 7 & 8)

- Open flip lid. Squeeze clamp ring and remove grass catcher from plastic chute.
- Hold the mouth of the grass catcher closed. Using the same hand, grasp the catcher frame handle as shown.
- With the other hand, grasp the top of the grass catcher and lift off the catcher handle bracket.
- Empty grass catcher through the flip lid using the catcher handle provided on the bottom of catcher.

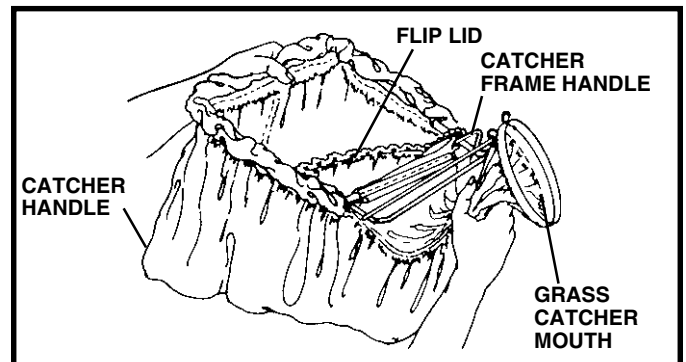


FIG. 8

- The grass catcher may be hosed with water, but must be dry when used.
- Check your grass catcher often for damage or deterioration. Through normal use it will wear. If catcher needs replacing, replace only with a manufacturer approved replacement catcher.

For Husqvarna Parts Call 606-678-9623 or 606-561-4983

GCK3300A

www.mymowerparts.com