

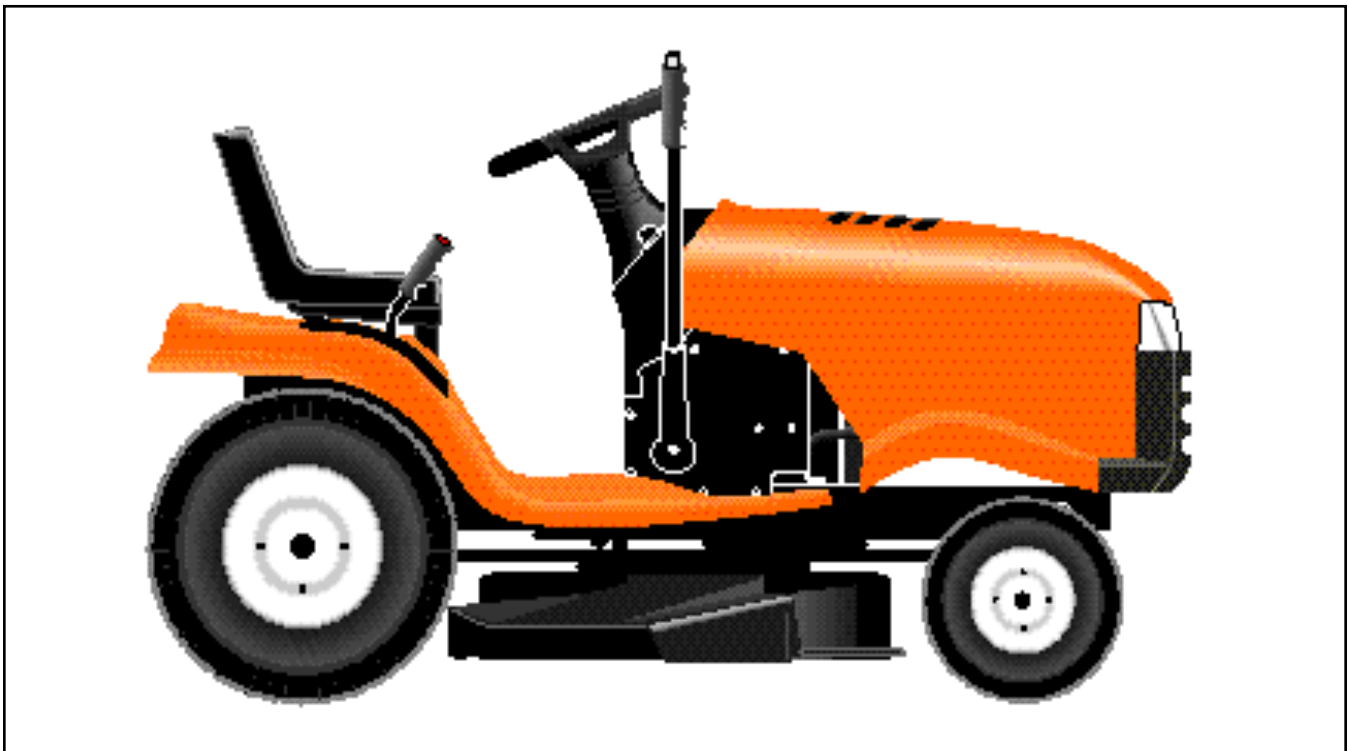
For Husqvarna Parts Call 606-678-9623 or 606-561-4983



Illustrated Parts
List

1997-11
19701055

YTH 180



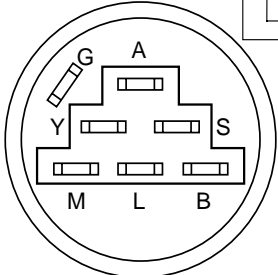
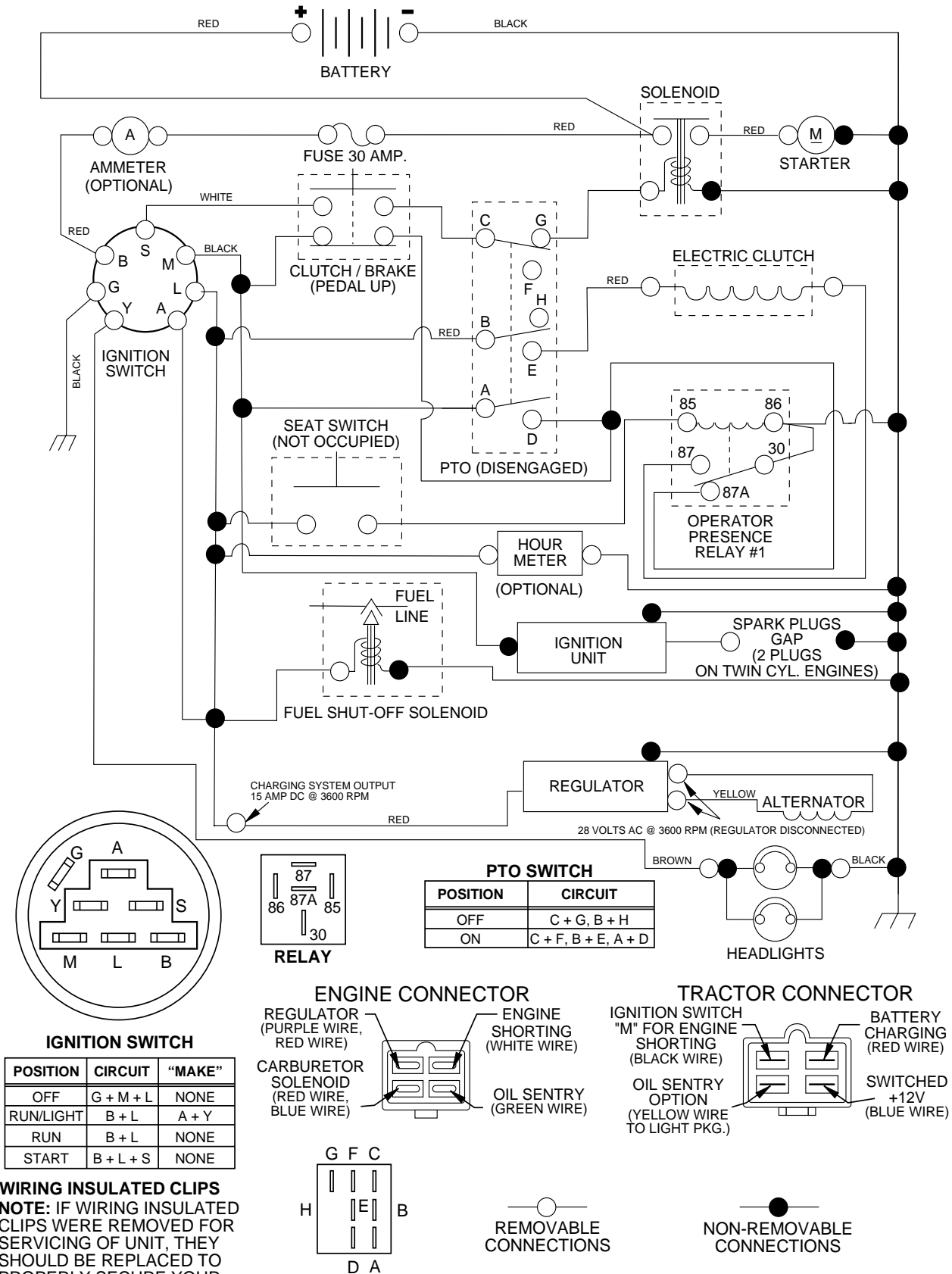
Ride Mower

HCYTH180E

For Husqvarna Parts Call 606-678-9623 or 606-561-4983 REPAIR PARTS

TRACTOR - MODEL NO. YTH180 (HCYTH180E), PRODUCT NO. 954 14 00-10

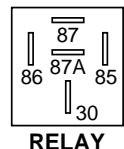
SCHEMATIC



IGNITION SWITCH

POSITION	CIRCUIT	"MAKE"
OFF	G + M + L	NONE
RUN/LIGHT	B + L	A + Y
RUN	B + L	NONE
START	B + L + S	NONE

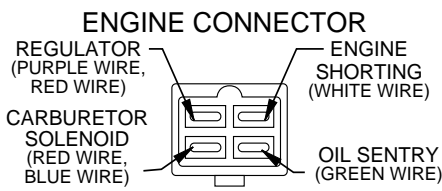
WIRING INSULATED CLIPS
NOTE: IF WIRING INSULATED CLIPS WERE REMOVED FOR SERVICING OF UNIT, THEY SHOULD BE REPLACED TO PROPERLY SECURE YOUR WIRING.



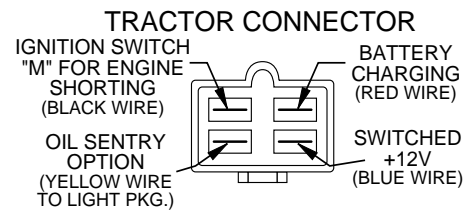
RELAY

PTO SWITCH

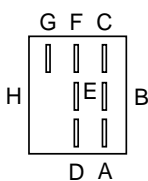
POSITION	CIRCUIT
OFF	C + G, B + H
ON	C + F, B + E, A + D



ENGINE CONNECTOR

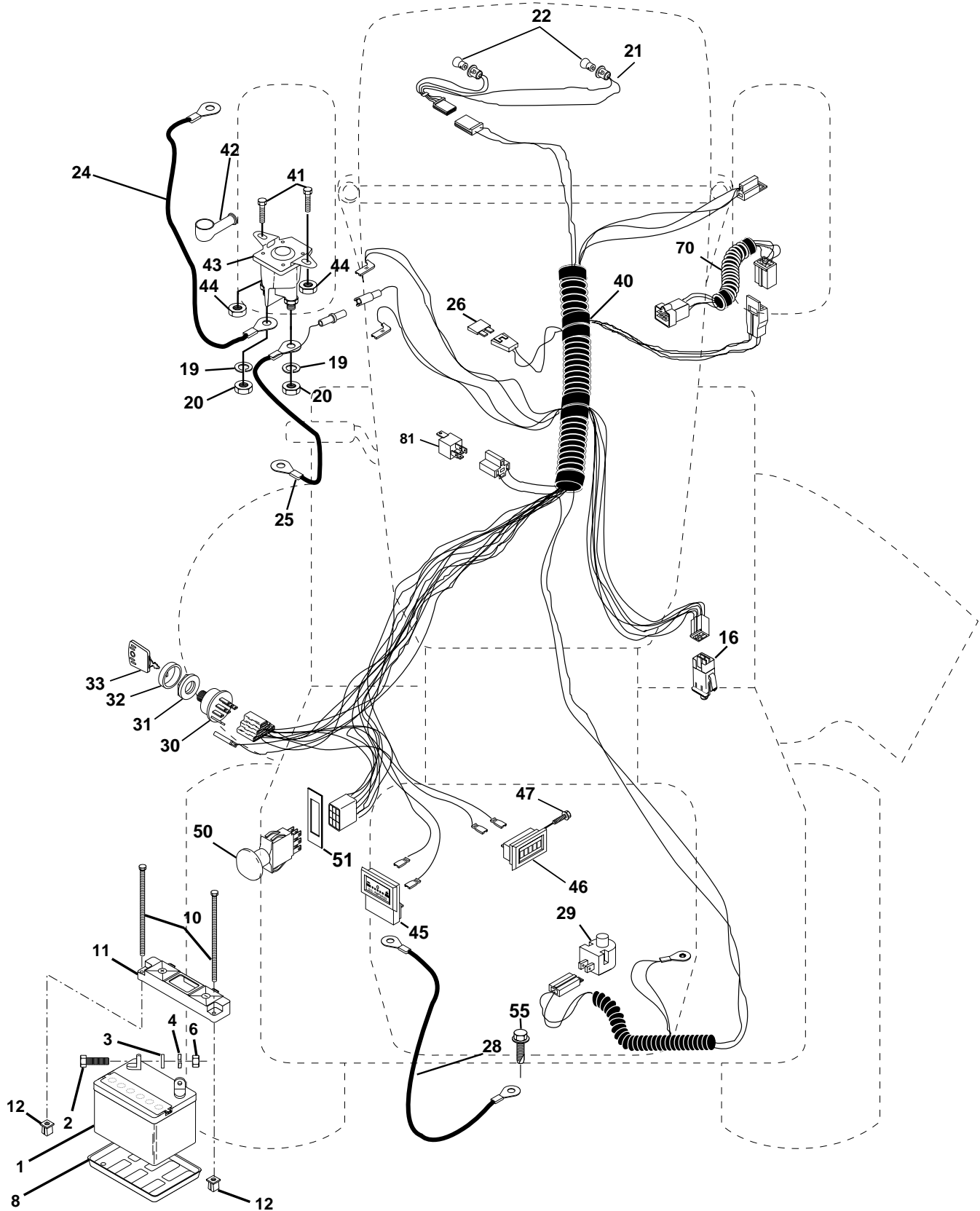


TRACTOR CONNECTOR



For Husqvarna Parts Call 606-678-9623 or 606-561-4983 REPAIR PARTS

TRACTOR - MODEL NO. YTH180 (HCYTH180E), PRODUCT NO. 954 14 00-10
ELECTRICAL



For Husqvarna Parts Call 606-678-9623 or 606-561-4983

REPAIR PARTS

TRACTOR - MODEL NO. YTH180 (HCYTH180E), PRODUCT NO. 954 14 00-10
ELECTRICAL

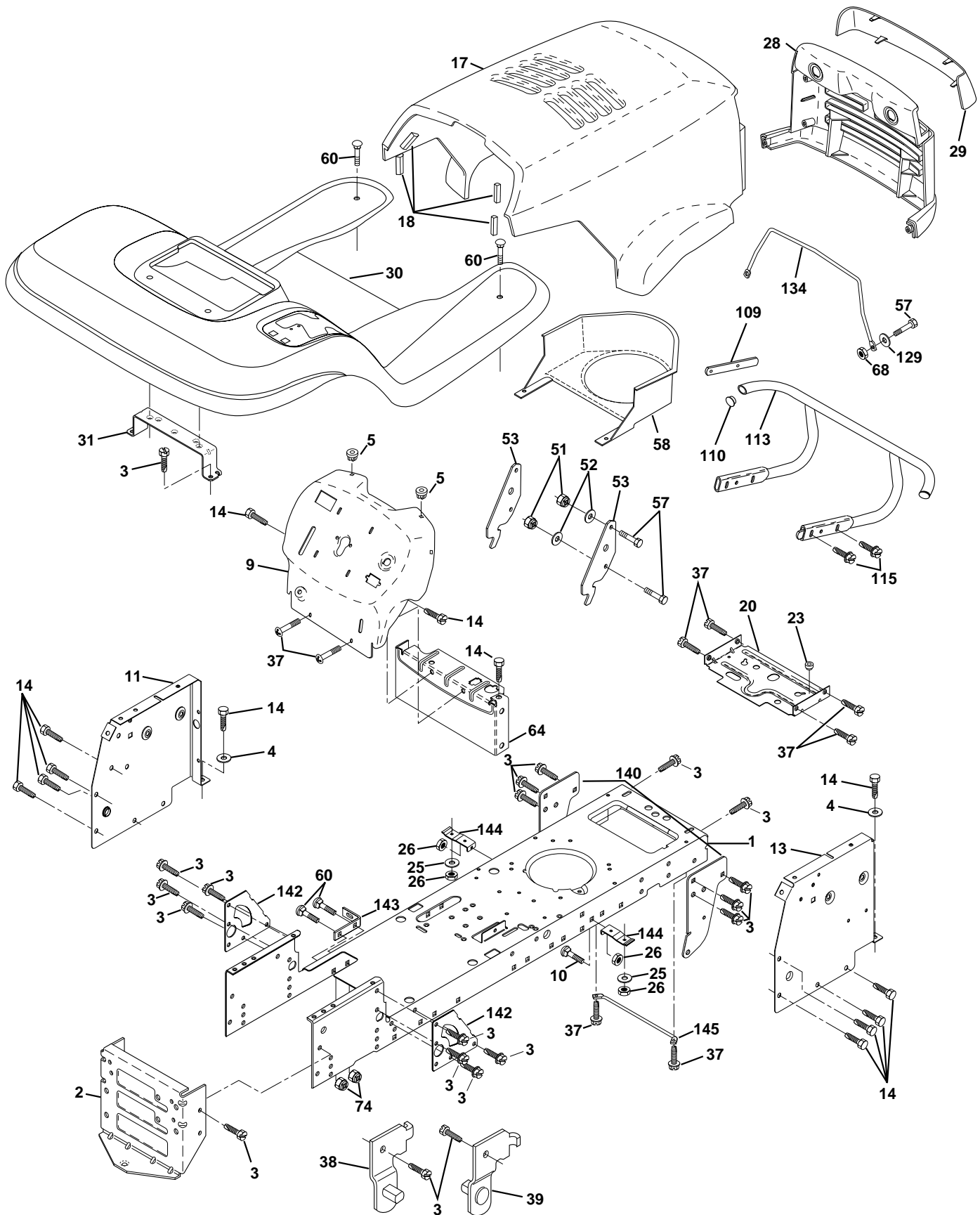
KEY NO.	PART NO.	DESCRIPTION
1	532144927	Battery 12 Volt 35 AMP
2	874760412	Bolt Hex Hd 1/4-20unc X 3/4
3	819091016	Washer 9/32 X 5/8 X 16 Ga.
4	810040400	Washer Lock Hvy Helical 1/4
6	873220400	Nut Fin Hex 1/4-20 Unc
8	532124886	Tray Battery
10	532145211	Bolt Brt Frt 1/4-20 x 75 Ainc
11	532150109	Holddown Battery Front Mount
12	532145769	Nut Push Nylon 1/4" Battery Frt
16	532153664	Switch Interlock Push-In
19	810090400	Washer Lock 1/4
20	873350400	Nut Jam Hex 1/4-20 Unc
21	532136850	Harness Asm Light W/4152j
22	532004152	Bulb Light #1156
24	532124780	Cable Battery 6 Ga 11" red
25	532146148	Cable Battery 6 Ga 22" red w/16 wire
26	532108824	Fuse 30 AMP Auto Green
28	532145491	Cable Ground 6 Ga 21" black
29	532160784	Switch Plunger Normal Op Olive
30	532140301	Switch Ign 4 pos w/lights
31	532124211	Nut Ignition
32	532141226	Cover Sw Ignition
33	532122147	Key Ign Modelled Generic
40	532160719	Harness Ign.
41	871110408	Bolt Blk Fin Hex 1/4 - 20 x 1/2
42	532131563	Cover Terminal Red
43	532145673	Solenoid
44	873640400	Nut Keps Hex 1/4-20 Unc
45	532122822	Ammeter Rectangular 15 Amp
46	532110940	Meter Hour
47	817011008	Screw 10-24 x 1/2 Black
50	532154959	Switch PTO 3 PDT Black Delta 96
51	532140405	Ring Retainer PTO
55	817490508	Screw Thdrol 5/16-18 x 1-1/2 Tyt
70	532157540	Harness, Eng.
81	532109748	Relay Asm

NOTE: All component dimensions given in U.S. inches.
1 inch = 25.4 mm.

For Husqvarna Parts Call 606-678-9623 or 606-561-4983 REPAIR PARTS

TRACTOR - MODEL NO. YTH180 (HCYTH180E), PRODUCT NO. 954 14 00-10

CHASSIS AND ENCLOSURES



For Husqvarna Parts Call 606-678-9623 or 606-561-4983

REPAIR PARTS

TRACTOR - MODEL NO. YTH180 (HCYTH180E), PRODUCT NO. 954 14 00-10

CHASSIS AND ENCLOSURES

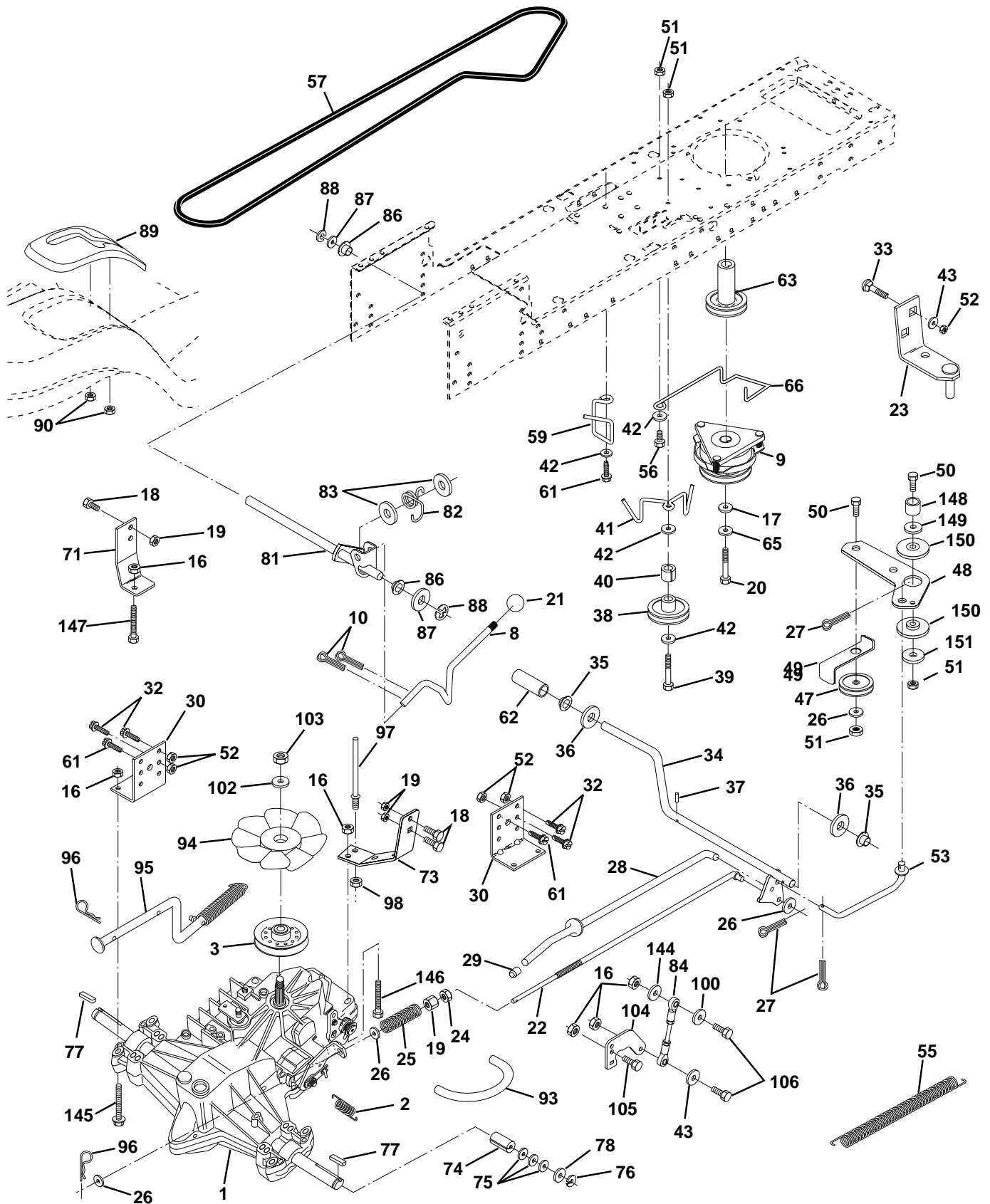
KEY NO.	PART NO.	DESCRIPTION
1	532160392	Chassis Weldment
2	532140356	Drawbar, Stretch
3	817490612	Screw Thdrol 3/8-16x3/4 Ty-tt
4	819131216	Washer 13/32 x 3/4 x 16 Ga.
5	532155272	Bumper Hood/Dash
9	532156490	Dash Silkscr
10	872140608	Bolt Carriage 3/8-16 x 1
11	532155927	Panel Dash Lh
13	532153913	Panel Dash Rh
14	817490608	Screw Thdrol 3/8-16x1/2 Ty-tt
17	532156051	Hood LT/PL Husqvarna
18	532126938	Bumper Hood
20	532156437	Plate Mtg Battery Fuel Tank Fr
23	532124028	Bushing
25	819131312	Washer 13/32 X 13/16 X 12 Ga
26	873800600	Nut Lock Hex W/Ins 3/8-16 Unc
28	532149776	Grille LT/PL Husqvarna
29	532149777	Lens LT/PL Husqvarna
30	532156489	Fender Footrest STLT Pnt
31	532139976	Bracket Support Fender
37	817490508	Screw Thdrol 6/16-18 x 1/2 TYT
38	532139886	Bracket, Asm. Pivot, L.H., Mower Rear
39	532139887	Bracket, Asm. Pivot, R.H., Mower Rear
51	873800400	Nut Lock Hex W/Ins 1/4-20
52	819091416	Washer 9/32 x 7/8 x 16 Ga.
53	532150067	Bracket Pnt. Pick off LT/PL Husqvarna
57	874780412	Bolt Hex 1/4-20 x 3/4
58	532151171	Air Duct Engine CV18
60	872140606	Bolt Rdhd Sqnk 3/8-16unc x 3/4
64	532154798	Dash Lower STLT
68	873510400	Nut Keps Hex 1/4-20 UNC
74	873680600	Nut Crownlock 3/8-16 UNC
109	532141461	Bracket Extension Bumper
110	532143679	Plug Plastic
113	532150300	Bumper Asm.
115	817490620	Screw Thdrol 3/8-16 x 1-1/4
129	819091016	Washer 9/32 x 5/8 x 16 Ga.
134	532160219	Rod Support Hood LT/PL Husq.
140	532158418	Bracket Suspension Front
142	532156095	Plate Reinforcement STLT
143	532154966	Bracket Swaybar Chassis
144	532154207	Bracket Pnt Footrest STLT
145	532156524	Rod Pivot Chassis/Hood

NOTE: All component dimensions given in U.S. inches
1 inch = 25.4 mm

For Husqvarna Parts Call 606-678-9623 or 606-561-4983 REPAIR PARTS

TRACTOR - MODEL NO. YTH180 (HCYTH180E), PRODUCT NO. 954 14 00-10

DRIVE



For Husqvarna Parts Call 606-678-9623 or 606-561-4983

REPAIR PARTS

TRACTOR - MODEL NO. YTH180 (HCYTH180E), PRODUCT NO. 954 14 00-10

DRIVE

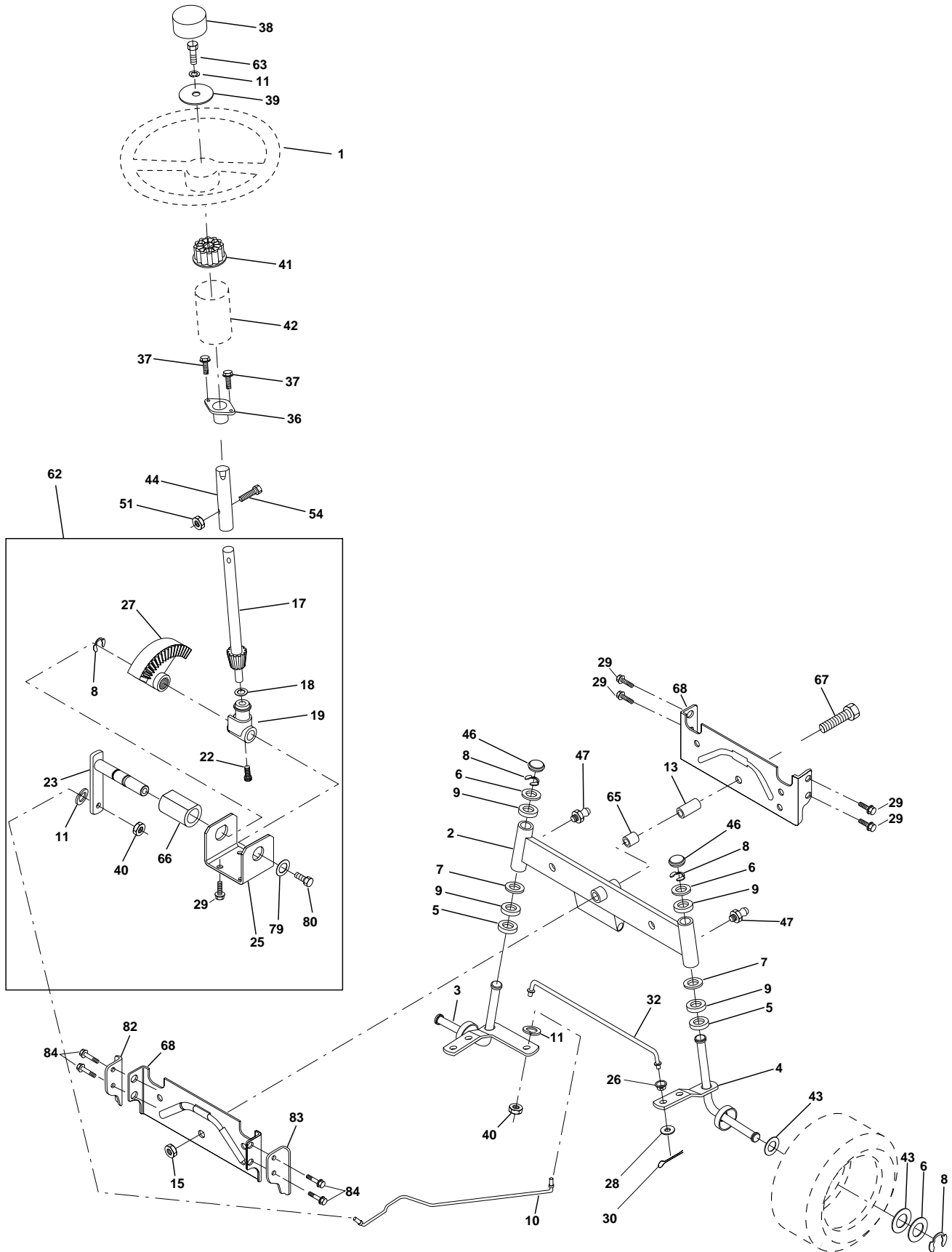
KEY PART NO.	PART NO.	DESCRIPTION	KEY PART NO.	PART NO.	DESCRIPTION
1	532150071	Transaxle w/cas Hydro 310-0650	59	532140312	Keeper, Center Span
2	532142431	Spring, Return, Brake	61	817490612	Screw Thdrol. 3/8-16 x 3/4 Ty. TT
3	532143995	Pulley, Transaxle Hydro 750 LT	62	532123533	Cover, Pedal Premium
8	532154792	Rod Shift STLT	63	532140189	Pulley, Engine
9	532137140	Clutch Electric	65	810040700	Washer Lock Hvy HLCL Spr 7/16
10	876020416	Pin Cotter 1/8 x 1 CAD	66	532154778	Keeper Belt Engine
15	874490544	Bolt Hex 5/16-18 Unc Flghd	73	532156347	Strap Torque Rh Hydro 0650
16	873800500	Nut Lock Hex W/Ins. 5/16-18 Unc P	71	532140158	Strap Torque Lh Hydro 18/20" T
17	532126197	Washer 1-1/2 OD x 15/32 ID x .250	74	532121199	Spacer, Split
18	874780616	Bolt Fin Hex 3/8-16 Unc x 1 Gr.5	75	532121749	Washer 25/32 x 1-1/4 x 16 Ga.
19	873800600	Nut Lock Hex W/Ins 3/8-16 Unc	76	812000001	E-Ring
20	532150280	Bolt, Hex 7/16-20 x 4-1/4 Ga. 5	77	532123583	Key, Square
21	532140845	Knob Deluxe 1/2-13 UNC BLK/BLK	78	532121748	Washer 25/32 x 1-5/8 x 16 Ga
22	532145627	Rod, Brake Hydro	81	532156046	Shaft Asm. Cross Hydro 20" Tires
23	532137141	Bracket Asm Mtg CL	82	532123782	Spring Torsion T/A
24	873350600	Nut Hex Jam 3/8-16 UNC	83	819171216	Washer 17/32 x 3/4 x 16 Ga.
25	532106888	Spring, Brake Rod	84	532140548	Rod, Tie Hydro 20" Tires SPH Ball 4.75
26	819131316	Washer	86	532071208	Bushing Rod Strig. 629/632 ID
27	876020412	Pin Cotter 1/8 x 3/4 CAD.	87	819212016	Washer 21/32 x 1-1/4 x 16 Ga.
28	532145204	Rod, Parking Brake	88	812000008	Ring Klip #5304-62
29	532071673	Cap, Parking Brake	89	532158388	Console, Hydro STLT Fender
30	532130807	Bracket, Transaxle	90	532124346	Nut Self-Thd Wsh-Hd 1/4 Zinc
32	874760512	Bolt Hex Hd 5/16-18 Unc x 3/4	91	874780536	Bolt Fin Hex 5/16-18 x 2-1/4
33	872140506	Bolt Carriage 5/16-18 UNC x 3/4	92	874780524	Bolt Fin Hex 5/16-18 Unc x 1-1/2
34	532155071	Shaft, Foot Pedal	93	532142564	Line Fuel Hydro 4"
35	532120183	Bearing, Nylon	94	532140462	Fan, Hydro 7"
36	819211616	Washer	95	532144643	Control Asm. Bypass Hydro
37	532124963	Pin, Roll	96	532124788	Retainer Spring 1" Zinc/Cad
38	532123674	Pulley, Idler, Flat	97	532140469	Keeper Belt Rh Hydro 0750.18/20"
39	874760644	Bolt	98	873510600	Nut Keps Hex 3/8-16 Unc
40	532124965	Spacer Split	100	819111216	Washer 11/32 x 3/4 x 16 Ga.
41	532154777	Keeper, Belt Idler	102	532141322	Washer Belleville .501D x 1.50D
42	819131312	Washer 13/32 x 13/16 x 12 Ga	103	873940800	Nut Hex Jam Toplock 1/4-20 Unf
43	819111012	Washer 11/32 x 5/8 x 12 Ga.	104	532140156	Arm, Control Hydro
47	532127783	Pulley, Idler, V-Groove Plastic	105	871070516	Screw Cap Hex 5/16 x 18 x 1
48	532154407	Bellcrank Clutch Grnd Drv STL	106	874780520	Bolt Fin Hex 5/16-18 Unc x 1-1/4
49	532123205	Retainer, Belt Style Spring	148	532159103	Spacer
50	874760624	Bolt	149	532122052	Spacer Retainer PM Mower
51	873680600	Nut	150	532150935	Bushinf Nylon Collered
52	873680500	Nut Crown Lock 5/16-18	151	819133210	Washer 13/32 x 2 x 10 Ga.
53	532105710	Link, Clutch			
55	532105709	Spring, Return, Clutch			
56	874760620	Bolt, Fin Hex 3/8-16 UNC x 1 1/4			
57	532140294	V-Belt, Ground Drive			

NOTE: All component dimensions given in U.S. inches
1 inch = 25.4 mm

For Husqvarna Parts Call 606-678-9623 or 606-561-4983 REPAIR PARTS

TRACTOR - MODEL NO. YTH180 (HCYTH180E), PRODUCT NO. 954 14 00-10

STEERING ASSEMBLY



For Husqvarna Parts Call 606-678-9623 or 606-561-4983

REPAIR PARTS

TRACTOR - MODEL NO. YTH180 (HCYTH180E), PRODUCT NO. 954 14 00-10

STEERING ASSEMBLY

KEY NO.	PART NO.	DESCRIPTION
1	532124415	Wheel Steering
2	532137094	Axle Front Casting Machined
3	532157479	Spindle Asm LH
4	532157478	Spindle Asm RH
5	532124931	Bearing Race Thrust Harden
6	532121748	Washer 25/32 X 1-5/8 X 16 Ga
7	819272016	Washer 27/32 X 1-1/4 X 16 Ga
8	812000029	Ring Klip #t5304-75
9	532124937	Bearing Col Strg Blk
10	532154432	Link Drag Extended Cast
11	810040600	Washer Lock Hvy Hlcl Spr 3/8
13	532154779	Bearing Axle STLT/GT
15	873901000	Nut Lock Flange 5/8-11 Unc
17	532156546	Shaft Asm Strg
18	532057079	Washer Thrust 515x 750x 033
19	532124035	Support Shaft
20	532126684	Washer Shim 1/4 X 5/8 X 062
22	871200410	Screw Hex Socket 1/4-20 x 5/8
23	532127501	Shaft Asm Pittman
25	532154406	Bracket Steering
27	532136874	Gear Sector
29	817490612	Screw Thdrol 3/8-16x3/4 Ty-tt
32	532137347	Rod Asm Tie Ball
36	532155099	Bushing Strg
37	532152927	Screw
38	532124416	Insert Cap Strg Wh Au
39	819133808	Washer 13/32 X 2-3/8 X 8 Ga
40	532124701	Lock nut
41	532100711	Adaptor Wheel Strg
42	532155092	Boot Steering Shaft
43	532121749	Washer 25/32 X 1 1/4 X 16 Ga
44	532153720	Extension Steering Shaft LR/LT
46	532121232	Cap Spindle Fr Top Blk
47	532124836	Fitting Grease
51	873800500	Nut Lock Hex w/Ins 5/16-18
54	874780520	Bolt Fin Hex 5/16-18 Unc x 1-1/4
62	532156594	Kit, Steering Assembly Svc
63	874780616	Bolt Fin Hex 3/8-16unc x 1 Gr. 5
65	532154780	Spacer Axle
66	532154404	Bearing Arm Pittman
67	874781044	Bolt, Fin Hex 5/8-11 UNC x 2-3/4
68	532154429	Axle, Brace

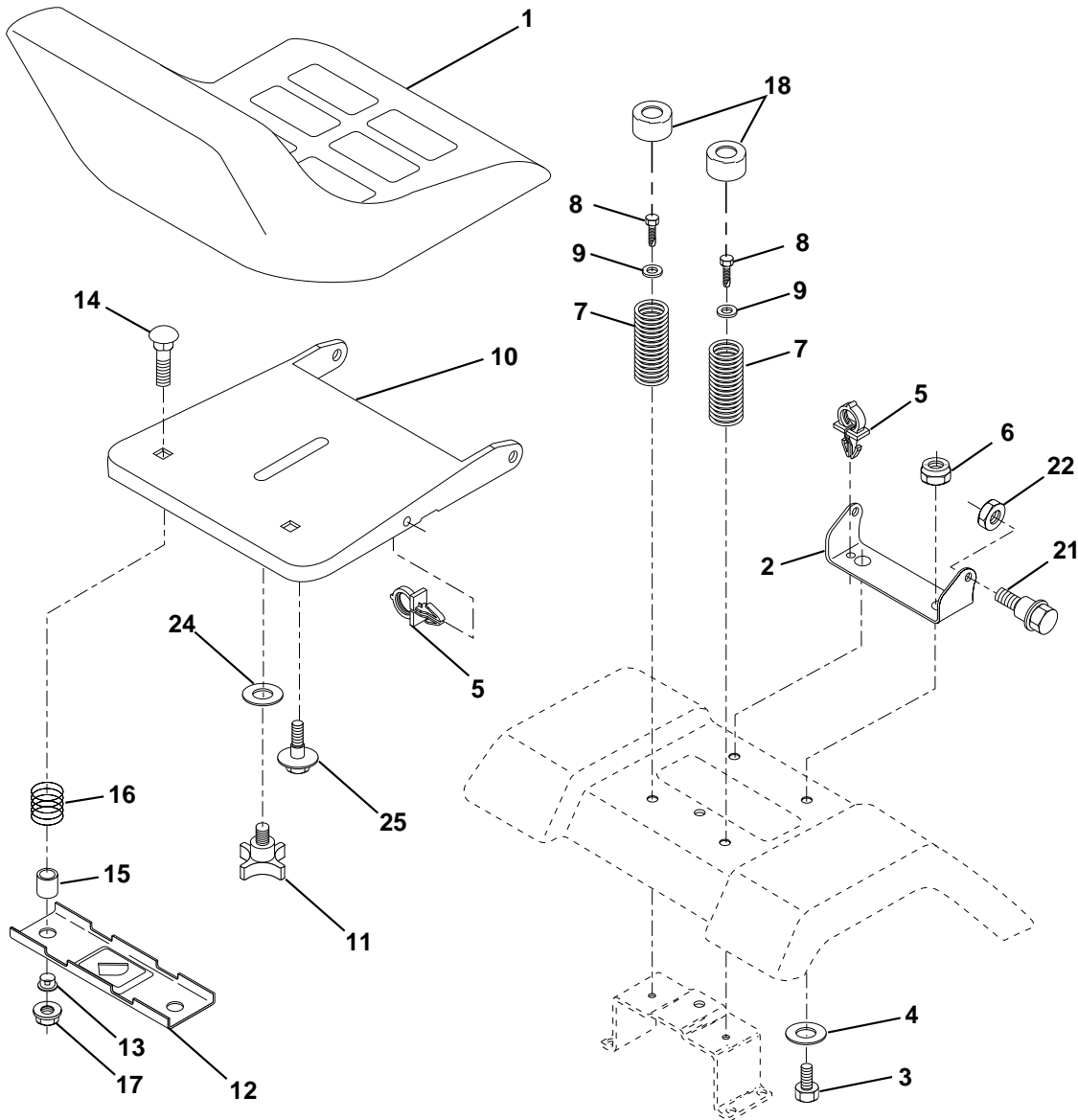
NOTE: All component dimensions given in U.S. inches.
1 inch = 25.4 mm.

For Husqvarna Parts Call 606-678-9623 or 606-561-4983

REPAIR PARTS

TRACTOR - MODEL NO. YTH180 (HCYTH180E), PRODUCT NO. 954 14 00-10

SEAT



KEY PART NO. NO.

DESCRIPTION

1	532140840	Seat
2	532140551	Bracket Pivot Seat 8 720
3	874760616	Bolt Fin Hex 3/8-16unc X 1
4	819131610	Washer 13/32 X 1 X 10 Ga
5	532145006	Clip Push-In
6	873800600	Nut Hex w/Ins. 3/8-16 Unc
7	532124181	Spring Seat Cprsn 2 250 Blk Zi
8	817490616	Screw Thdrol 3/8-16 X 1 Ty-tt
9	819131614	Washer 13/32 X 1 X 14 Ga.
10	532155925	Pan Seat
11	532120068	Knob Seat 1/2-13 Unc Blk
12	532121246	Bracket Mounting Switch

KEY PART NO. NO.

DESCRIPTION

13	532121248	Bushing Snap Blk Nyl 50 Id
14	872050412	Bolt Rdhd Sqnk 1/4-20x1-1/2
15	532121249	Spacer Split 28 x .88 Zinc
16	532123740	Spring Cprsn Plate
17	532123976	Nut Lock 1/4 Lge Flg Gr 5 Zinc
18	532124238	Cap Spring Seat
21	532153236	Bolt Shoulder 5/16-18 Unc
22	873800500	Nut Hex Lock W/Ins 5/16-18
24	819171912	Washer 17/32 X 1-3/16 X 12 Ga.
25	532127018	Bolt Shoulder 5/16-18 X 62

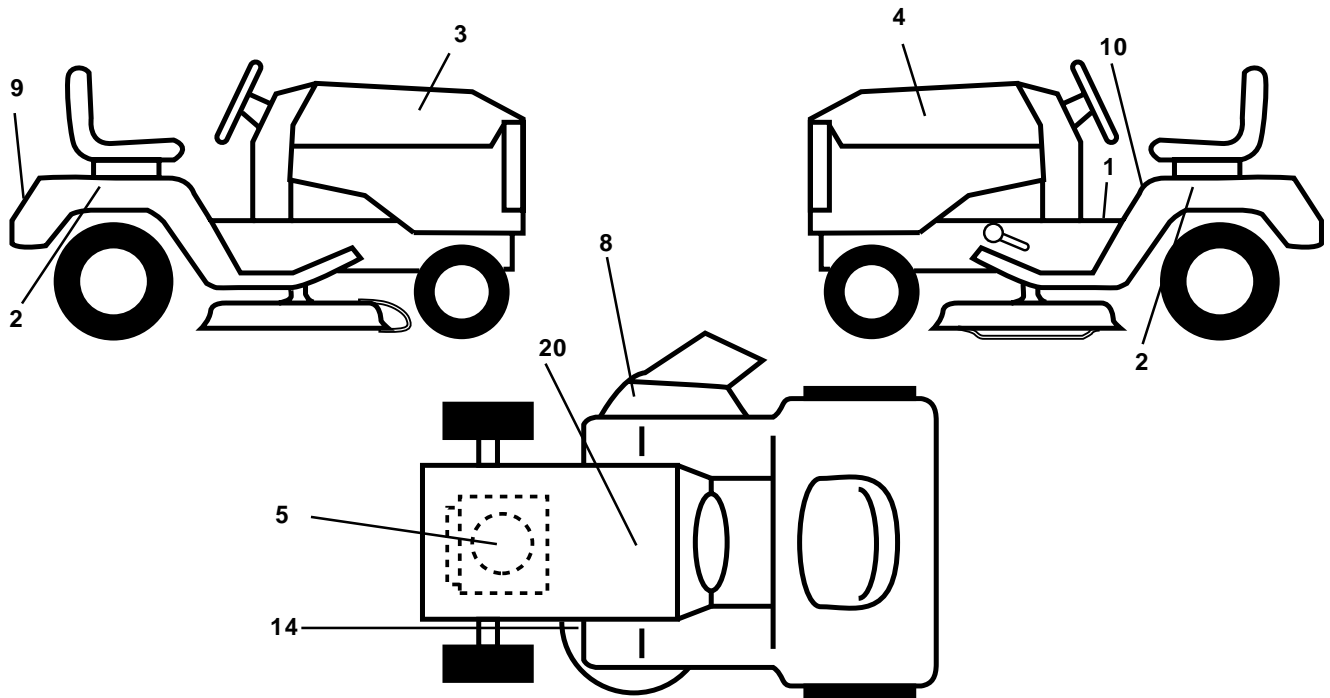
NOTE: All component dimensions given in U.S. inches.
1 inch = 25.4 mm

For Husqvarna Parts Call 606-678-9623 or 606-561-4983

REPAIR PARTS

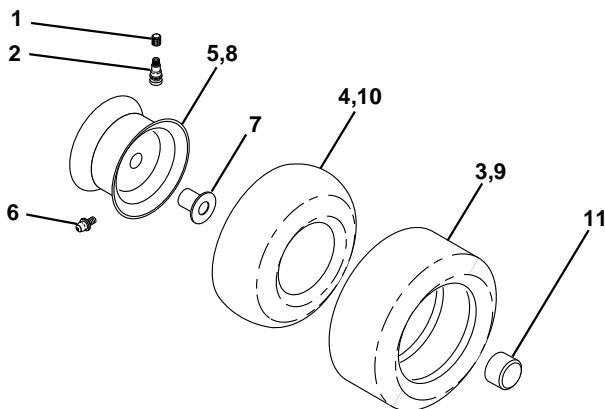
TRACTOR - MODEL NO. YTH180 (HCYTH180E), PRODUCT NO. 954 14 00-10

DECALS



KEY NO.	PART NO.	DESCRIPTION	KEY NO.	PART NO.	DESCRIPTION
1	532157032	Decal Oper Step Thru E/F	--	532154515	Pad Footrest LH STLT
2	532157007	Decal Fender Auto Husq. Radius	--	532154516	Pad Footrest RH STLT
3	532150727	Decal Hood RH	--	532138311	Decal Handle Lft Height Adjust
4	532150728	Decal Hood LH	--	532162570	Manual Owner's (English)
5	532163283	Decal HP Engine	--	532162571	Manual Owner's (French)
8	532137259	Decal Warning	Available accessories not included with tractor:		
9	532150617	Decal Fender Husq	--	LC06	Tire Chains
10	532157140	Decal Fender Danger E/F	--	LSB42	42" Snow Blower
14	532160397	Decal V-Belt Schematic	--	LC05	Wheel Wts (Pair)
20	532145005	Decal Bat Dan/Psn	--	C42	Grass Catcher
--	532142341	Decal Drawbar Cntrl Mvt Hyd Lt	--	LBD48	48" Snow Blade

WHEELS & TIRES



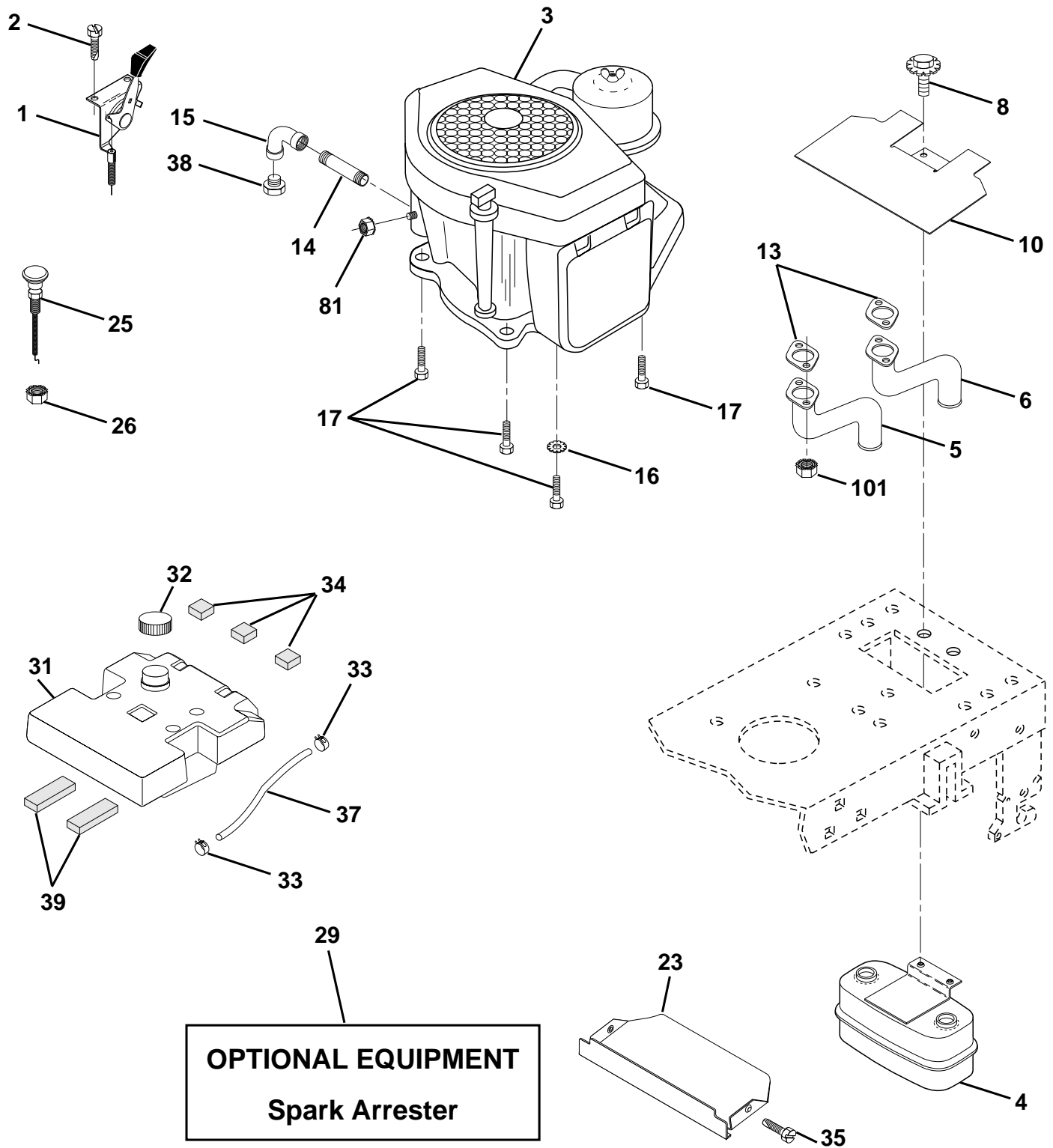
KEY NO.	PART NO.	DESCRIPTION
1	532059192	Cap Valve Tire
2	532065139	Stem Valve
3	532106222	Tire F Ts 15 X 6 0 - 6 Service
4	532059904	Tube Front (Service Item Only)
5	532138336	Rim Asm 6"front Silver Service
6	532124957	Fitting Grease (Front Wheel Only)
7	532124959	Bearing Flange (Front Wheel Only)
8	532138337	Rim Asm 8"rear Silver Service
9	532122082	Tire R Ts 20x10-8 C Service
10	532124926	Tube Rear (Service Item Only)
11	532104757	Cap Axle Blk 1 50 X 1 00
--	532144334	Sealant, Tire (10 oz. Tube)

NOTE: All component dimensions given in U.S. inches
1 inch = 25.4 mm

For Husqvarna Parts Call 606-678-9623 or 606-561-4983 REPAIR PARTS

TRACTOR - MODEL NO. YTH180 (HCYTH180E), PRODUCT NO. 954 14 00-10

ENGINE



For Husqvarna Parts Call 606-678-9623 or 606-561-4983

REPAIR PARTS

TRACTOR - MODEL NO. YTH180 (HCYTH180E), PRODUCT NO. 954 14 00-10

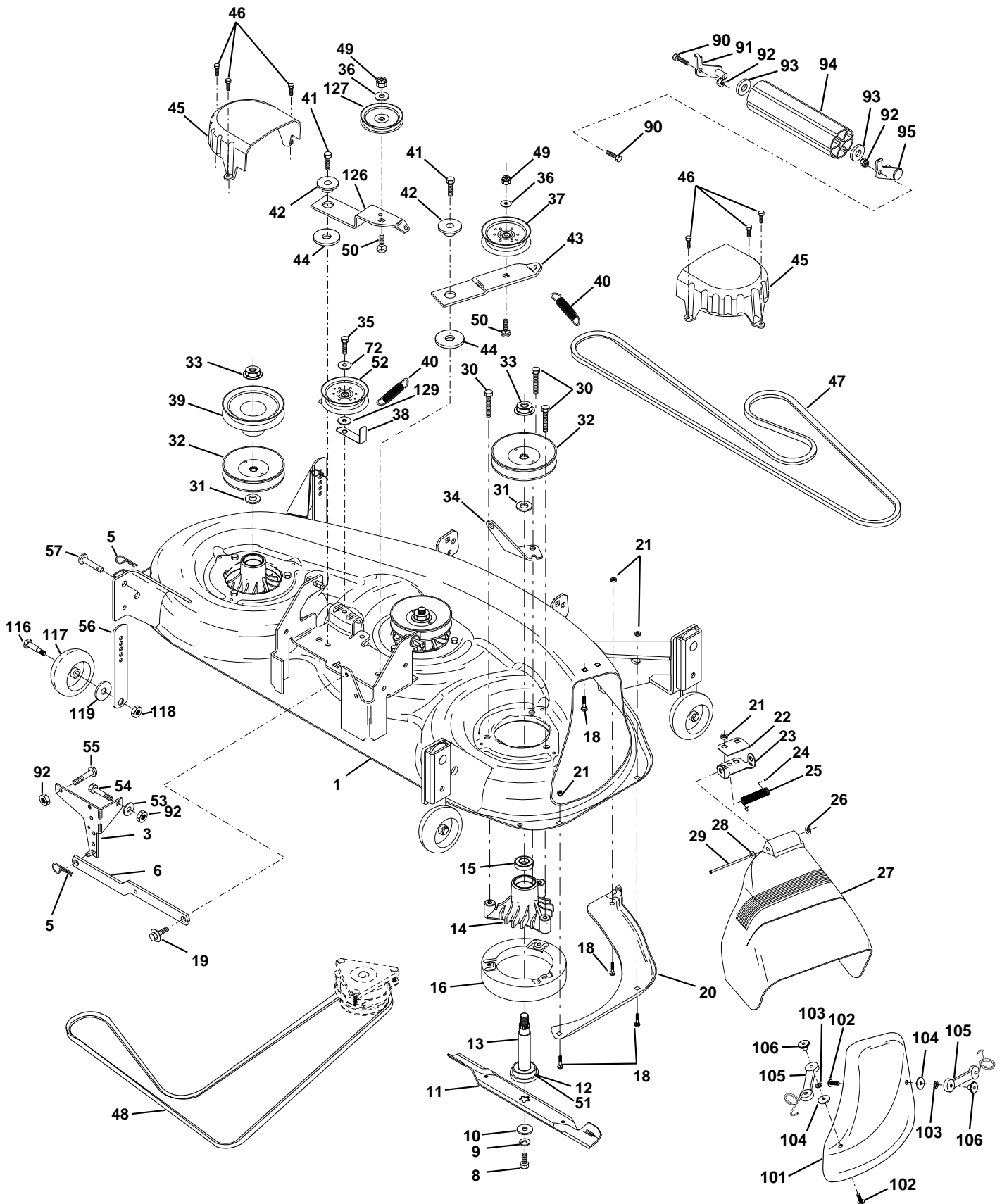
ENGINE

KEY NO.	PART NO.	DESCRIPTION
1	532155274	Control Throt Flg 180 LH
2	817720410	Screw Hex Thd Cut 1/4-20x5/8 T
3	-----	Engine, Kohler CV18S
4	532149723	Muffler Asm Twin Lo-Tone
5	532146699	Pipe Exhaust CV18/20 LH
6	532146700	Pipe Exhaust CV18/20 RH
7	532124996	Clip, Fuel Line
8	532150176	Bolt 5/16-18unc x 3/4 W/Sems
10	532146629	Shield Heat Muffler CV18/20
13	532163307	Muffler Gasket
14	813280336	Nipple Pipe 3/8 Npt X 4-1/2"
15	813200300	Elbow Std 90 Degree 3/8-18 Npt
16	811050600	Washer Lock Ext Tooth 3/8
17	817490624	Screw Thdrol 3/8-16 x 1-1/2
23	532159880	Shield Browning/Debris Guard
25	532145996	Choke Control 37"
26	873920600	Nut, Keps 3/8-24 Unf
29	532137180	Kit Spark Arrestor (Flat Scrn)
31	532157103	Tank Fuel 3 50 STL w/o Sensor
32	532140527	Cap Asm Fuel Top N/Lany Vented
33	532123487	Clamp Hose Blk
35	817490512	Screw Thdrol 5/16-18 x 3/4
34	532106082	Pad, Spacer
37	532124923	Line Fuel 7.5
38	-----	Plug Oil Drain (Order From Engine Manufacturer)
39	532109227	Pad, Idler
40	532124952	Bushing
41	532139277	Stem Tank Fuel
81	532128861	Nut Flange 1/4-20 Starter Nut
101	532163305	Nut Flange M8-1.25 Non-LK Zinc

NOTE: All component dimensions given in U.S. inches 1 inch = 25.4 mm

For Husqvarna Parts Call 606-678-9623 or 606-561-4983
REPAIR PARTS

TRACTOR - MODEL NO. YTH180 (HCYTH180E), PRODUCT NO. 954 14 00-10
MOWER DECK



For Husqvarna Parts Call 606-678-9623 or 606-561-4983

REPAIR PARTS

TRACTOR - MODEL NO. YTH180 (HCYTH180E), PRODUCT NO. 954 14 00-10

MOWER DECK

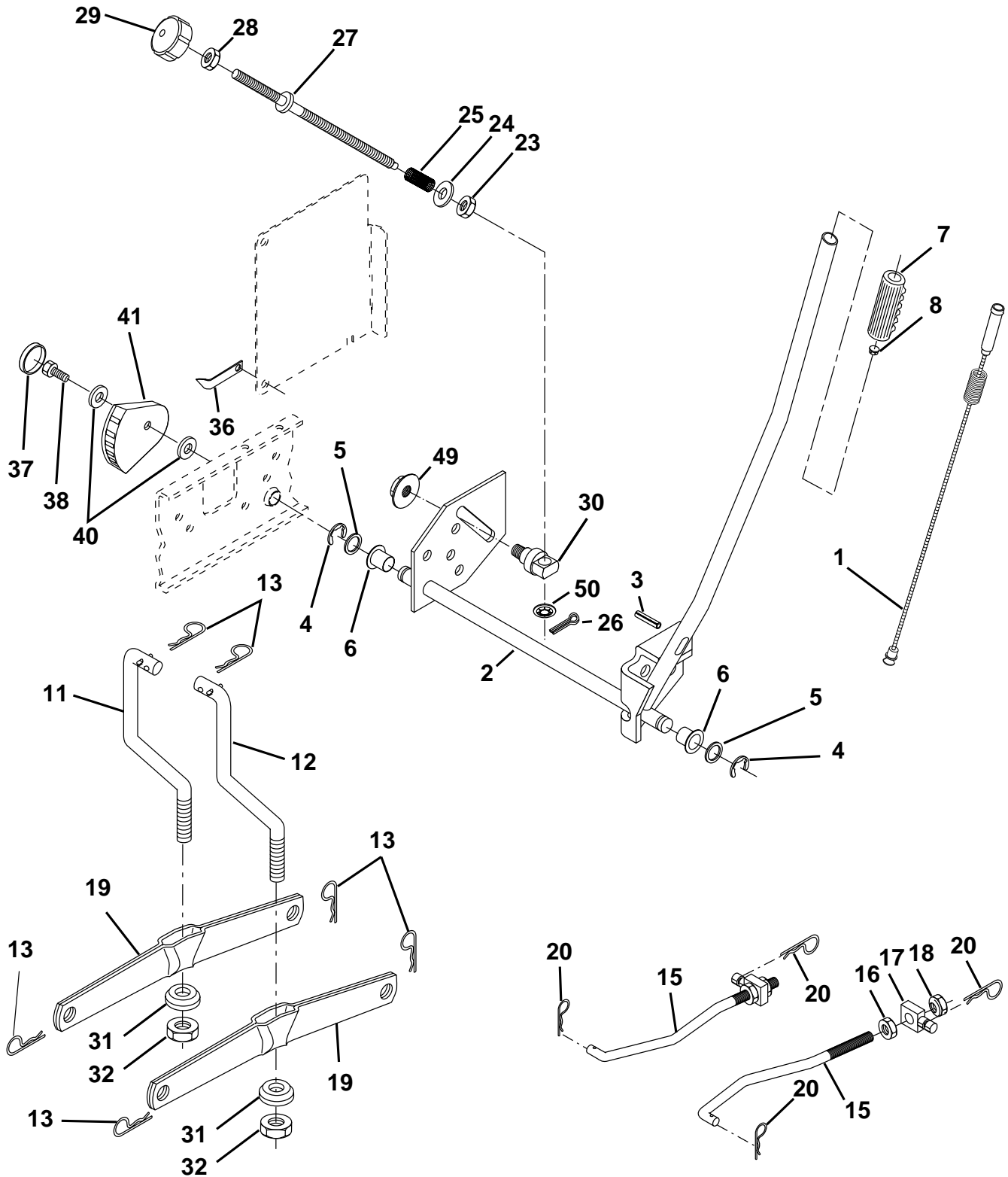
KEY NO.	PART NO.	DESCRIPTION	KEY NO.	PART NO.	DESCRIPTION
1	532161031	Deck Asm., Mower 46"	46	532137729	Screw, Thdroll. 1/4-20 x 5/8
3	532138457	Bracket Asm., Sway Bar	47	532144959	V-Belt, Mower, Secondary
5	532124670	Retainer Spring	48	532139573	V-Belt, Mower, Primary
6	532130832	Arm, Suspension, Rear (Sway Bar)	49	873680600	Nut, Crownlock 3/8-16 UNC
8	532850857	Bolt, Patched 3/8-24 x 1-1/4 Gr. 8	50	872110612	Bolt, Carriage 3/8-16 x 1-1/2 Gr. 5
9	810030600	Washer, Lock Hvy., Unplated 3/8	51	532153390	Washer, Felt
10	532140296	Washer, Hard Blade, Mower Vented	52	532156493	Pulley Idler 46 Pri. Drive
11	532152443	Blade, 46" Mower Deck	53	819131312	Washer 13/32 x 13/16 x 12 Ga.
12	532129895	Bearing, Ball, Mandrel #6204	54	874780616	Bolt Fin Hex 3/8-16unc x 1 Gr. 5
13	532137553	Shaft Asm. w/Lower Bearing (Includes Key No. 12)	55	872140608	Bolt Rdhd Sqnk 3/8-16 unc x 1
14	532137152	Housing, Mandrel	56	532162648	Bar Pnt Adjusting Wheel Gauge
15	532110485	Bearing, Ball, Mandrel	57	532156941	Pin Head, Rivet
16	532140329	Stripper, Mower Round	72	819131616	Washer 13/32 x 1 x 16 Ga.
18	872140505	Bolt, Carriage 5/16-18 x 5/8	90	874760616	Bolt, Fin, Hex 3/8-16 unc x 1
19	532132827	Bolt, Hex Head, Shoulder 5/16-18	91	532132274	Bracket, Asm Noseroller, LH
20	532145055	Baffle, Vortex Mower 46"	92	873800600	Nut, Lock, Hex w/Ins 3/8-16 unc
21	873680500	Nut, Crownlock 5/16-18 UNC	93	819171416	Washer 17/32 x 7/8 x 16 Ga.
22	532134753	Stiffener, Bracket	94	532132264	Roller, Nose 38 & 42
23	532131267	Bracket, Deflector	95	532132273	Bracket, asm Noseroller RH
24	532105304	Cap, Sleeve	101	532145579	Cover, Mulching
25	532149287	Spring, Torsion, Deflector	102	871161010	Screw
26	532110452	Nut, Push	103	810071000	Washer, Lock #10
27	532157788	Shield, Deflector Mower	104	819061216	Washer
28	819111016	Washer 11/32 x 5/8 x 16 Ga.	105	532160793	Latch Asm. Bagger
29	532131491	Rod, Hinge	106	532125004	Nut, Weld
30	532157722	Screw, Thdroll Washer Head	116	532137644	Bolt, Shoulder
31	532129963	Washer, Spacer Mower Vented	117	532133957	Gauge Wheel
32	532153531	Pulley, Mandrel	118	873930600	Nut, Centerlock 3/8-16 unc
33	532137266	Nut, Fig. Top Lock Cntr. 9/16	119	819121414	Washer 3/8 x 7/8 x 14 Ga.
34	532144945	Anchor, Spring Deck 46"	126	532144948	Arm, Idler, Primary Deck 46"
35	817490628	Screw, Thdroll 3/8-16 x 1-3/4 Tytt	127	532146763	Pulley, Idler, V-Groove Dim. 4.25
36	819131316	Washer 13/32 x 13/16 x 16 Ga.	--	532143651	Mandrel Assembly (Includes Key Nos. 8-10, 12-15, 31 and 33)
37	532131494	Pulley, Idler, Flat	--	532161027	Mower Serv 46" (Standard Deck Order nose roller, gauge wheels, and mulching plate components separately Key Nos. 90-95, 116-118, 101-106)
38	532156086	Keeper, Belt, Idler			
39	532144917	Pulley, Idler, Driven			
40	532137273	Spring, Secondary 44/46/50 Vent			
41	817490620	Screw, Thdroll 3/8-16 x 1-1/4 Tytt			
42	532122052	Spacer, Retainer			
43	532144949	Arm, Idler Secondary			
44	532133943	Washer, Hardened			
45	532145059	Cover, Mandrel Deck			

NOTE: All component dimensions given in U.S. inches
1 inch = 25.4 mm

For Husqvarna Parts Call 606-678-9623 or 606-561-4983 REPAIR PARTS

TRACTOR - MODEL NO. YTH180 (HCYTH180E), PRODUCT NO. 954 14 00-10

MOWER LIFT



For Husqvarna Parts Call 606-678-9623 or 606-561-4983

REPAIR PARTS

TRACTOR - MODEL NO. YTH180 (HCYTH180E), PRODUCT NO. 954 14 00-10

MOWER LIFT

KEY NO.	PART NO.	DESCRIPTION
1	532159460	Wire Asm Inner/Sprg W/plunger Lt
2	532159471	Shaft Asm Lift RH w/Inf
3	532105767	Pin Groove 1 500 Zinc
4	812000002	E Ring #5133-62
5	819211621	Washer 21/32 X 1 X 21 Ga
6	532120183	Bearing Nylon Blk 629 Id
7	532125631	Grip Handle Fluted Blk
8	532124526	Button Plunger Black
11	532139865	Link Lift LH Fixed Length
12	532139866	Link Lift RH Fixed Length
13	532124670	Retainer Spring
15	532127218	Link Front
16	873350800	Nut Jam Hex 1/2-13 Unc
17	532130171	Trunnion Blk Zinc
18	873800800	Nut Lock W/wsh 1/2-13unc
19	532139868	Arm Suspension Rear
20	532124660	Retainer Spring
23	532110807	Nut Special
24	819131016	Washer 13/32 X 5/8 X 16 Ga
25	532124874	Spring 2-1/8"
26	876020308	Pin Cotter 3/32 X 1/2
27	532126971	Rod Adj Lift Zinc 7.49 Wrk Lg
28	873350600	Nut Hex Jam 3/8-16 Unc
29	532138057	Knob Inf 3/8-16 Unc Blk W/sym
30	532150233	Trunnion Infin Height
31	532140302	Bearing Pvt Lift Spherical
32	873540600	Nut Crownlock 3/8 - 24
36	532155097	Indicator Height STLT
37	532123935	Plug Hole Blk 1.485/1.515 Dia.
38	817490512	Screw Thdrol 5/16-18 x 3/4
40	819112410	Washer 11/32 x 1-1/2 10 Ga.
41	532155098	Scale Ind. Height Blk.
49	532145212	Nut Hex Flange Lock
50	532110452	Nut Push Phos & Oil

NOTE: All component dimensions given in U.S. inches
1 inch = 25.4 mm

For Husqvarna Parts Call 606-678-9623 or 606-561-4983

REPAIR PARTS

TRACTOR - MODEL NO. YTH180 (HCYTH180E), PRODUCT NO. 954 14 00-10
 HYDRO GEAR TRANSAXLE - MODEL NUMBER 310-0650

KEY PART NO.	NO.	DESCRIPTION	KEY PART NO.	NO.	DESCRIPTION
1	532142930	Housing, Lower	43	532142884	Washer 7/16 x 7/8 x .060
2	532142931	Assembly, Upper Housing	44	532150829	Differential Assembly
3	532142932	Seal, Lip	52	532142991	Washer 3/4 x 1.5 x .13
4	532142928	Ring, Wire Retaining	53	532142961	Seal .75 x 1.25 x .250
5	532142933	Ring, Retaining	56	532142963	Shaft, Input
6	532142934	Bearing, Shaft Ball	58	532142964	Bolt 1/4-20 x 1.38
7	532142935	Bearing, Cradle	59	532142965	Pin .5 OD x .43 ID x .750
8	532150771	Bearing, Thrust 30 x 52 x 13	62	532142966	Arm, Control
9	532142937	Swashplate, Variable	63	532142967	Puck, Dampener
13	532142938	Block, Cylinder Assembly	64	532142920	Set Screw
14	532142939	Arm, Trunion	68	532142969	Spring
15	532142940	Seal, Lip	69	532144610	Stud 5/16-24
17	532142941	Guide, Slot	83	532142971	Jackshaft Assembly
18	532150772	Shaft, Motor	85	532150806	Jackshaft
19	532150773	Bearing, Thrust 42 x 68 x 16	88	532142973	Screw, Cap
23	532142944	Block, Cylinder Assembly	89	532142974	Washer 7/16 x 1 x 1/2
24	532142945	Seal, Lip 10 x 25 x 7	90	532142975	Sleeve Bearing
25	532142946	Actuator, Bypass	91	532142976	Seal, Wiper
26	532150774	Center Section Assembly Kit	92	532142977	Spring, Block
27	532142948	Seal, Lip 26 x 42 x 8	93	532142978	Washer, Block Thrust
28	532142949	Ring, Retaining	113	532142917	Cap, Vent Assembly
29	532142950	Washer 26 x 35 x 1	114	532142918	Fitting, O-Ring Assembly
30	532150787	Plate, Bypass	119	532142980	Spacer
34	532142951	Oil Filter Element	134	532144607	Nut, Castle 5/16-24
35	532142952	Arm, Bypass	135	532144608	Pin, Cotter
36	532142953	Ring, Retaining	139	532150775	Spring, Compression
37	532142954	Arm, Actuating	140	532150776	Nut, Hex 5/16-24
38	532142955	Pin, Actuating			
39	532150777	Bolt 5/16-24 x 1-3/4			
40	532150778	Locknut, Hex 5/16-24 UNJC			
41	532142958	Brake Rotor/Stator Kit			

NOTE: All component dimensions given in U.S. inches
 1 inch = 25.4 mm