

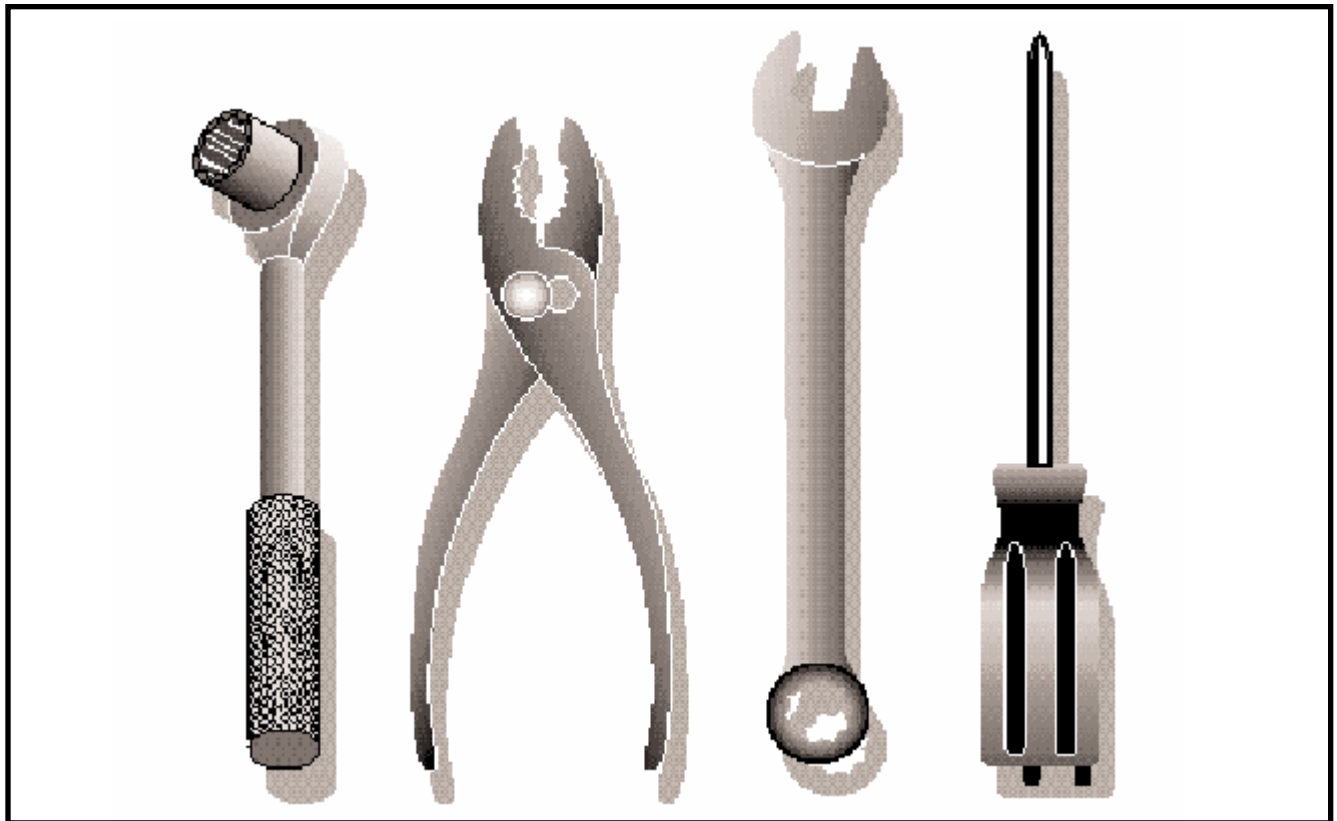
For Husqvarna Parts Call 606-678-9623 or 606-561-4983



Illustrated Parts List	1996-01
	19602010

YT 150

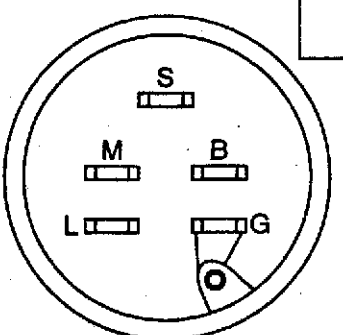
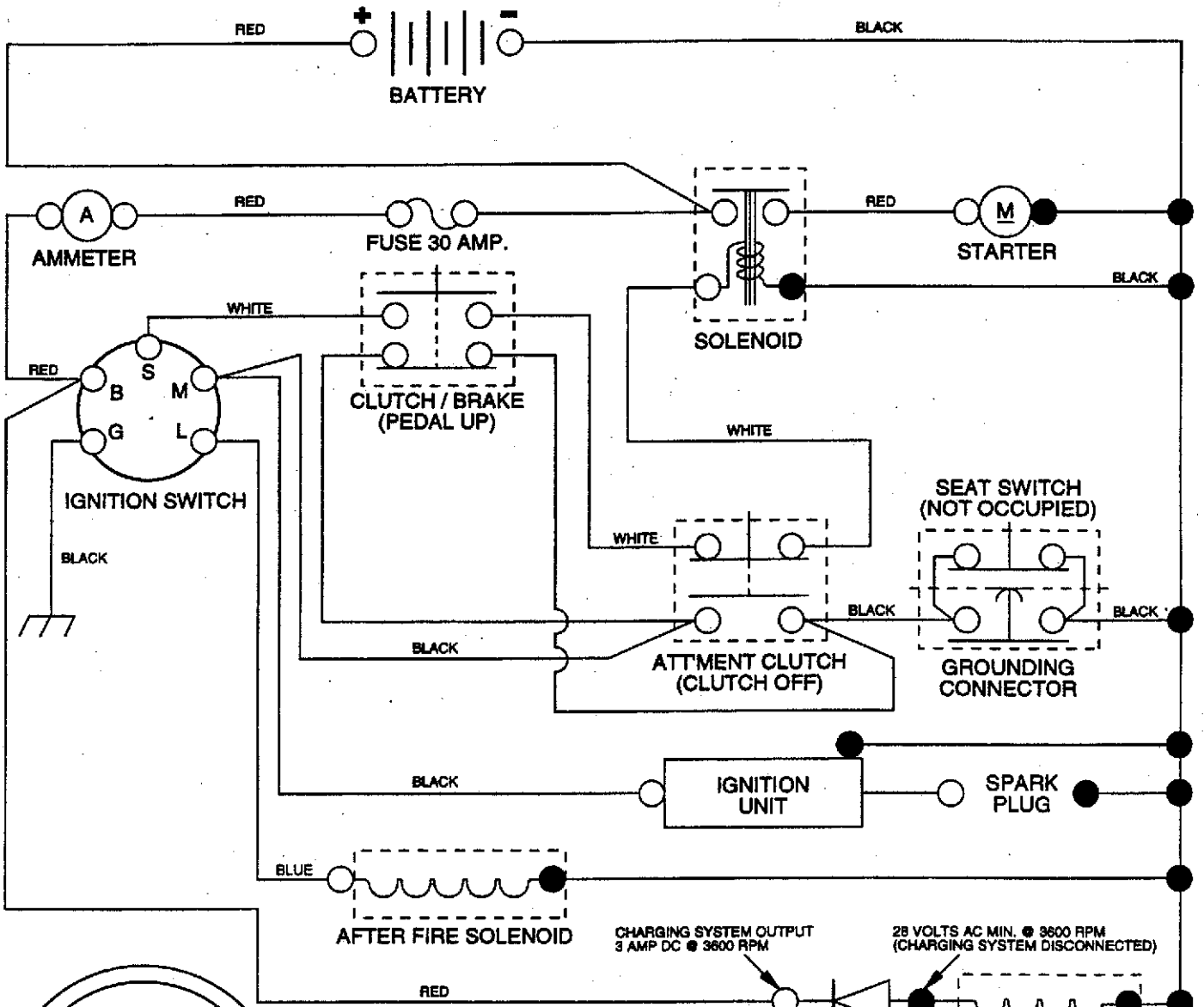
(HCYT150A) 954840021



Repair Parts Manual

Ride Mower

SCHEMATIC



IGNITION SWITCH

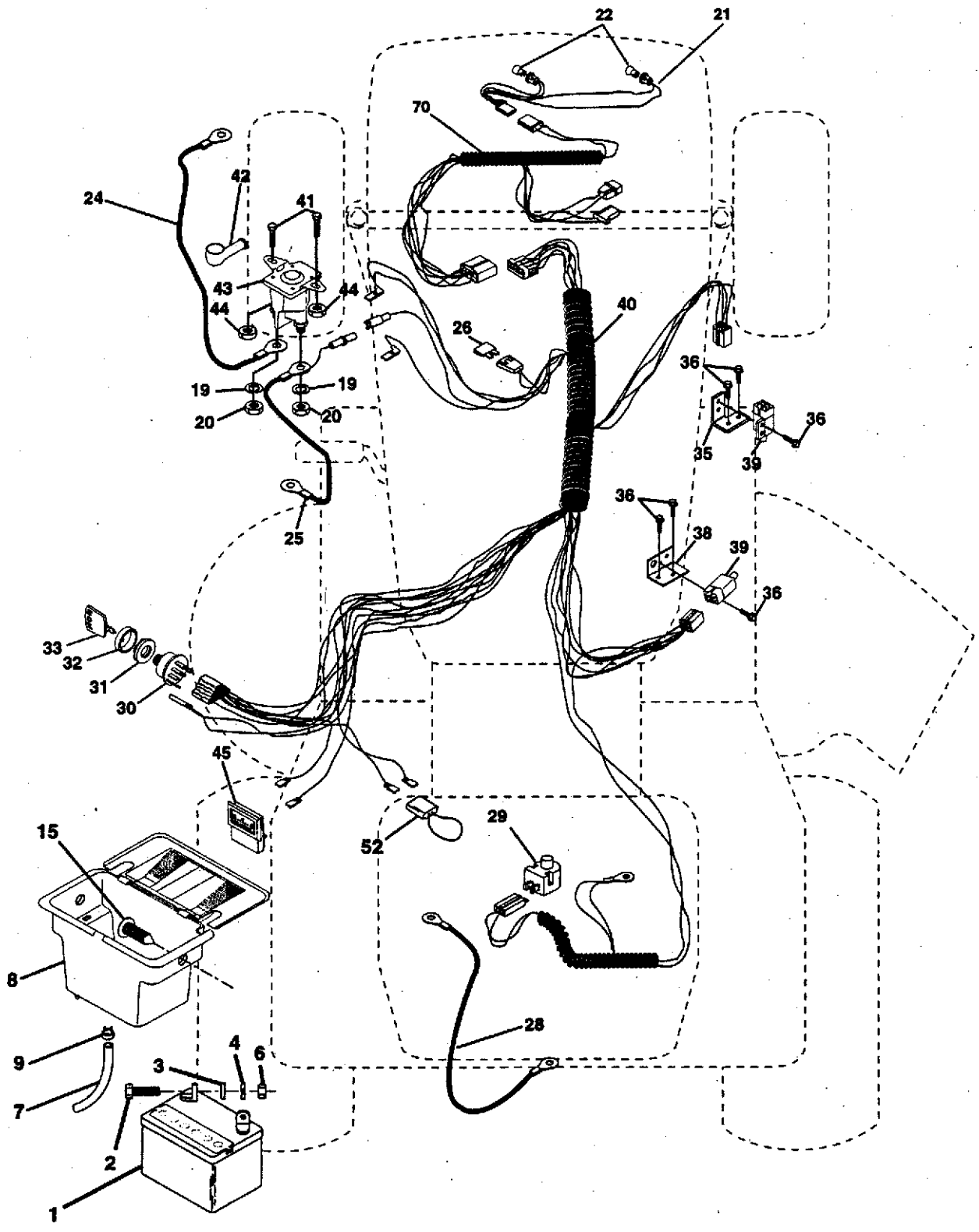
POSITION	CIRCUIT
OFF	M + G
ON	B + L
START	B + S + L

NOTE
 YOUR TRACTOR IS EQUIPPED WITH A SPECIAL ALTERNATOR SYSTEM. THE LIGHTS ARE NOT CONNECTED TO THE BATTERY, BUT HAVE THEIR OWN ELECTRICAL SOURCE. BECAUSE OF THIS, THE BRIGHTNESS OF THE LIGHTS WILL CHANGE WITH ENGINE SPEED. AT IDLE THE LIGHTS WILL DIM. AS THE ENGINE IS SPEEDED UP, THE LIGHTS WILL BECOME THEIR BRIGHTEST.

WIRING INSULATED CLIPS
NOTE: IF WIRING INSULATED CLIPS WERE REMOVED FOR SERVICING OF UNIT, THEY SHOULD BE REPLACED TO PROPERLY SECURE YOUR WIRING.

● NON-REMOVABLE CONNECTIONS ○ REMOVABLE CONNECTIONS

ELECTRICAL



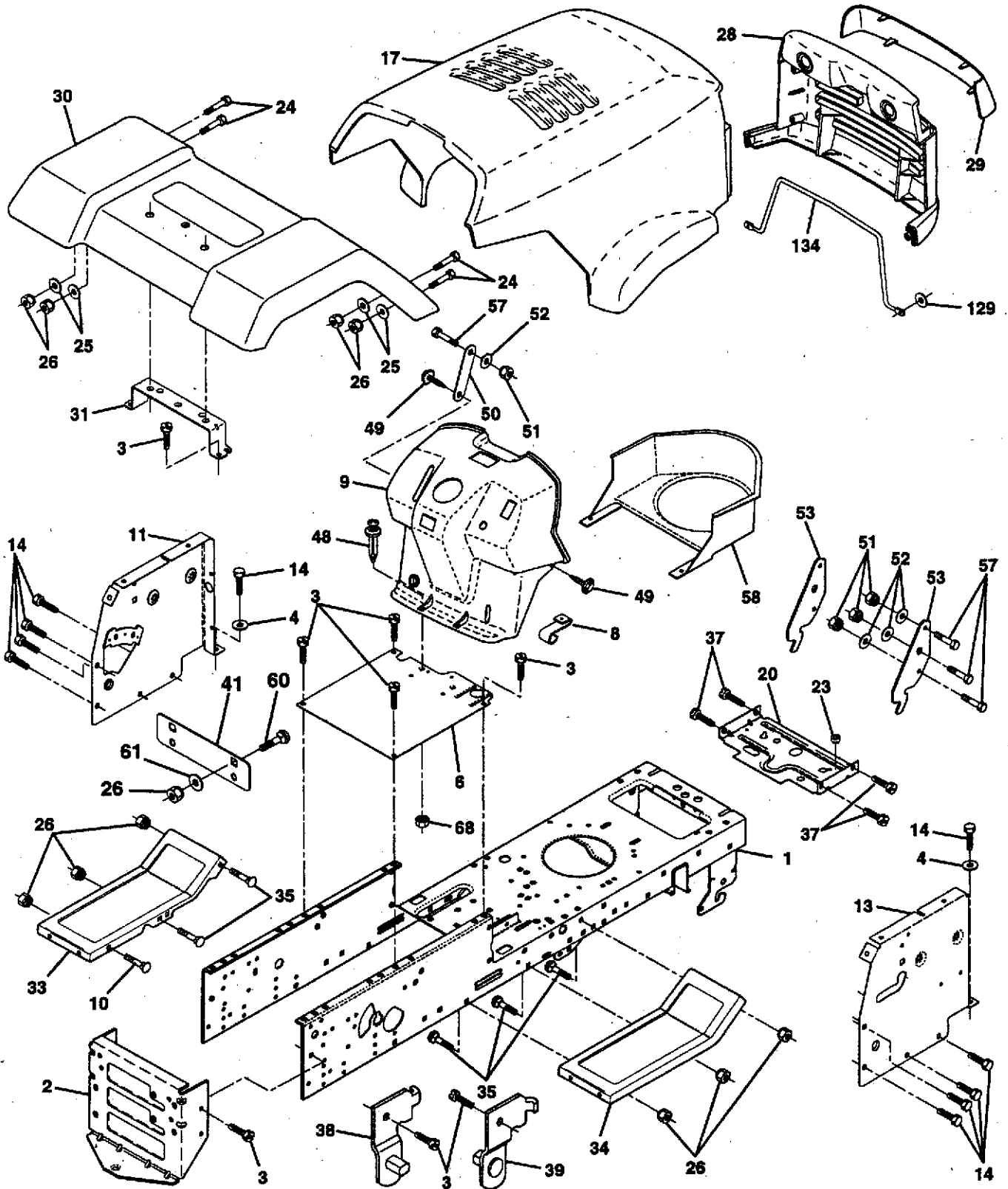
TRACTOR - MODEL NO. YT150 (HCYT150A) PRODUCT NO. 954 84 00-21

ELECTRICAL

KEY NO.	PART NO.	DESCRIPTION
1	532146139	Battery 12 Volt 25 AMP
2	874760412	Bolt Hex Hd 1/4-20unc X 3/4
3	819091016	Washer 9/32 X 5/8 X 16 Ga.
4	810040400	Washer Lock Hvy Helical 1/4
6	873220400	Nut Fin Hex 1/4-20 Unc
7	532109238	Tube Plastic 12"
8	532144940	Case Battery Hng Mech W/lid W/ Holes W.Brty
9	532109596	Clamp Hose Olive
15	532147688	Fastner, Snap-In
19	810090400	Washer Lock 1/4
20	873350400	Nut Jam Hex 1/4-20 Unc
21	532147426	Harness Asm Light W/4152j
22	532004152	Bulb Light #1156
24	532124780	Cable Battery 6 Ga 11" red
25	532146147	Cable Battery 6 Ga red w/16 wire
26	532108824	Fuse 30 AMP Auto Green
28	532124773	Cable Ground 6 Ga 12" black
29	532121305	Switch Plunger Nc Gray
30	532140301	Switch Ign 4 pos w/lights
31	532124211	Nut Ignition
32	532141226	Cover Sw Ignition
33	532122147	Key Ign Modleded Generic
35	532108236	Bracket Switch Clutch
36	817021008	Screw Tap Hex #10-24unc X 1/2
38	532140336	Bracket, Switch, Interlock
39	532109553	Switch Intlk Clutch Red 4 Term
40	532151212	Harness Ign Hm LT PL Mech
41	871110408	Bolt Blk Fin Hex 1/4 - 20 x 1/2 UNC
42	532131563	Cover Terminal Red
43	532145673	Solenoid
44	873640400	Nut Keps Hex 1/4-20 Unc
45	532121433	Ammeter Rectangular
52	532141940	Protection Wire Loop
70	532141164	Harness, Eng.

NOTE: All component dimensions given in U.S. inches.
 1 inch = 25.4 mm.

CHASSIS AND ENCLOSURES



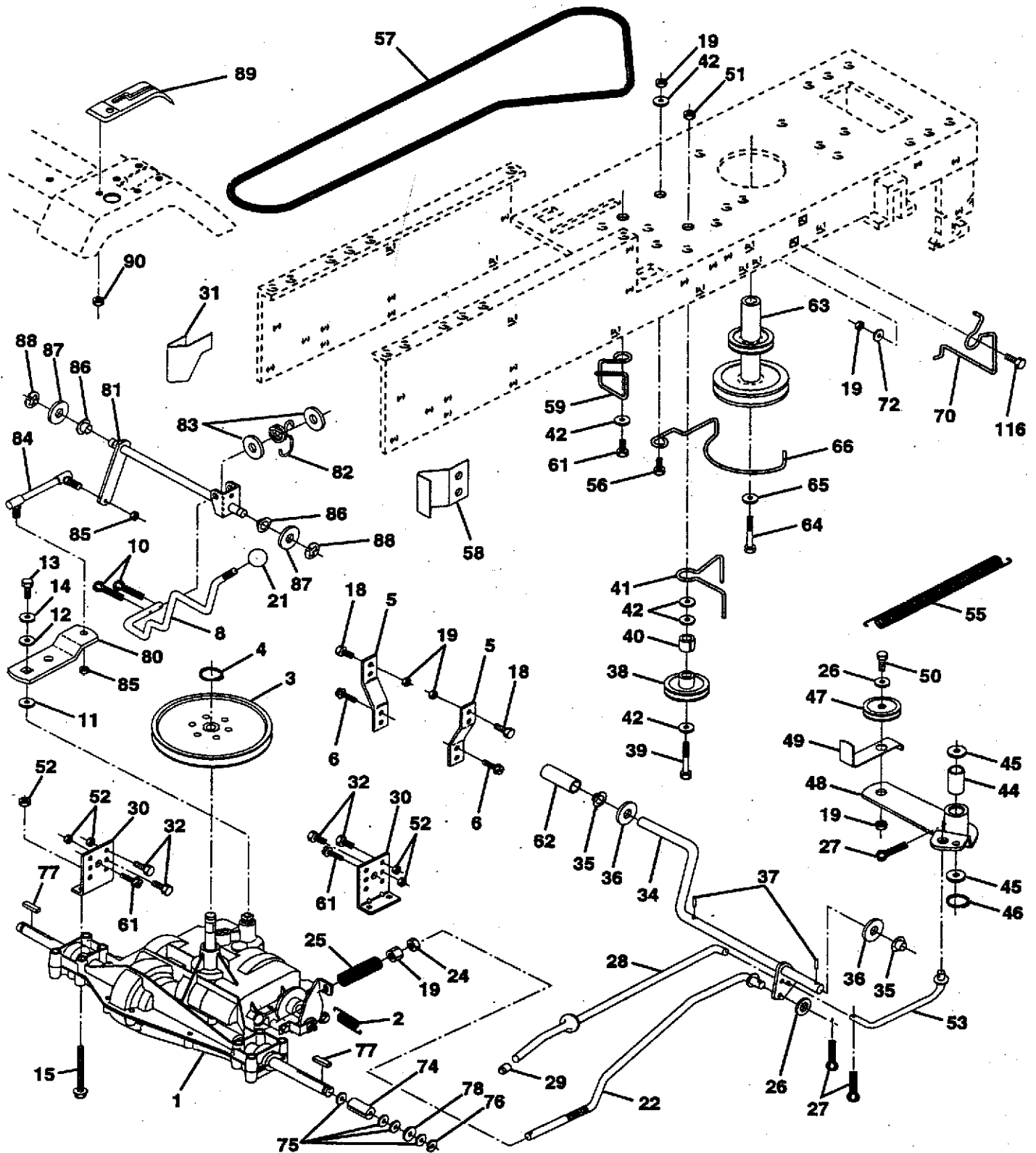
TRACTOR - MODEL NO. YT150 (HCYT150A) PRODUCT NO. 954 84 00-21

CHASSIS AND ENCLOSURES

KEY NO.	PART NO.	DESCRIPTION
1	532145501	Chassis Weldment 11ga
2	532140356	Drawbar, Stretch
3	817490612	Screw Thdrol 3/8-16x3/4 Ty-tt
4	819131216	Washer 13/32 x 3/4 x 16 Ga.
6	532145206	Saddle LT Fender Shift
8	532126471	Clip Insulator .406 Mtg Hole
9	532151013	Dash Private Label
10	872140608	Bolt Carriage 3/8-16 x 1
11	532146958	Panel Pnt Dash Lh
12	532145660	Clip Tinnerman P/L
13	532146959	Panel Dash Rh
14	817490608	Screw Thdrol 3/8-16x1/2 Ty-tt
17	532149775	Hood Private Label LT Husq
20	532145210	Plate Pnt Mtg Btry/FL
23	532124028	Bushing
24	874780616	Bolt Fin Hex 3/8-16unc X 1 Gr. 5
25	819131312	Washer 13/32 X 13/16 X 12 Ga
26	873800600	Nut Lock Hex W/Ins 3/8-16 UNC
28	532149776	Grille Private Label/LT
29	532149777	Lens Grille Private Label
30	532143050	Fender Pnt
31	532139976	Bracket Pnt Support Fender
33	532147203	Footrest Pnt Lh
34	532147202	Footrest Pnt Rh
35	872110606	Bolt Rdhd Sht Sqnk 3/8-16 X3/4
37	817490508	Screw Thdrol 5/16-18 X 1/2
38	532139886	Bracket, Asm. Pivot, L.H., Mower Rear
39	532139887	Bracket, Asm. Pivot, R.H., Mower Rear
40	532139977	Spacer Fender Lt
41	532139978	Plate Extension Fender Lt
48	532138096	Rivet Push Plate D Plastic Blk
49	817490412	Screw Hexwsh. Thdrol 1/4-20 x 3/4
50	532142779	Brace
51	873800400	Nut Lock Hex W/Ins 1/4-20
52	819091416	Washer 9/32 x 7/8 x 16 Ga.
53	532150067	Bracket Pnt. Pick Off LT/PL Husq
57	874780412	Screw Hex 1/4-20 x 3/4
58	532150127	Air Duct P/L
60	872140606	Bolt Carriage 3/8-16 x 3/4
61	819171416	Washer 17/32 x 7/8 x 16 Ga.
129	819091016	Washer 9/32 x 5/8 x 16 Ga.
134	532150132	Rod Support Hood LT/PL Husq.
--	532005479	Plug Button
--	532134014	Plug, Dome Black

NOTE: All component dimensions given in U.S. inches.
 1 inch = 25.4 mm

DRIVE

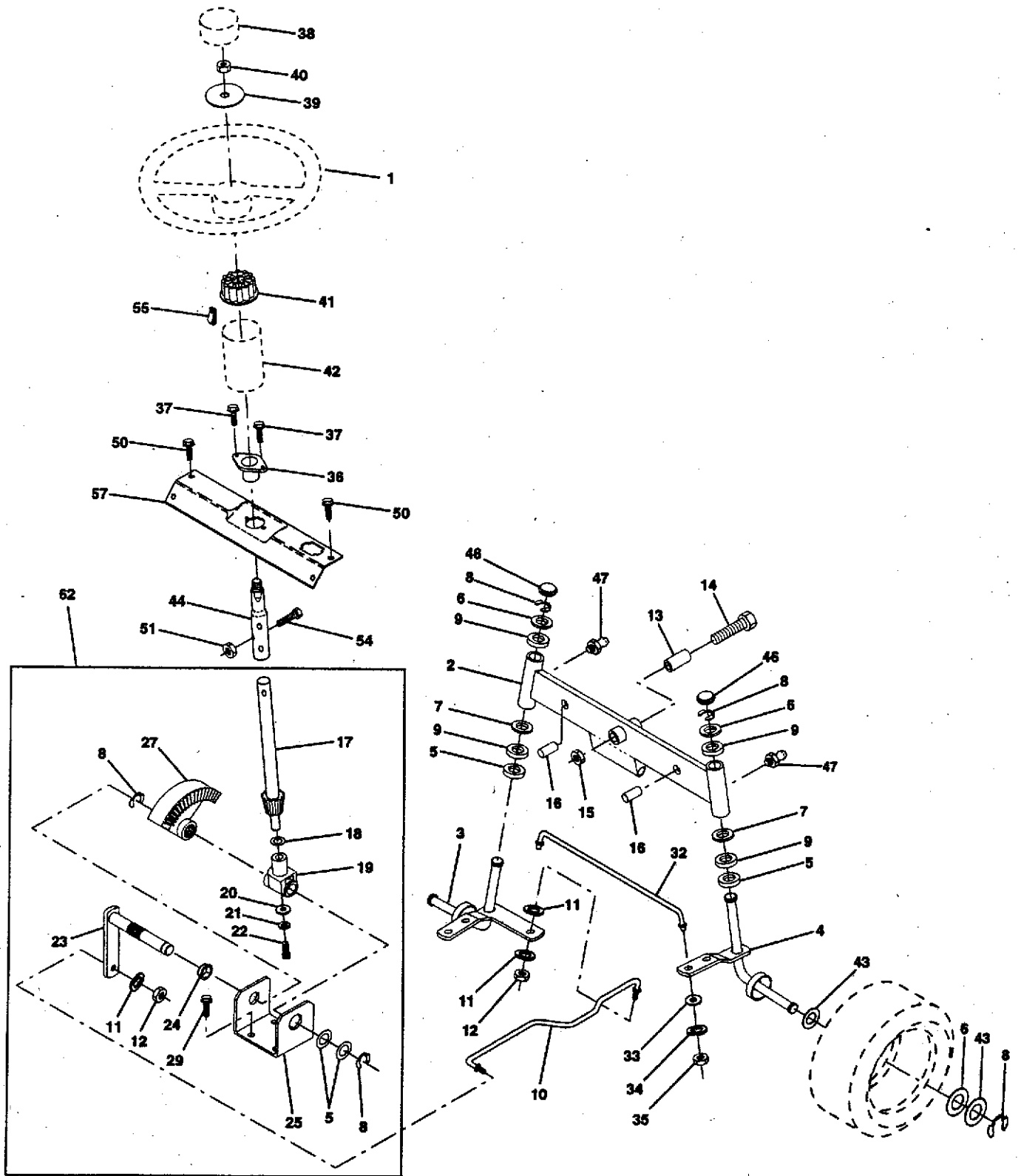


TRACTOR - MODEL NO. YT150 (HCYT150A) PRODUCT NO. 954 84 00-21

DRIVE

KEY PART NO. NO.	DESCRIPTION	KEY PART NO. NO.	DESCRIPTION
1 532145605	Transaxle 6sp Dana 4360-96	46 812000039	Ring Klip #15304-50
2 532146682	Spring Return Brake T/a Zinc	47 532127783	Pulley Idler V Groove Plastic
3 532123666	Pulley Transaxle 18"tires	48 532123789	Bellcrank Asm Clutch
4 812000028	Ring Retainer # 5100-62	49 532123205	Retainer Belt Style Spring
5 532121520	Strap Torque 30 Degrees	50 874760624	Bolt Hex Hd 3/8-16unc X 1-1/2
6 817490512	Screw Thdrol 5/16-18 X 3/4 TYT	51 873680600	Nut Crownlock 3/8-16 Unc
8 532141003	Rod Shifter	52 873680500	Nut Crownlock 5/16-18 Unc
10 876020416	Pin Cotter 1/8 X 1 Cad	53 532105710	Link Clutch 7 66
11 532105701	Washer Plate Shf 388 Sq Hole	55 532105709	Spring Return Clutch 6 75
12 819151216	Washer 15/32 X 3/4 X 16 Ga	56 874760620	Bolt Fin Hx 3/8-16 X 1/4
13 874550412	Bolt 1/4-28 Unf Gr 8 W/Patch	57 532130801	V-Belt Ground Drive 95 25 42*
14 810040400	Washer Lock Hvy Helical 1/4	58 532127274	Keeper Belt RH LT Pnt/zinc 16g
15 874490544	Bolt Hex 5/16-18FLGHD Gr. 5	59 532140312	Keeper Belt Span Ctr
18 874780616	Bolt Fin Hex 3/8-16unc X 1 Gr. 5	61 817490612	Screw Thdrol 3/8-16x3/4 Ty-tt
19 873800600	Nut Lock 3/8-16 Unc	62 532124872	Cover Pedal Blk Round
21 532121274	Knob Duckhead1/2-13 Plstc Thds Blk	63 532140186	Engine Pulley LT/YT
22 532130804	Rod Brake Blk Zinc 26 840	64 871170764	Bolt Hex 7/16-20 x 4 Gr. 5
24 873350600	Nut Hex Jam 3/8-16 Unc	65 810040700	Washer Lock Hvy Hlcl Spr 7/16
25 532106888	Spring Rod Brake 2 00 Zinc	66 532129921	Keeper Belt Engine LH LT
26 819131316	Washer 13/32 X 13/16 X 16 Ga	70 532134683	Guide Belt Mower Drive RH
27 876020412	Pin Cotter 1/8 X 3/4 Cad	72 819132012	Washer 13/32 X 1-1/4 X 12 Ga
28 532145204	Rod Brake Parking LT/YT	74 532109502	Spacer Split
29 532071673	Cap Brake Parking Black	75 532121749	Washer 25/32 X 1 1/4 X 16 Ga
30 532130807	Bracket Mtg Transaxle	76 812000001	E-ring #5133-75
31 532127275	Keeper Belt LH LT 14 Ga	77 532123583	Key Square 2 0 X 1845/ 1865
32 874760512	Bolt Hex Hd 5/16-18unc X 3/4	78 532121748	Washer 25/32 X 1-5/8 X 16 Ga
34 532149001	Shaft Asm Pedal Foot	80 532131487	Arm Shift Transaxle
35 532120183	Bearing Nylon Blk 629 Id	81 532136933	Shaft Asm Cross 20"t 42"deck
36 819211616	Washer 21/32 X 1 X 16 Ga	82 532123782	Spring Torsion T/a
37 532124963	Pin Roll 3/16 X 1"	83 819171216	Washer 17/32 X 3/4 X 16 Ga
38 532123674	Pulley Idler Flat	84 532132183	Rod Shift Adj Tie
39 874760644	Bolt Fin Hex 3/8-16unc X 2-3/4	85 532150360	Nut, Centelock 1/4 - 28
40 532124965	Spacer Split 395 X 59 Bzp	86 532071208	Bushing Rod Strg 629/632 Id
41 532109070	Keeper Belt Retainer	87 819212016	Washer 21/32 X 1-1/4 X 16 Ga
42 819131312	Washer 13/32 X 13/16 X 12 Ga	88 812000008	Ring Klip #5304-62
44 532105706	Bearing Nyl 503 X 628 X 1 25	89 532139964	Console Shift 6sp LT
45 532110812	Washer Hardened	90 532124346	Nut Self-thd Wsh-hd 1/4 Zinc

NOTE: All component dimensions given in U.S. inches
 1 inch = 25.4 mm



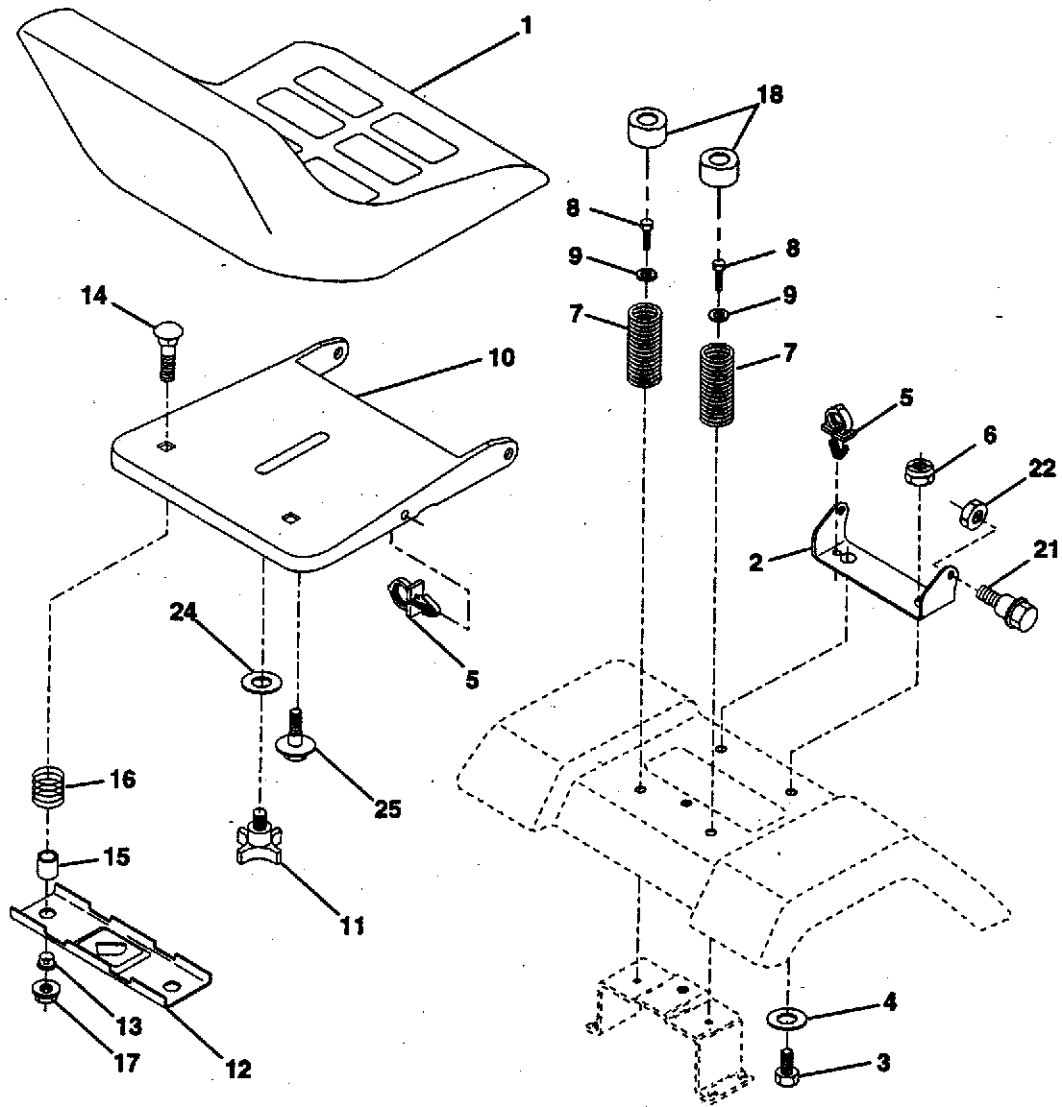
TRACTOR - MODEL NO. YT150 (HCYT150A) PRODUCT NO. 954 84 00-21

STEERING ASSEMBLY

KEY NO.	PART NO.	DESCRIPTION
1	532124415	Wheel Steering Auto Grey
2	532142033	Axle Asm Fr LT W/gzks 38/42
3	532135227	Spindle Asm LH
4	532135228	Spindle Asm RH
5	532124931	Bearing Race Thrust Harden
6	532121748	Washer 25/32 X 1-5/8 X 16 Ga
7	819272016	Washer 27/32 X 1-1/4 X 16 Ga
8	812000029	Ring Klip #t5304-75
9	532124937	Bearing Col Strg Blk
10	532130468	Link Drag Sol Ball Jt 20 064
11	810040600	Washer Lock Hvy Hlcl Spr 3/8
12	873610600	Nut Fin Hex 3/8-24 Unf
13	532110438	Spacer Bearing Axle Front
14	874011056	Bolt Hex 5/8-11 Unc X 3-1/2
15	873901000	Nut Lock Flange 5/8-11 Unc
16	532132624	Pin Axle 5/8 X 1 55/1 54 Lg
17	532140176	Shaft Asm Strg Private Label
18	532057079	Washer Thrust 515x 750x 033
19	532124035	Support Shaft
20	532126684	Washer Shim 1/4 X 5/8 X 062
21	810040400	Washer Lock Hvy Helical 1/4
22	871070410	Screw Hex Socket 1/4-20 X 5/8
23	532127501	Shaft Asm Pittman
24	532109816	Nyliner Snap In
25	532124036	Bracket Steering
27	532136874	Gear Sector
29	817490612	Screw Thdrol 3/8-16x3/4 Ty-tt
32	532139929	Rod Tie BJ Solid 19 75 Mech
33	819111216	Washer 11/32 x 3/4 x 16 Ga.
34	810040500	Washer Lock Hvy Hlcl Spr 5/16 Ga
35	873810500	Locknut 5/16-24 UNF
36	532102803	Bushing Strg
37	817491008	Screw Siftp #10-16 X 1/2 Ty-b
38	532124416	Insert Cap Strg Wh Au
39	819133808	Washer 13/32 X 2-3/8 X 8 Ga
40	532124701	Nut Lock Center 3/8-24unf
41	532104820	Adaptor Wheel Strg 640/ 635id
42	532150390	Boot Steering Shaft
43	532121749	Washer 25/32 X 1 1/4 X 16 Ga
44	532146690	Shaft Extention Steering
46	532121232	Cap Spindle Fr Top Blk
47	532124836	Fitting Grease
50	817490412	Screw Hex Wsh Thdrol 1/4-20 x 3/4
51	873800500	Nut Lock Hex w/Ins 5/16-18
54	874780520	Bolt Fin Hex 5/16-18 Unc x 1-1/4
55	532140285	Clip Tinnerman
57	532140172	Support Shaft Steering
62	532149686	Kit Steering, Asm. Service

NOTE: All component dimensions given in U.S. inches.
 1 inch = 25.4 mm.

SEAT ASSEMBLY



**KEY PART
NO. NO.**

DESCRIPTION

1	532124185	Seat V450 Grey/blk Std
2	532140551	Bracket Pivot Seat 8 720
3	874760616	Bolt Fin Hex 3/8-16unc X 1
4	819131610	Washer 13/32 X 1 X 10 Ga
5	532145006	Clip Push-In
6	873800600	Nut Lock 3/8-16 Unc
7	532124181	Spring Seat Cprsn 2 250 Blk Zi
8	817490616	Screw Thdrol 3/8-16 X 1 Ty-tt
9	819131614	Washer 13/32 X 1 X 14 Ga.
10	532140552	Pan Seat
11	532120068	Knob Seat 1/2-13 UNC Blk

**KEY PART
NO. NO.**

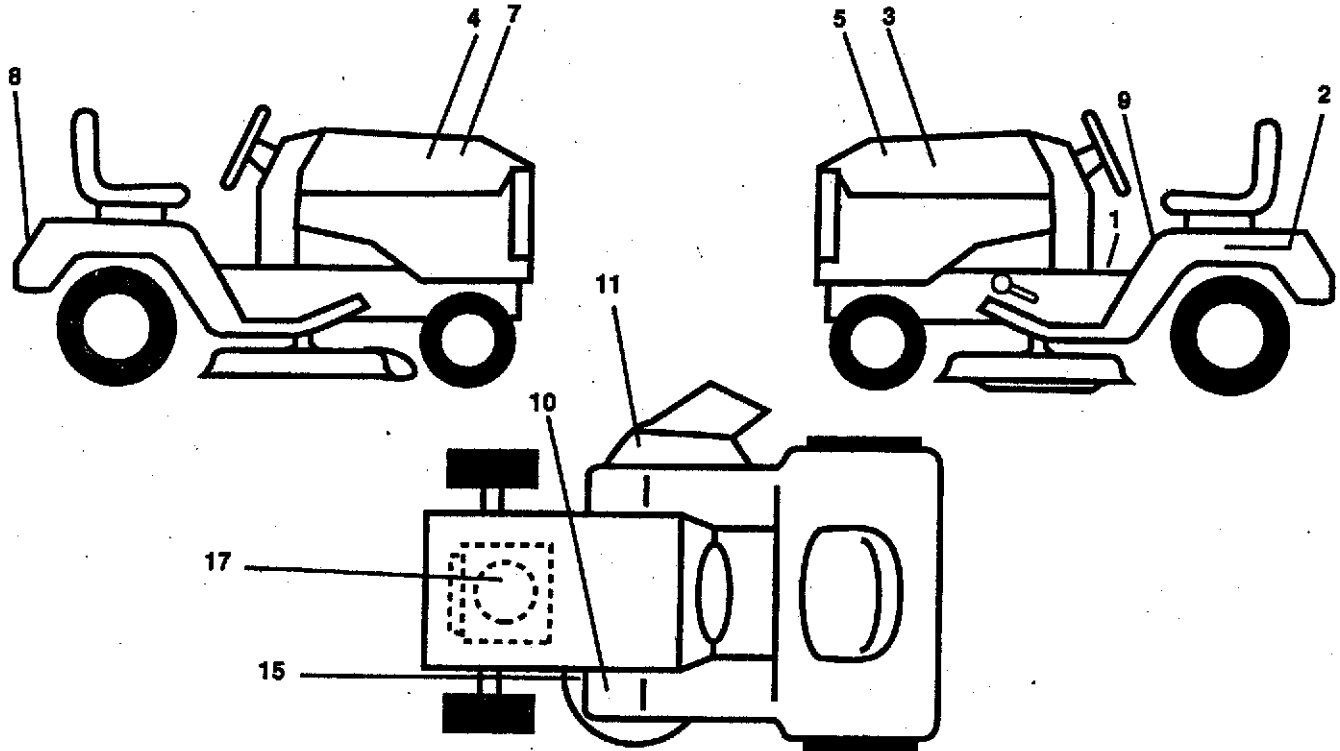
DESCRIPTION

12	532121246	Bracket Mounting Switch
13	532121248	Bushing Snap Blk Nyl 50 Id
14	872050411	Bolt Rdhd Sht Nk 1/4-20x1-3/8
15	532134300	Spacer Split 28x 96 Yel Zinc
16	532121250	Spring Cprsn 1 27 Blk Pnt
17	532123976	Nut Lock 1/4 Lge Fig Gr 5 Zinc
18	532124238	Cap Spring Seat
21	532139888	Bolt Shoulder 5/16-18 Unc Blkz
22	873800500	Nut Hex Lock W/Ins 5/16-18
24	819171912	Washer 17/32 X 1-3/16 X 12 Ga.
25	532127018	Bolt Shoulder 5/16-18 X 62

NOTE: All component dimensions given in U.S. inches.
 1 inch = 25.4 mm

TRACTOR - MODEL NO. YT150 (HCYT150A) PRODUCT NO. 954 84 00-21

DECALS



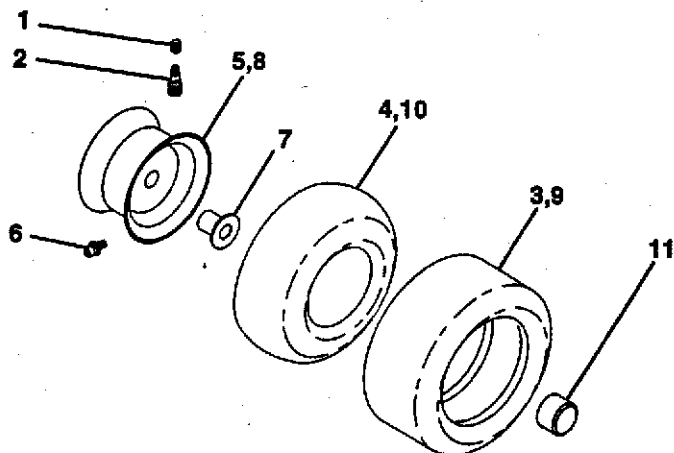
KEY NO.	PART NO.	DESCRIPTION
1	532140820	Decal Instruction Dash Eng/fr
2	532121549	Decal Caution Battery Fr/ger
3	532151549	Decal Hood LH
4	532151548	Decal Hood RH
5	532143959	Decal Ins Hd LH
7	532143958	Decal Ins Hd RH
8	532150617	Decal Fender Husq
9	532133795	Decal Caution Fender Eng/fr
10	532101892	Decal Clutch/brake Eng/fr
11	532137259	Decal Warning Multi-Language
15	532136832	Decal V-Belt Schematic
17	532273216	Decal B & S 15.5 Diamond Engine

KEY NO.	PART NO.	DESCRIPTION
--	532138311	Decal Handle Lft Height Adjust
--	532145246	Pad Ftrest RBR SQ Generic 95
--	532145247	Fastner, Pop in Footrest (8 per)
--	532151553	Manual Owner's (English)
--	532151554	Manual Owner's (French)

Available accessories not included with tractor:

- LBD48 42" Snow Blade
- LSB42 40" Snow Thrower
- LC05 33lb. Wheel Wts. (Pair)
- LC06 Tire Chains (20 x 10 x 8)
- C42 Grass Catcher for 42"

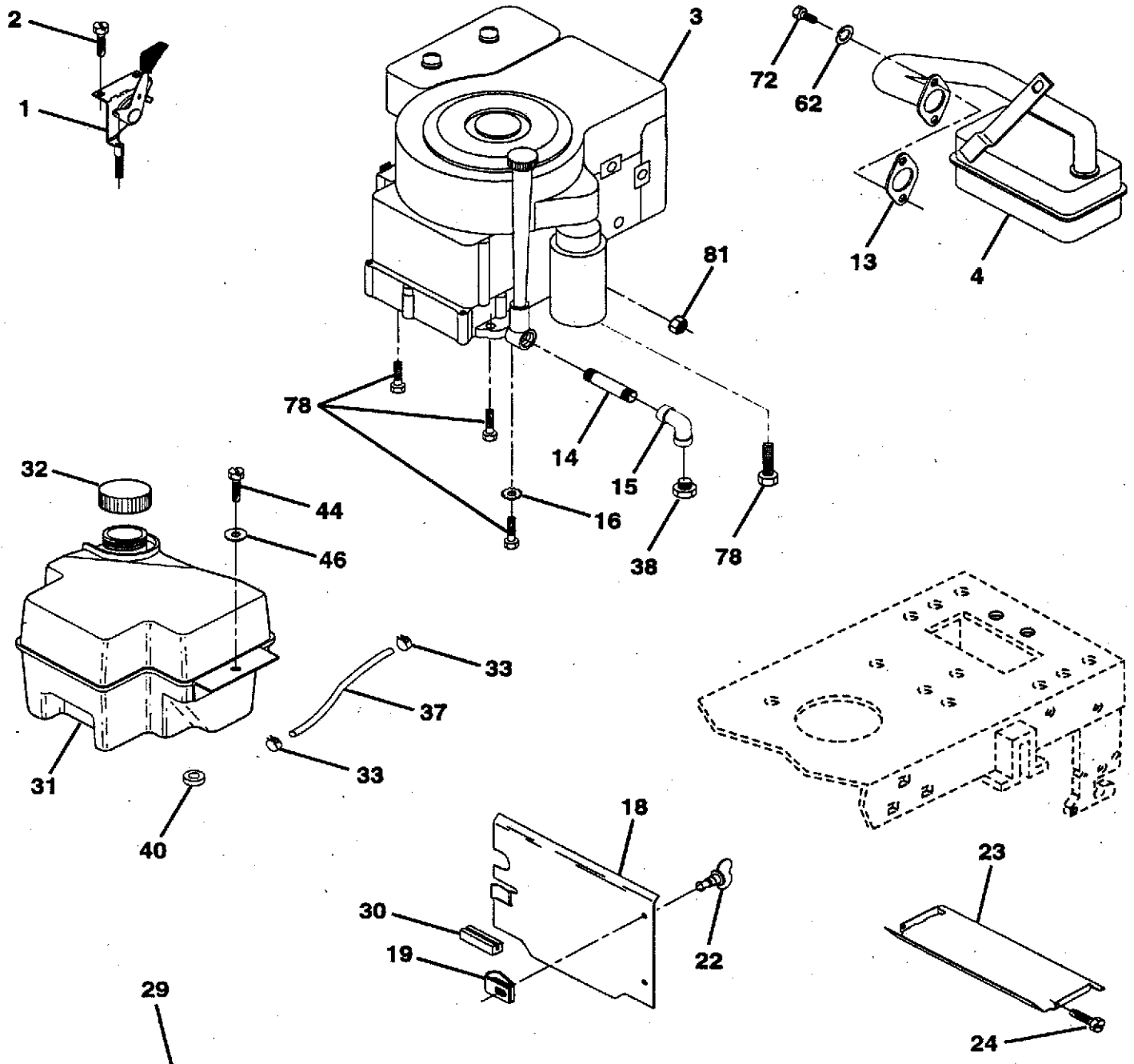
WHEELS & TIRES



KEY NO.	PART NO.	DESCRIPTION
1	532059192	Cap Valve Tire
2	532065139	Stem Valve
3	532106222	Tire F Ts 15 X 6 0 - 6 Service
4	532059904	Tube Front (Service Item Only)
5	532138336	Rim Asm 6"front Silver Service
6	532124957	Fitting Grease (Front Wheel Only)
7	532124959	Bearing Flange (Front Wheel Only)
8	532138337	Rim Asm 8"rear Silver Service
9	532122082	Tire R Ts 20-10 x 8 C Service
10	532124926	Tube Rear (Service Item Only)
11	532104757	Cap Axle Blk 1 50 X 1 00
--	532144334	Sealant, Tire (10 oz. Tube)

NOTE: All component dimensions given in U.S. inches
 1 inch = 25.4 mm

ENGINE



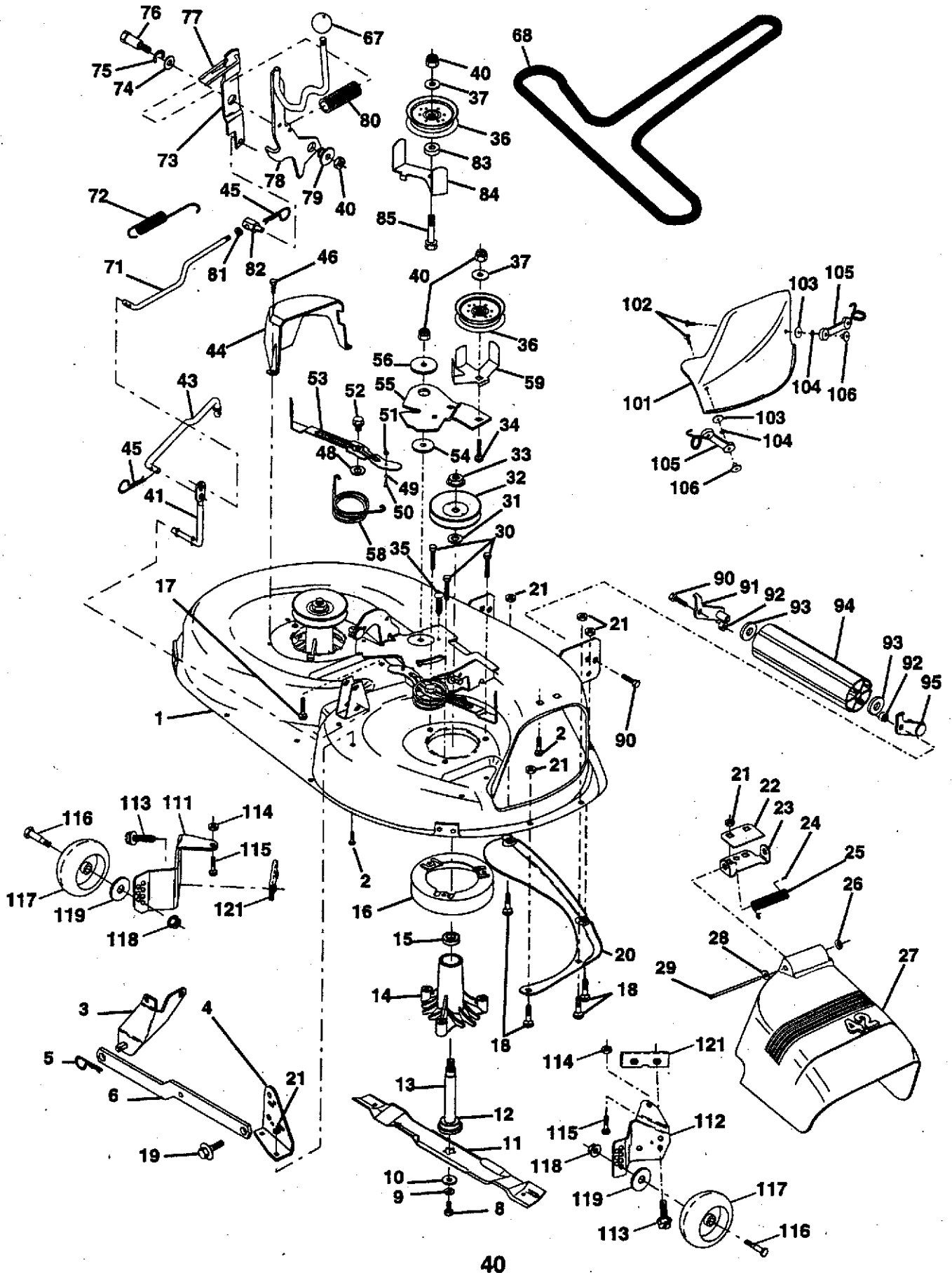
OPTIONAL EQUIPMENT
Spark Arrester

**TRACTOR - MODEL NO. YT150 (HCYT150A) PRODUCT NO. 954 84 00-21
 ENGINE**

KEY NO.	PART NO.	DESCRIPTION
1	532140310	Control Th/ch 23 LH Flag
2	817720410	Screw Hex Thd Cut 1/4-20x5/8 T
3	-----	Engine B&S 15.5 Model No. 28N707
4	532137352	Muffler LT B&S 14 HP IC OHV
13	532272293	Gaskt Eng 1.313 ID Tin Plated
14	813280324	Nipple Pipe 3/8 Npt X 3-1/2
15	813200300	Elbow Std 90 Degree 3/8-18 Npt
16	811050600	Washer Lock Ext Tooth 3/8
18	532136718	Shield Heat LT
19	532105839	Receptacle 1/4 Turn Dacrotized
20	532105838	Retainer 1/4 Turn .3650D x .2221D
21	819091016	Washer 9/32 x 5/8 x 16 Ga.
22	532123650	Stud 1/4 Turn
23	532128953	Shield Heat Browning LT/YT
24	817021008	Screw Tap Hex #10-24unc X 1/2
29	532137180	Kit Spark Arrestor (Flat Scm)
30	862489370	Pinchwelt Black
31	532140280	Tank Fuel Front 2 00
32	532140527	Cap Asm Fuel w/sym Vented
33	532123487	Clamp Hose Black
37	532137040	Line Fuel 20"
38	-----	Plug Oil Drain (Order From Engine Manufacturer)
40	532124028	Bushing Snap Nyl Blk Fuel Line
44	817490412	Screw Hexwsh Thdrol 1/4-20x3/4
46	819091416	Washer 9/32 X 7/8 X 16 Ga
62	810040500	Washer Lock Hvy Hlcl Spr 5/16
72	871070512	Screw Hex Hd Cap 5/16-18 x 3/4
78	817490620	Screw Thdrol. 3/8-16 x 1-1/4 Tytt
81	532128861	Nut Flange 1/4-20 Starter Nut

NOTE: All component dimensions given in U.S. inches
 1 inch = 25.4 mm

MOWER DECK



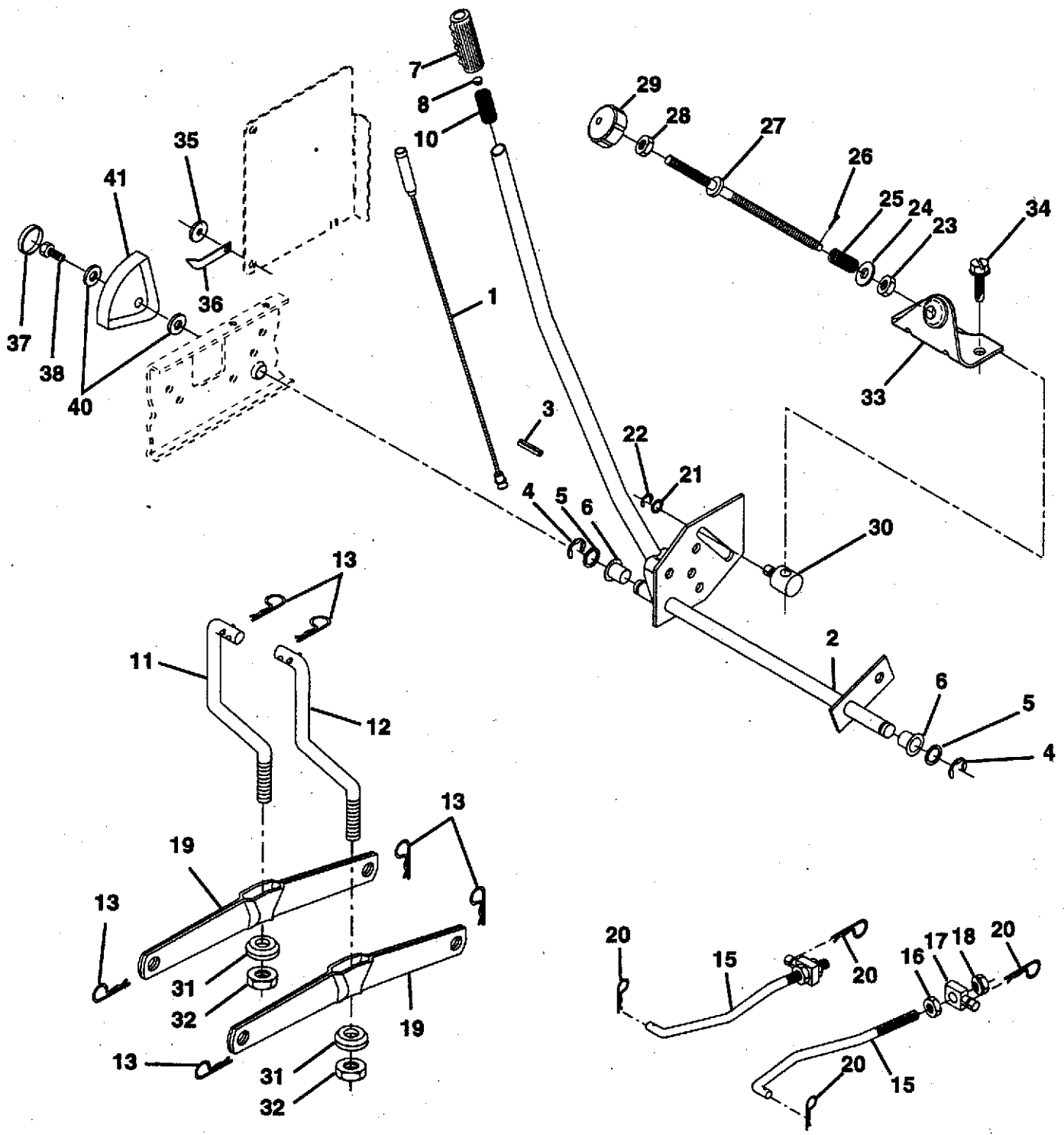
TRACTOR - MODEL NO. YT150 (HCYT150A) PRODUCT NO. 954 84 00-21

MOWER DECK

KEY NO.	PART NO.	DESCRIPTION	KEY NO.	PART NO.	DESCRIPTION
1	532144393	Mower Housing Asm MWR	56	532122052	Spacer Retainer Pm Mower
		42" weldment T-Path	58	532140086	Spring Torsion Brakes
2	872140506	Bolt Rdhd Sqnk 5/16-18unc X3/4	59	532141043	Guard TUV Idler
3	532138017	Bracket Asm Fr Sway Bar 38/42	67	532106933	Knob Rd 1/2-13 Plstc Thds Blk
4	532138440	Bracket Asm Deck 42" sway Bar	68	532144200	V-Belt Mower 42"
5	532124670	Retainer Spring	71	532142427	Rod Clutch Primary 38/42
6	532130832	Arm Suspension Rear	72	532131870	Spring Return
8	532850857	Bolt 3/8 - 24 X 1.25 Gr 8	73	532127847	Arm Clutch Secondary
9	810030600	Washer Lock Hvy 3/8	74	532121748	Washer 25/32 X 1-5/8 X 16 Ga
10	532140296	Washer Hard Blade Mower Vented	75	812000029	Ring Klip #t5304-75
11	532134149	Blade Mower Mulching 42"	76	532128903	Bolt Shoulder 3/8-16 Unc 1 44
12	532129895	Bearing Ball #6024 (Mandrel)	77	532127845	Keeper Spring 4 000
13	532137645	Shaft Asm W/lower Bearing	78	532140179	Arm Asm Clutch Primary
14	532128774	Housing Mandrel Vented	79	532127498	Bushing 747 Od X 794 Lg Brass
15	532110485	Bearing Ball Mandrel	80	532128759	Spring Clutch Mower 2 750 Zinc
16	532140329	Stripper Mower Vented	81	873350600	Nut Hex Jam 3/8-16
17	872110610	Bolt Rdhd Sqnk 3/8-16 X 1-1/4	82	532142028	Trunnion Adj 94
18	872140505	Bolt Rdhd Sqnk 5/16-18 X 5/8	83	532120958	Washer Sintered
19	532132827	Bolt Shoulder	84	532144394	Keeper Belt Idler Fixed
20	532136888	Baffle Vortex 42	85	872140618	Bolt RDHD 3/8-16 x 2-1/4 Gr.5
21	873680500	Nut Crownlock 5/16-18 UNC	90	874760616	Bolt Fin Hex 3/8-16 UNC x 1
22	532134753	Stiffener Bracket 42" deck	91	532132274	Bracket Asm Noseroller LH
23	532131267	Bracket Deflector Mower 42"	92	873800600	Nut Lock Hex W/Ins 3/8-16 Unc
24	532105304	Cap Sleeve 80x 112 Blk Mower	93	819171416	Washer 17/32 x 7/8 x 16 Ga.
25	532123713	Spring Torsion Deflector 2 52	94	532132264	Roller Nose 38 & 42
26	532110452	Nut Push Phos & Oil	95	532132273	Bracket Asm Noseroller RH
27	532130968	Shield Deflector Mower 42" Blk	101	532136420	Cover Mulching 42" Black
28	819111016	Washer 11/32 X 5/8 X 16 Ga	102	871161010	Screw
29	532131491	Rod Hinge 42" 6 75 Wlg	103	819061216	Washer #10
30	532138776	Screw Thdrol Hex Head Zinc Mwr	104	810071000	Washer Lock #10
31	532129963	Washer Spacer Mower Vented	105	532130758	Latch Asm Bagger
32	532129861	Pulley Mandrel 42"	106	532125004	Nut Weld
33	532137266	Nut 9/16 Toplock Fling Oil Dip	111	532140353	Bracket Wheel Gauge LH 42" Deck
34	872110614	Bolt Rdhd 3/8-16uncx1-3/4 Gr5	112	532132262	Bracket Gauge Wheel RH 42" Deck
35	532133835	Fastner Christmas Tree	113	817490512	Screw Thdrol 5/16-18 X 3/4
36	532131494	Pulley Idler Flat 3 060	114	873510500	Nut Keps 5/16-18 UNC
37	819131316	Washer 13/32 X 13/16 X 16	115	872110504	Bolt Carriage 5/16-UNC x 1/2
40	873680600	Nut Crownlock 3/8-16 UNC	116	532137644	Bolt Shoulder
41	532133551	Rod Pivot W/nibs	117	532133957	Wheel Gauge Donut
43	532140083	Rod Clutch Secondary W/nibs	118	873930600	Nut Centerlock 3/8-16 UNC
44	532140088	Guard Mandrel LH Black	119	819121414	Washer 3/8 x 7/8 x 14 Ga.
45	532124788	Spring Retainer 1" Zinc/cad	120	819171512	Washer 17/32 x 15/16 x 12 Ga.
46	532137729	Screw Hex Thd Cut 1/4-20x5/8 T	121	532143723	Bracket Extruded Gauge Wheel
48	532133944	Washer Hardened Smaller	--	532130794	Mandrel Asm Service (Includes Key
49	532133940	Roller Asm Cam Follower 42" dec			Nos. 8-10, 12-15, 31 and 33)
50	532131340	Bolt Shldr 10-24 Zinc Gr 5 42"	--	532145411	Deck Serv 42" mch S Bar Mult-Lang
51	532069180	Nut Lock #10-24 Unc			(Standard Deck - Order noseroller,
52	532139888	Bolt Shoulder 5/16-18 Unc Blkz			mulch cover and gauge wheel
53	532131845	Arm Asm Pad Brake			components separately Key Nos.
54	532133943	Washer Hardened			90-95, 101-106 and 111-120)
55	532140084	Arm Idler 42" mower LT/YT			

NOTE: All component dimensions given in U.S. inches
 1 inch = 25.4 mm

MOWER LIFT



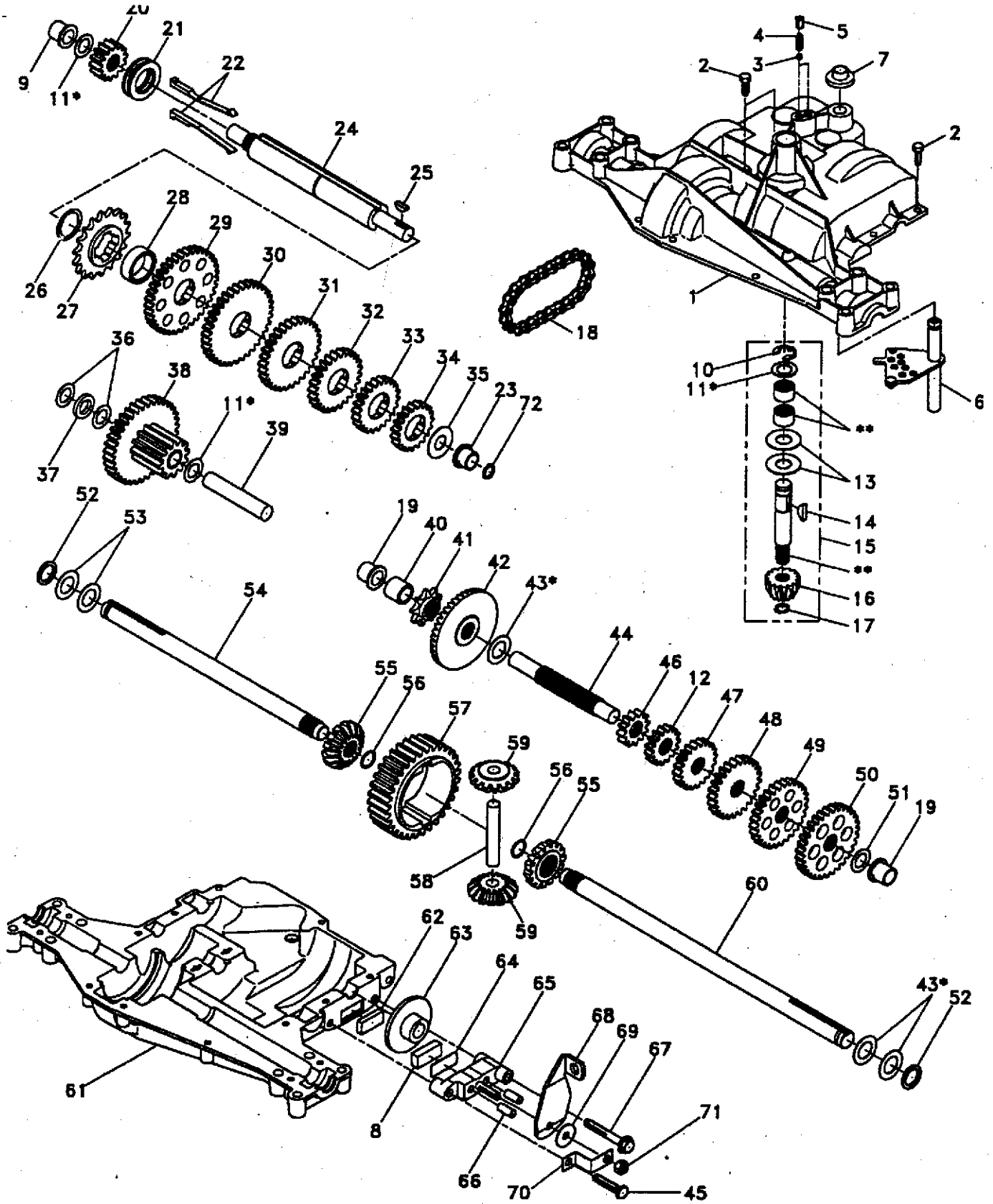
TRACTOR - MODEL NO. YT150 (HCYT150A) PRODUCT NO. 954 84 00-21

MOWER LIFT

KEY NO.	PART NO.	DESCRIPTION
1	532136973	Wire Asm Inner W/plunger 17 32
2	532150588	Handle Asm Lift LH Inf Hgt P/L
3	532138284	Pin Groove 1 500 Zinc
4	812000002	E Ring #5133-62
5	819211621	Washer 21/32 X 1 X 21 Ga
6	532120183	Bearing Nylon Blk 629 Id
7	532109413	Grip Handle Bicycle Matte Blk
8	532124526	Button Plunger Black
10	532122512	Spring Cprsn 3 750 Oiled
11	532139865	Link Lift LH
12	532139866	Link Lift RH
13	532124670	Retainer Spring
15	532127218	Link Front
16	873350800	Nut Jam Hex 1/2-13 Unc
17	532130171	Trunnion Blk Zinc
18	873800800	Nut Lock W/wsh 1/2-13unc
19	532139868	Arm Suspension Rear
20	532124660	Retainer Spring
21	819151216	Washer 15/32 X 3/4 X 16 Ga
22	812000037	Ring Klip #5304-37
23	532110807	Nut Special
24	819131016	Washer 13/32 X 5/8 X 16 Ga
25	532124874	Spring 2-1/8"
26	876020308	Pin Cotter 3/32 X 1/2
27	532126971	Rod Adj Lift Zinc 7 49 Wrk Lg
28	873350600	Nut Hex Jam 3/8-16 Unc
29	532138057	Knob Inf 3/8-16 Unc Blk W/sym
30	532110810	Trunnion Dp Stop Dbl Thds PLT
31	532140302	Bearing pvt. Lift SphencaI
32	873540600	Nut Crownlock 3/8-24
33	532140168	Bracket Stop Inf Hgt
34	817490608	Screw Thdtol 3/8-16 x 1/2 Ty-tt
35	532120529	Washer Nylon .44 x .75 x 032
36	532138346	Pointer pnt height ind.
37	532123935	Plug hole Blk 1.485/1.515 Dia
38	817490512	Screw ThdroI 5/16-18 X 3/4
40	819112410	Washer 11/32 x 1-1/2 10 Ga
41	532123934	Scale ind. Hieght Black

NOTE: All component dimensions given in U.S. inches
1 inch = 25.4 mm

DANA TRANSAXLE - MODEL NUMBER 4360-96



TRACTOR - MODEL NO. YT150 (HCYT150A) PRODUCT NO. 954 84 00-21

DANA TRANSAXLE - MODEL NUMBER 4360-96

KEY PART NO. NO.	DESCRIPTION	KEY PART NO. NO.	DESCRIPTION
1	132671 Housing, Upper	39	124639X Shaft, Idler
2	2274J Screw, Tapping, Large 1/4-20 x .734	40	120472X Spacer .633 x .87 x .755
3	134400 Ball, Detent	41	105928X Sprocket, 9 Teeth
4	105904X Spring, Detent	42	106605X Gear, Bevel, 42 Teeth
5	105905X Screw, Set	43	134394 Assembly, Kit, Shim, .750 Shaft
6	138235 Kit, Shifter Assembly	44	120473X Shaft, Drive
7	134399 Boot, Shifter	45	106596X Screw, Tapping, Large 5/16-18 x 1.44
8	120951X Puck, Friction	46	142678 Gear, Spur, 12 Teeth
9	148266 Bearing, Flange	47	120407X Gear, Spur, 20 Teeth
10	2225J Ring, Retaining	48	106589X Gear, Spur, 25 Teeth
11	134793 Assembly, Kit, Shim, .625 Shaft	49	120408X Gear, Spur, 28 Teeth
12	143679 Gear, Spur, 15 Teeth	50	105937X Gear, Spur, 31 Teeth
13	120415X Washer, Plain .632 x 1.38 x .046	51	2226J Washer, Plain .632 x 1.00 x .060
14	142674 Key, Woodruff, #9	52	134401 Washer, Neoprene
15	106846X Assembly, Kit, Input Shaft	53	2264J Washer, Plain .758 x 1.25 x .031
16	106095X Pinion, Bevel, 14 Teeth	54	120474X Axle, L.H.
17	105909X Ring, Retaining	55	110081X Gear, Miter, 15 Teeth
18	105910X Chain, 24 Pitches	56	105941X Ring, Retaining
19	105911X Bearing, Flange	57	110071X Gear, Spur, 32 Teeth
20	142675 Gear, Spur, 14 Teeth	58	120952X Shaft, Cross
21	148267 Collar, Clutch	59	110082X Gear, Miter, 15 Teeth
22	138237 Assembly, Kit, Clutch Keys	60	120475X Axle, R.H.
23	148268 Bearing, Flange	61	142680 Housing, Lower
24	142676 Shaft, Intermediate	62	120961X Puck, Friction
25	2244J Key, Woodruff, #61	63	7294J Disc, Brake
26	105916X Ring, Retaining	64	108989X Spacer
27	120470X Sprocket, 18 Teeth	65	120953X Jaw, Brake
28	110070X Spacer	66	120954X Pin, Dowel
29	142677 Gear, Spur, 37 Teeth	67	134799 Screw, Tapping 5/16-18 x 2.25
30	142681 Gear, Spur, 35 Teeth	68	138244 Lever, Actuating
31	124644X Gear, Spur, 30 Teeth	69	108996X Washer, Plain .321 x 1.00 x .055
32	108980X Gear, Spur, 25 Teeth	70	120956X Bracket, Anti-Rotation
33	120406X Gear, Spur, 22 Teeth	71	73810500 Locknut 5/16-24
34	134796 Gear, Spur, 19 Teeth	72	148269 Seal, Oil
35	105925X Washer, Plain .640 x 1.37 x .061	73	120416X Grease
36	2232J Washer, Plain .632 x 1.00 x .026		
37	108978X Spacer .630 x 1.00 x .169		
38	110079X Assembly, Gear, Combination, 12 Teeth and 35 Teeth		

NOTE: All component dimensions given in U.S. inches
 1 inch = 25.4 mm