

For Husqvarna Parts Call 606 678 9623 or

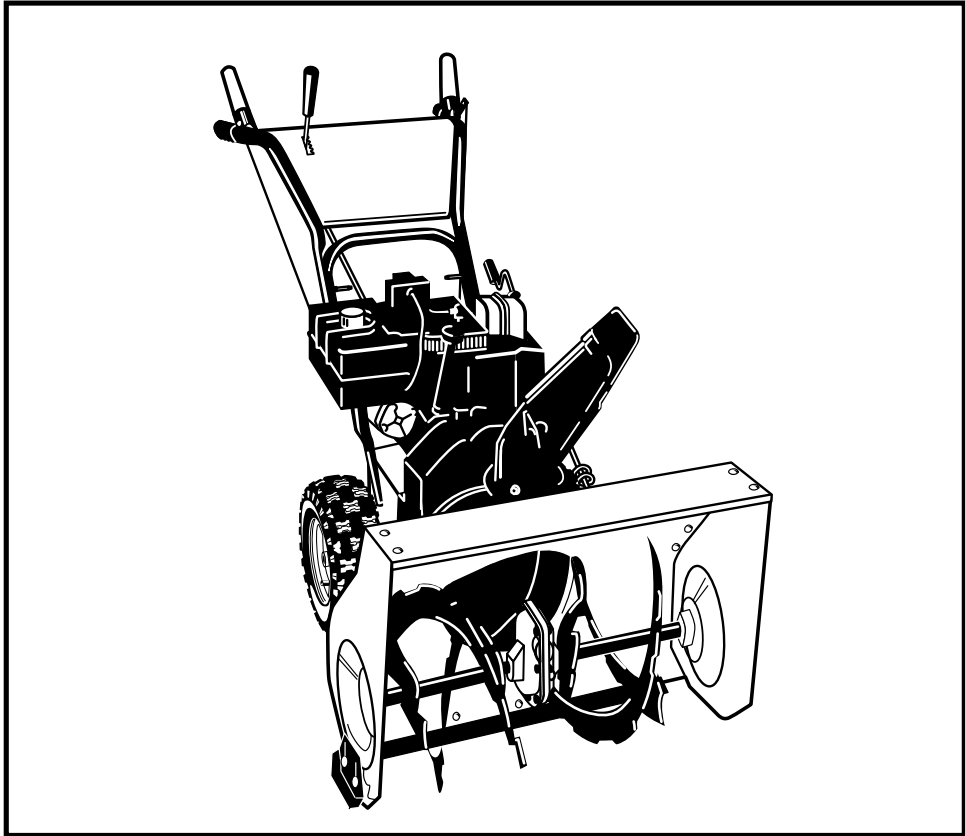


Husqvarna



13

ST724



1.1997

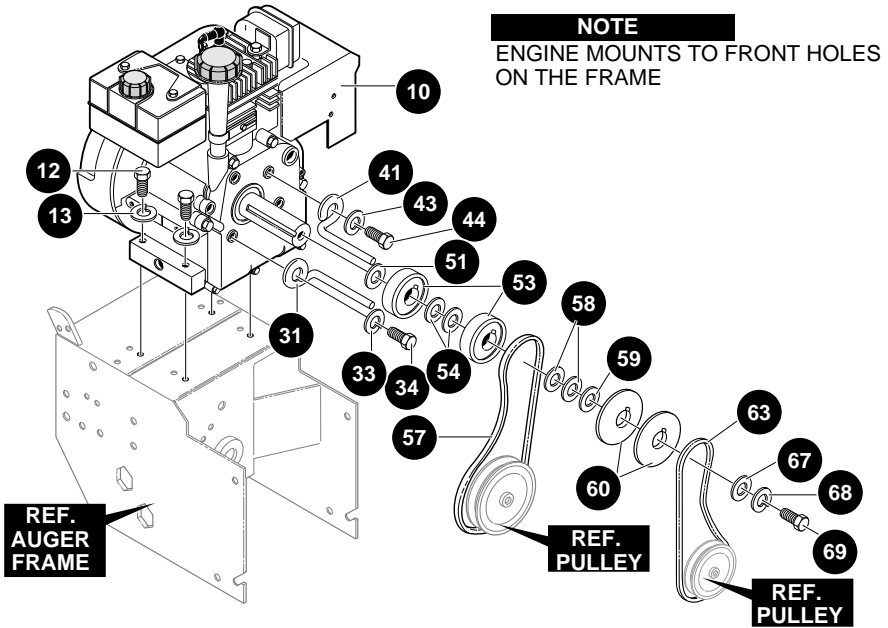
Illustrated Parts List

Owner's Manual 601 00 20 22
Reference No. 760051 08/13/96

www.mymowerparts.com

For Husqvarna Parts, Call 606-678-9623 or 24 HOUR TOLL FREE MODEL STY 24 606-561-4983

ENGINE ASSEMBLY



NOTE
ENGINE MOUNTS TO FRONT HOLES
ON THE FRAME

REF NO.	PART NO.	PART NAME
10	-	ENGINE, 7 HP (See Engine Manual)
12	601 00 00-73	SCREW, 5/16-18X.75
13	601 00 00-23	WASHER, .328X.60X.09
31	601 00 14-32	GUIDE, ROD BELT RH
33	601 00 00-23	WASHER, .328X.60X.09
34	601 00 14-33	SCREW, 5/16-24X .625HHC
41	601 00 14-32	GUIDE, ROD BELT RH
43	601 00 00-23	WASHER, .328X.60X.09
44	601 00 14-33	SCREW, 5/16-24X .625HHC
51	601 00 14-34	WASHER, CRANKSHAFT
53	601 00 14-36	PULLEY, HALF
54	601 00 14-35	FLATWASHER .752X .91X.02
57	601 00 14-37	BELT, V 3L 33.13LG
58	601 00 14-38	FLATWASHER .765X1.12X.06
59	601 00 20-20	SPACER, SLEEVE
60	601 00 20-21	PULLEY, ENGINE
63	601 00 17-37	BELT, V 4L 36.6
67	601 00 14-41	WASHER, FLAT
68	601 00 00-15	WASHER, .393X.68X.10
69	601 00 05-27	SCREW, 3/8-24X1.00
	601 00 20-22	OWNER'S MANUAL

336247 B

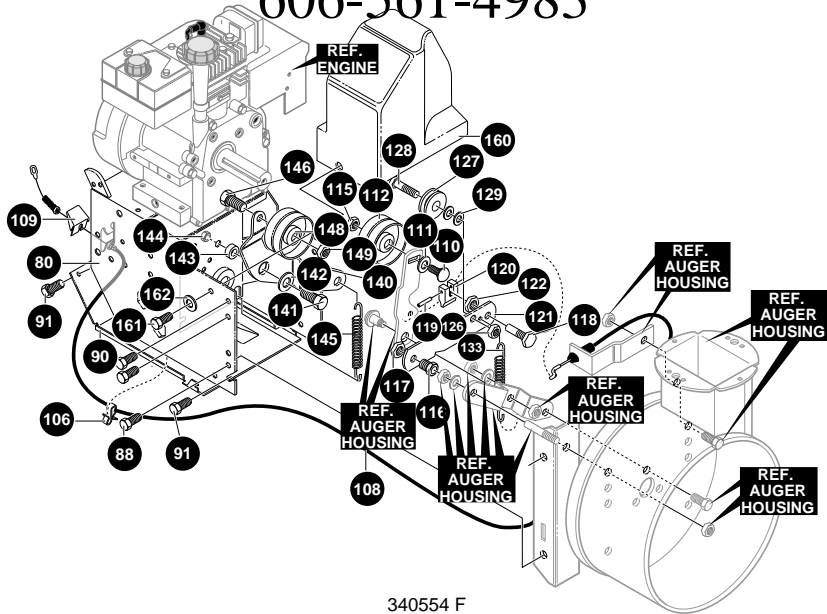
Note: Always use original equipment parts. Use of service/replacement parts other than original parts may void your warranty.

All unnumbered items are interchangeable with opposite side.

www.mymowerparts.com

FRAME COMPONENTS ASSEMBLY

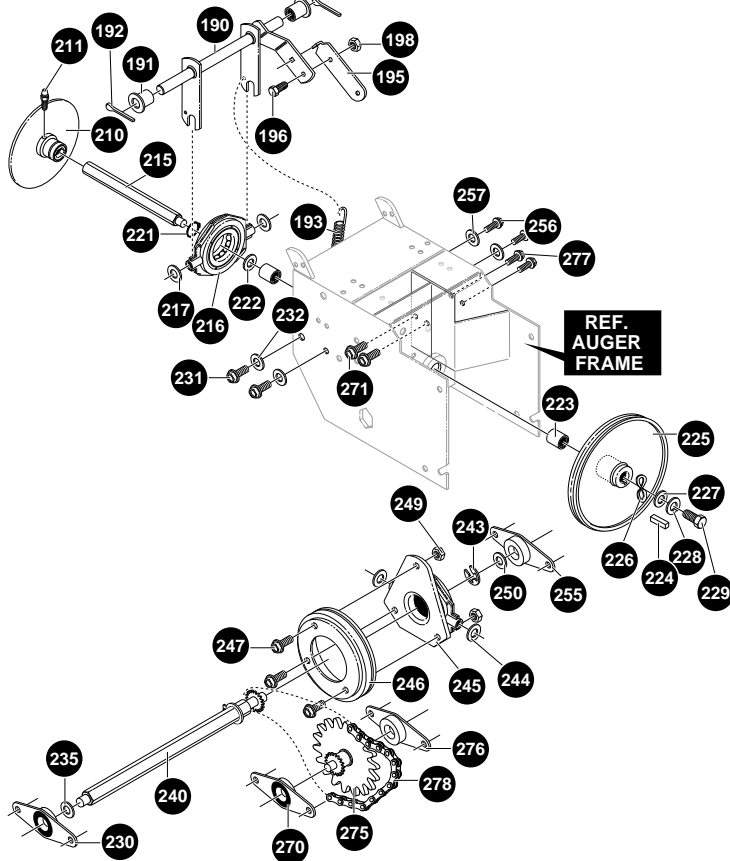
606-561-4983



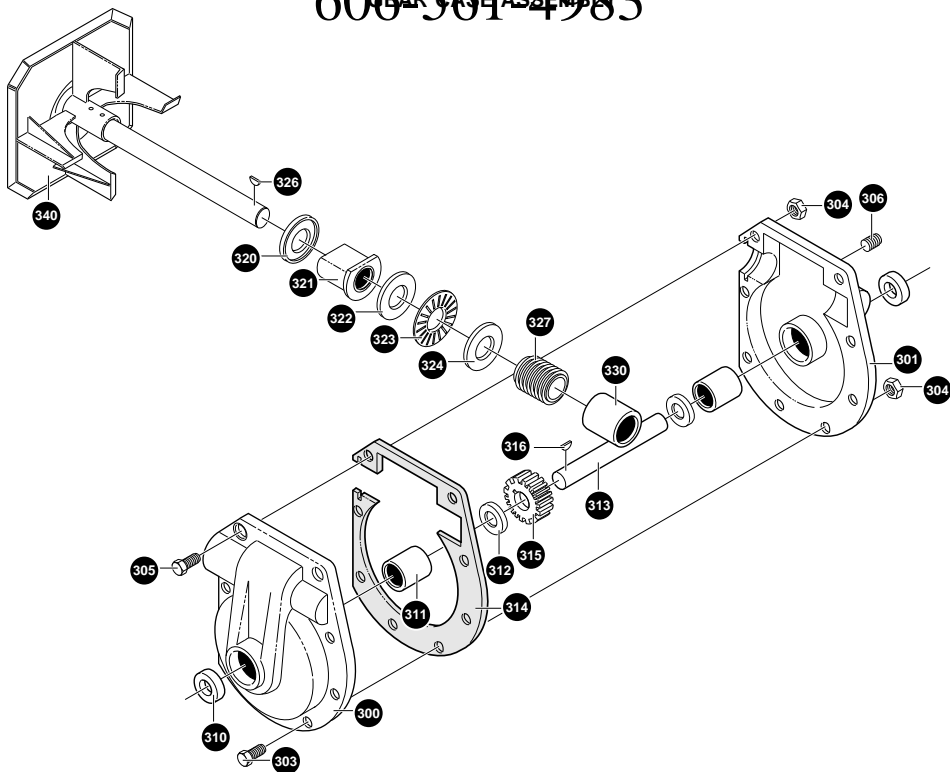
340554 F

REF NO.	PART NO.	PART NAME
80	601 00 20- 23	FRAME, ASSY
88	601 00 05 -19	SCREW, 5/16-18X .50
90	601 00 17 -39	COVER, BOTTOM
91	601 00 14 -45	SCREW, 1/4-20X .63
100	601 00 20 -24	PLATE, CLUTCH
106	601 00 20 -27	CLIP, CABLE TINN
108	601 00 20 -29	CABLE, AUGER
109	601 00 20 -30	SHIELD, CABLE GUARD
110	601 00 15 -98	C. BOLT, 3/8-16X1.25
111	601 00 06- 71	FLATWASHER
112	601 00 14 -54	PULLEY, IDLER
115	601 00 13 -35	NUT, 3/8-16
116	601 00 16 -02	BOLT, BRAKE ARM
117	601 00 16 -01	NUT, 9/16-18 JAM
118	601 00 16 -04	BOLT, BRAKE ARM
119	601 00 14 -51	SPRING PIN
120	601 00 14 -59	PAD, AUGER/IMP
121	601 00 20 -58	BRACKET, PUCK
122	601 00 16 -03	NUT, 1/4-20 RGHEXCTRLK
126	601 00 00 -62	NUT, 1/4-20
127	601 00 05 -60	PULLEY, METAL
128	601 00 20 -59	SH BOLT 1/4-20
129	601 00 00 -17	FLATWASHER
133	601 00 20 -60	SPRING, IDLER
140	601 00 14 -61	LEVER, IDLER ARM TRACTION
141	601 00 00 -73	SCREW, 5/16-18X .75
142	601 00 14 -62	FLATWASHER, .328X1.25X.075
143	601 00 14 -63	BUSHING, IDLER LEVER
144	601 00 14 -64	NUT, 5/16-18 HEXNYL
145	601 00 10 -89	IDLER SPRING
146	601 00 17 -40	SCREW, 3/8-16X1.25
148	601 00 14 -54	PULLEY, IDLER
149	601 00 13 -35	NUT, 3/8-16
160	601 00 14 -65	COVER, BELT
161	601 00 14 -45	SCREW, 1/4-20X .63

FINE COMPONENTS ASSEMBLY

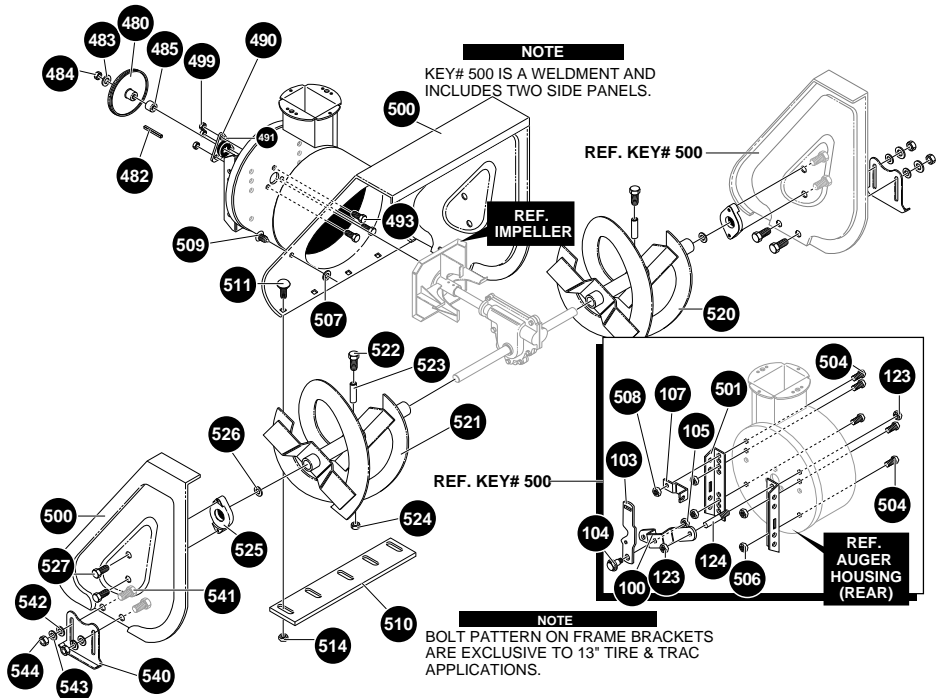


REF NO.	PART NO.	PART NAME	REF NO.	PART NO.	PART NAME
190	601 00 14-66	LEVER, ASSY TRACTION	232	601 00 00-23	WASHER, .328X.60X.09
191	601 00 14-47	BEARING, FLANGE	235	601 00 14-84	WASHER, .502X .75X.0605
192	601 00 09-30	PIN, COTTER	240	601 00 20-32	HEX, ASSY#40-8T
193	601 00 14-67	SPRING, RETURN	243	601 00 20-33	RING, RETEX
195	601 00 14-68	LEVER, SPRING	244	601 00 14-46	FLATWASHER, .53 X1.00X.063
196	601 00 13-74	SCREW, 1/4-20X .63	245	601 00 17-41	BEARING, TRUNION
198	601 00 00-62	NUT, 1/4-20	246	601 00 14-83	WHEEL, ASSY FRICTION
210	601 00 20 -31	DISC, ASSY	247	601 00 13-74	SCREW, 1/4-20X .63
211	601 00 14-70	ZERK, GREASE	249	601 00 17-90	NUT, 1/4-20 HEX KEPS
215	601 00 14-71	SHAFT, HEX TRACTION	250	601 00 14-84	WASHER, .502X .75X.0605
216	601 00 14-72	BEARING, TRUNION	255	601 00 14-79	BEARING & RETAINER
217	601 00 14-46	FLATWASHER, .53 X1.00X.063	256	601 00 05-19	SCREW, 5/16-18X .50
221	601 00 14-74	RING, RETEX	257	601 00 00-23	WASHER, .328X.60X.09
222	601 00 14-75	FLATWASHER .680X1.12X.060	270	601 00 14-79	BEARING & RETAINER
223	601 00 05-39	BEARING, BALL	271	601 00 05-19	SCREW, 5/16-18X .50
224	601 00 14-76	KEY, SQUARE	275	601 00 16-06	JACK, ASSY#41-36T&7T
225	601 00 14-77	PULLEY, V3L 6.50X .56	276	601 00 14-79	BEARING & RETAINER
226	601 00 14-78	WASHER, WAVE	277	601 00 05-19	SCREW, 5/16-18X .50
227	601 00 00-03	FLATWASHER .281X1.00X.063	278	601 00 14-86	CHAIN, ROLLER #42 X 40P
228	601 00 00-14	WASHER, .263X.49X.07			
229	601 00 00-68	SCREW, 1/4-20X .75 HHC			
230	601 00 14-79	BEARING & RETAINER			
231	601 00 05-19	SCREW, 5/16-18X .50			



REF NO.	PART NO.	PART NAME
300	601 00 14-87	CASE, GEAR RH
301	601 00 14-88	CASE, GEAR LH
303	601 00 14-43	SCREW, 5/16-24X1.00
304	601 00 16-62	NUT, 5/16-24
305	601 00 16-07	SCREW, 5/16-24X1.50
306	601 00 14-90	PIPE PLUG
310	601 00 14-91	SEAL, OIL
311	601 00 14-92	BEARING, SLEEVE
312	601 00 14-93	WASHER, FLAT
313	601 00 14-94	SHAFT, AUGER
314	601 00 14-95	GASKET, GEAR BOX
315	601 00 14-96	WORM GEAR
316	601 00 14-97	KEY, WDRF
320	601 00 14-98	RING, QUAD
321	601 00 14-99	BEARING, FLANGE
322	601 00 15-00	FLATWASHER .752X1.24X.093
323	601 00 15-01	BRNG, ROLL
324	601 00 15-00	FLATWASHER .752X1.24X.093
326	601 00 15-02	KEY, HI-PRO
327	601 00 15-03	WORM GEAR
330	601 00 15-04	BRNG, SLEV
340	601 00 15-05	IMPELLER, ASSY

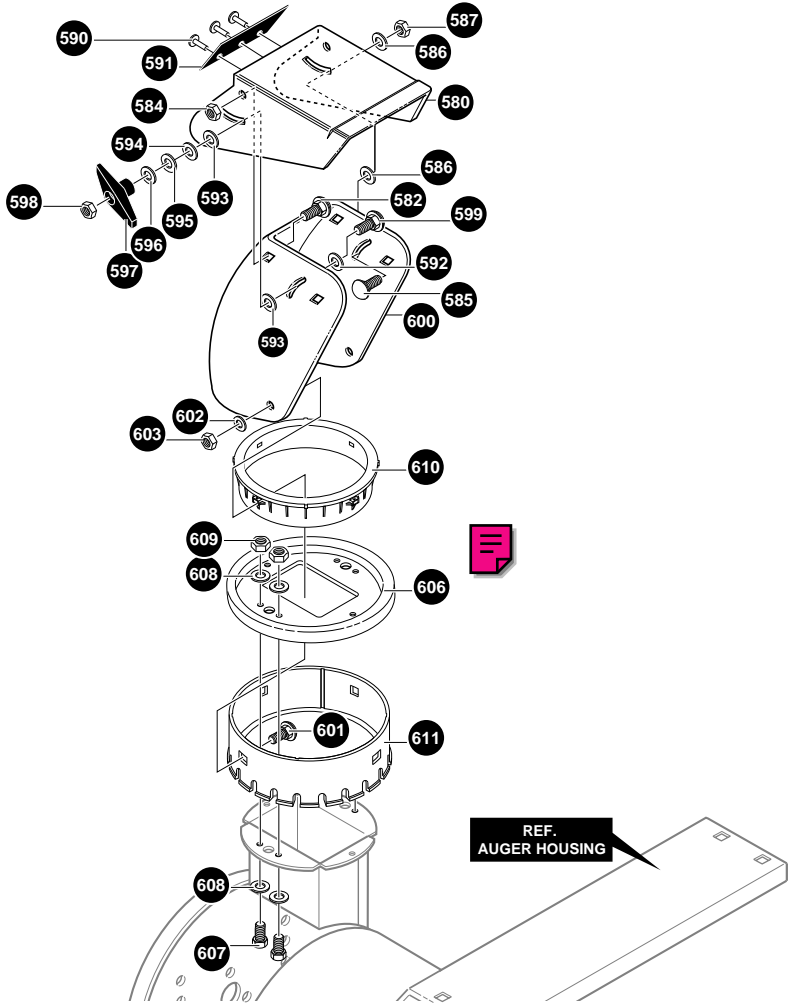
314014D



REF NO.	PART NO.	PART NAME
480	601 00 16-09	PULLEY, V4L 8.40 OD
482	601 00 15-07	KEY, SQUARE
483	601 00 14-46	FLATWASHER .53 X1.00X.063
484	601 00 01-07	NUT, 1/2-20
485	601 00 16-10	SPACER, SLEEVE
490	601 00 15-09	RETAINER, BALL
491	601 00 05-39	BEARING, BALL
493	601 00 00-73	SCREW, 5/16-18X .75
499	601 00 20-36	NUT, 5/16-18
500	601 00 21-73	HSNG, ASSY
100	601 00 20-24	PLATE, CLUTCH ARM MT.
103	601 00 20-57	BRACKET, IDLER
104	601 00 20-26	SH. BOLT 3/8-16
105	601 00 00-60	NUT, 3/8-16 RGHXCTRLK
107	601 00 20-28	BRACKET, CABLE MT.
123	601 00 00-60	NUT, 3/8-16 RGHXCTRLK
124	601 00 17-42	STUD, BRAKE ARM
125	601 00 00-15	WASHER, REGSPTLK
501	601 00 20-35	BRKT, MOUNT
504	601 00 20-61	SCREW 3/8-16X .75

REF NO.	PART NO.	PART NAME
506	601 00 00-60	NUT, 3/8-16
507	601 00 00-19	FLATWASHER
508	601 00 00-60	NUT, 3/8-16
510	601 00 15-14	BLADE, SCRAPER
511	601 00 14-11	BOLT, 5/16-18X.75
514	601 00 20-36	NUT, 5/16-18 HXWDFLLK
520	601 00 18-69	AUGER, ASSY LH
521	601 00 18-70	AUGER, ASSY RH
522	601 00 14-56	SCREW, 1/4-20X1.75
523	601 00 15-17	SPACER, SLEEVE
524	601 00 00-62	NUT, 1/4-20
525	601 00 15-18	AUGER SHAFT BEARING
526	601 00 15-19	FLATWASHER 1.005X1.31X.035
527	601 00 05-20	SCREW, 5/16-18X .75
540	601 00 17-45	SKID, HEIGHT ADJUST
541	601 00 14-11	BOLT, 5/16-18X .75
542	601 00 00-19	FLATWASHER .344X .69X.065
543	601 00 00-23	WASHER, .328X.60X.09
544	601 00 00-12	NUT, 5/16-18 REGHEX

DISCHARGE CHUTE ASSEMBLY



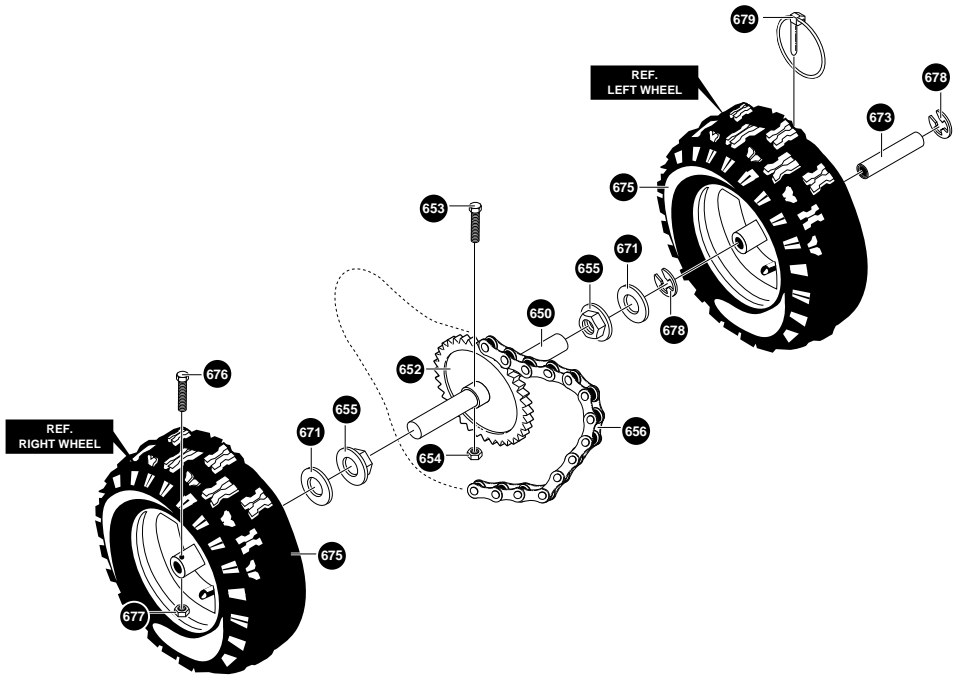
336790E

REF NO.	PART NO.	PART NAME
580	601 00 21-76	CHUTE, UPPER
582	601 00 20-38	SCREW, 5/16-18X .75
584	601 00 14-64	NUT, 5/16-18
585	601 00 20-38	SCREW, 5/16-18X.75
586	601 00 15-24	WASHER, PLASTIC
587	601 00 14-64	NUT, 5/16-18
590	601 00 17-04	RIVET, POP
591	601 00 17-02	SKIRT, CHUTE EXT.
592	601 00 21-26	PLASTIC WASHER
593	601 00 15-24	PLASTIC WASHER
594	601 00 00-19	FLATWASHER
595	601 00 00-23	WASHER, HVSP TLK
596	601 00 00-19	FLATWASHER

REF NO.	PART NO.	PART NAME
597	601 00 06-84	KNOB, T 2 BLADE
598	601 00 00-12	NUT, 5/16-18 REG HEX
599	601 00 08-99	CARR. BOLT 5/16-18X1.00
600	601 00 20-39	CHUTE, LOWER
601	601 00 20-40	BOLT, 5/16-18X1.00
602	601 00 00-19	FLATWASHER .344X .69X.065
603	601 00 14-64	NUT, 5/16-18
606	601 00 20-41	COLLAR, CHUTE
607	601 00 00-68	SCREW, 1/4-20X .75
608	601 00 00-18	FLATWASHER .281X .63X.065
609	601 00 00-62	NUT, 1/4-20

For Husqvarna Parts Call 606-678-9623 or 24" SNOW-TROWER MODEL STY 24 606-561-4983

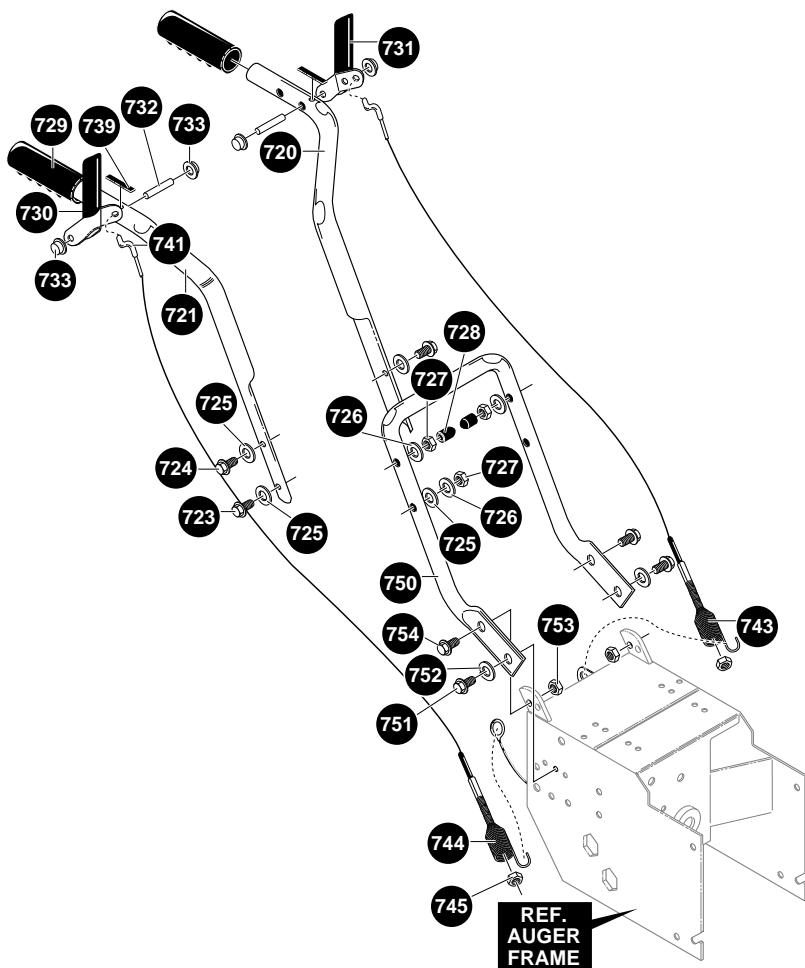
WHEELS ASSEMBLY



REF NO.	PART NO.	PART NAME
650	601 00 15-33	SHAFT, AXLE
652	601 00 15-34	SPRKT & HUB
653	601 00 15-35	SCREW, 1/4-20X2.25
654	601 00 00-62	NUT, 1/4-20
655	601 00 15-36	BRNG, FL
656	601 00 14-86	CHAIN, ROLLER
671	601 00 14-38	FLATWASHER .765X1.12X.06
673	601 00 17-46	BUSHING, WHEEL
675	601 00 15-38	TIRE & RIM
676	601 00 15-39	SCREW, 1/4-20X1.75
677	601 00 00-62	NUT, 1/4-20
678	601 00 15-40	RING, RET
679	601 00 15-41	PIN, KLIK .25 X 1.38 DIA

606-561-4983

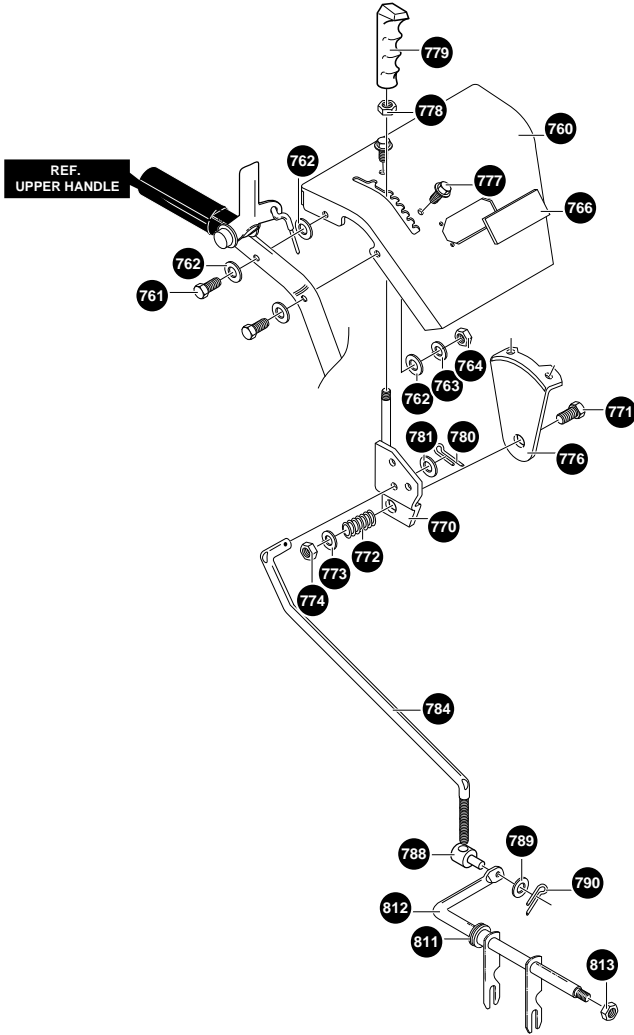
HANDLE ASSEMBLY



REF NO.	PART NO.	PART NAME
720	601 00 15-42	HANDLE, UPPER LH
721	601 00 15-43	HANDLE, UPPER RH
723	601 00 15-55	SCREW, 3/8-16X2.00
724	601 00 15-44	SCREW, 3/8-16X3.00
725	601 00 00-20	WASHER, FLAT .406X .81X.065
726	601 00 00-15	WASHER, .393X.68X.10
727	601 00 00-60	NUT, 3/8-16
728	601 00 15-45	STOP, PLASTIC
729	601 00 15-46	GRIP, HANDLE
730	601 00 20-44	HANDLE-CLUTCH
731	601 00 20-45	HANDLE ASSY CLUTCH

REF NO.	PART NO.	PART NAME
732	601 00 15-49	PIN, PIVOT
733	601 00 05-16	NUT, PUSH ON CAP
739	601 00 15-50	BUMPER, RECT
741	601 00 15-51	CABLE, CLUTCH
743	601 00 15-52	SPRING, TENSION
744	601 00 15-53	SPRING, AUGER CLUTCH
745	601 00 00-62	NUT, 1/4-20 RGHXCTRLK
750	601 00 15-54	HANDLE, LOWER
751	601 00 05-19	SCREW, 5/16-18X .50
752	601 00 00-23	WASHER
753	601 00 00-59	NUT, 5/16-18
754	601 00 05-20	SCREW, 5/16-18X .75

CONTROL PANEL ASSEMBLY

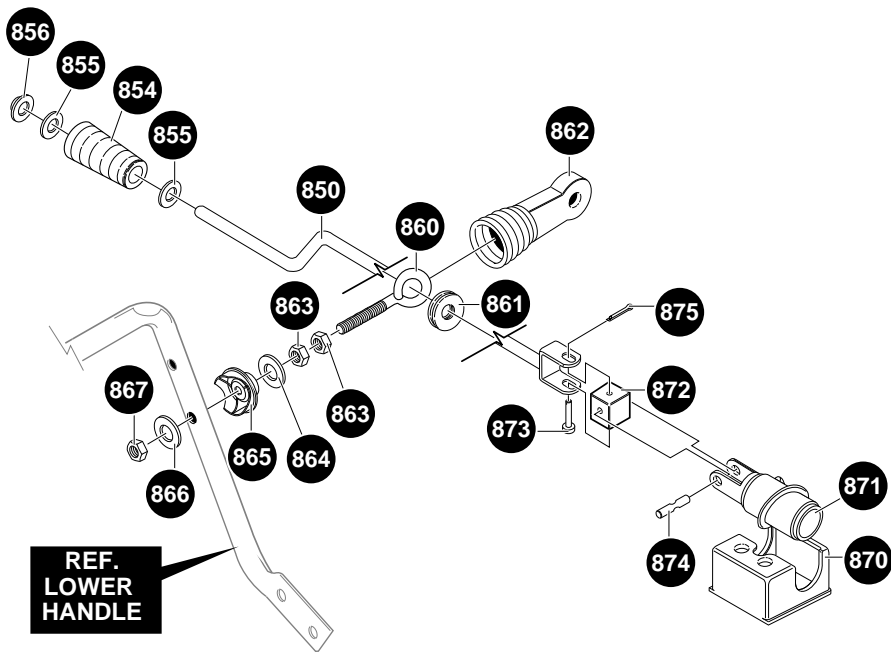


REF NO.	PART NO.	PART NAME
760	601 00 15-56	PANEL,CONTROL
761	601 00 15-57	SCREW, 5/16-18X1.75
762	601 00 00-19	WASHER, FLAT .344X .69X.065
763	601 00 00-23	WASHER,.328X.60X.09
764	601 00 00-12	NUT, 5/16-18 REGHEX
766	601 00 15-58	PLATE, PANEL
770	601 00 15-59	HANDLE, ASSY
771	601 00 15-55	SCREW, 3/8-16X2.00
772	601 00 15-60	SPRING
773	601 00 00-20	WASHER, FLAT .406X .81X.065
774	601 00 06-53	NUT, 3/8-16
776	601 00 20-46	WASHER, FLAT

REF NO.	PART NO.	PART NAME
777	601 00 05-19	SCREW, 5/16-18X .50
778	601 00 00-60	NUT, 3/8-16
779	601 00 02-36	HANDLE 3/8-16
780	601 00 00-25	PIN, COTTER
781	601 00 00-19	FLATWASHER
784	601 00 15-62	ROD, SPEED CONTROL
788	601 00 15-63	NUT, TRUNNION
789	601 00 00-19	FLATWASHER .344X .69X.065
790	601 00 00-25	PIN, COTTER
811	601 00 15-64	BEARING, FLANGE
812	601 00 20-47	ROD, ASSY
813	601 00 00-60	NUT, 3/8-16

606-561-4983

CHUTE CRANK ASSEMBLY

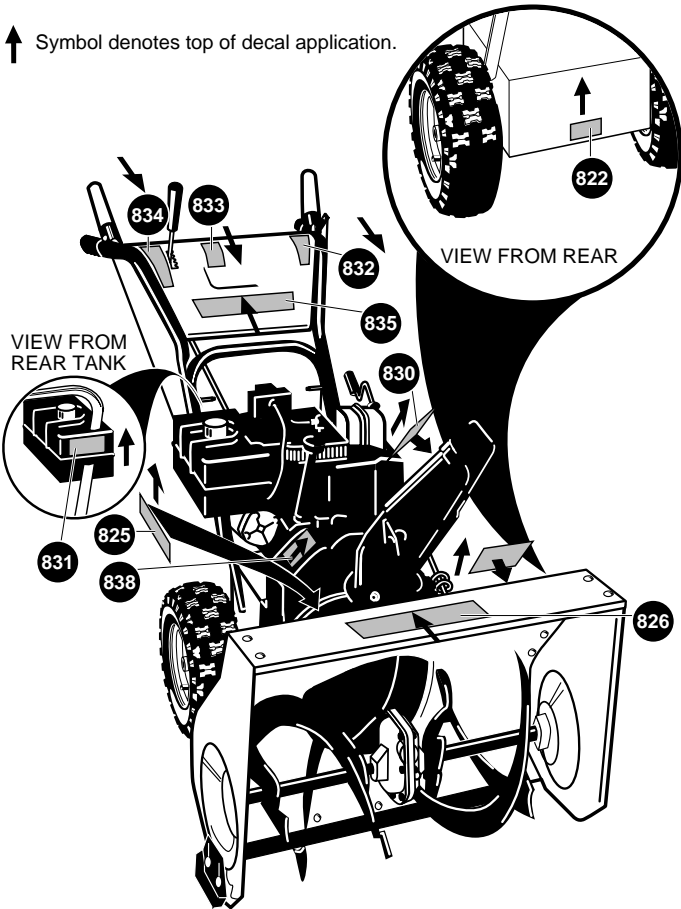


REF NO.	PART NO.	PART NAME
850	601 00 17-49	CRANK, ASSY
854	601 00 20-48	HANDLE, CHUTE CRANK
855	601 00 20-49	FLATWASHER .39X.70X.05
856	601 00 20-50	RETAINING RING
860	601 00 15-70	BOLT, EYE
861	601 00 14-08	GROMMET, EYE BOLT
862	601 00 20-51	BOOT, EYE BOLT
863	601 00 14-09	NUT, 3/8-16
864	601 00 00-20	WASHER, FLAT
	496X.781X.065	

REF NO.	PART NO.	PART NAME
865	601 00 20-52	BOOT, ADAPTER
866	601 00 00-20	WASHER, FLAT .406X .81X.065
867	601 00 06-53	NUT, 3/8-16
870	601 00 18-30	BRKT, WORM
871	601 00 18-31	WORM, GEAR CHUTE
872	601 00 20-53	BLOCK, UNIV PIV
873	601 00 20-54	PIN, CLEVIS
874	601 00 20-55	PIN, UNIV JOINT
875	601 00 18-35	PIN, COTTER

For Husqvarna Parts Call 606-678-9623 or 606-561-4983

DECALS



REF NO.	PART NO.	PART NAME
821	-	NOT A SERVICABLE PART
822	601 00 15-75	DECAL, OVER ADJ OF DISC
824	601 00 15-76	DECAL, DANGER FOOT SYM
825	601 00 15-77	DECAL, DUAL STAGE
826	601 00 21-75	DECAL, HUSQ ST7-24
830	601 00 20-56	DECAL, FINGER FINGER ENG/FR
832	601 00 15-79	DECAL, TRACT DR-CHUTE ROT.
833	601 00 15-82	DECAL, SNOW CONDITIONS E/F
834	601 00 15-83	DECAL, GEAR SELECT/AUG E/F
835	601 00 21-72	DECAL, CONTROL PANEL
838	601 00 15-85	DECAL, BELT STRETCH & ADJ